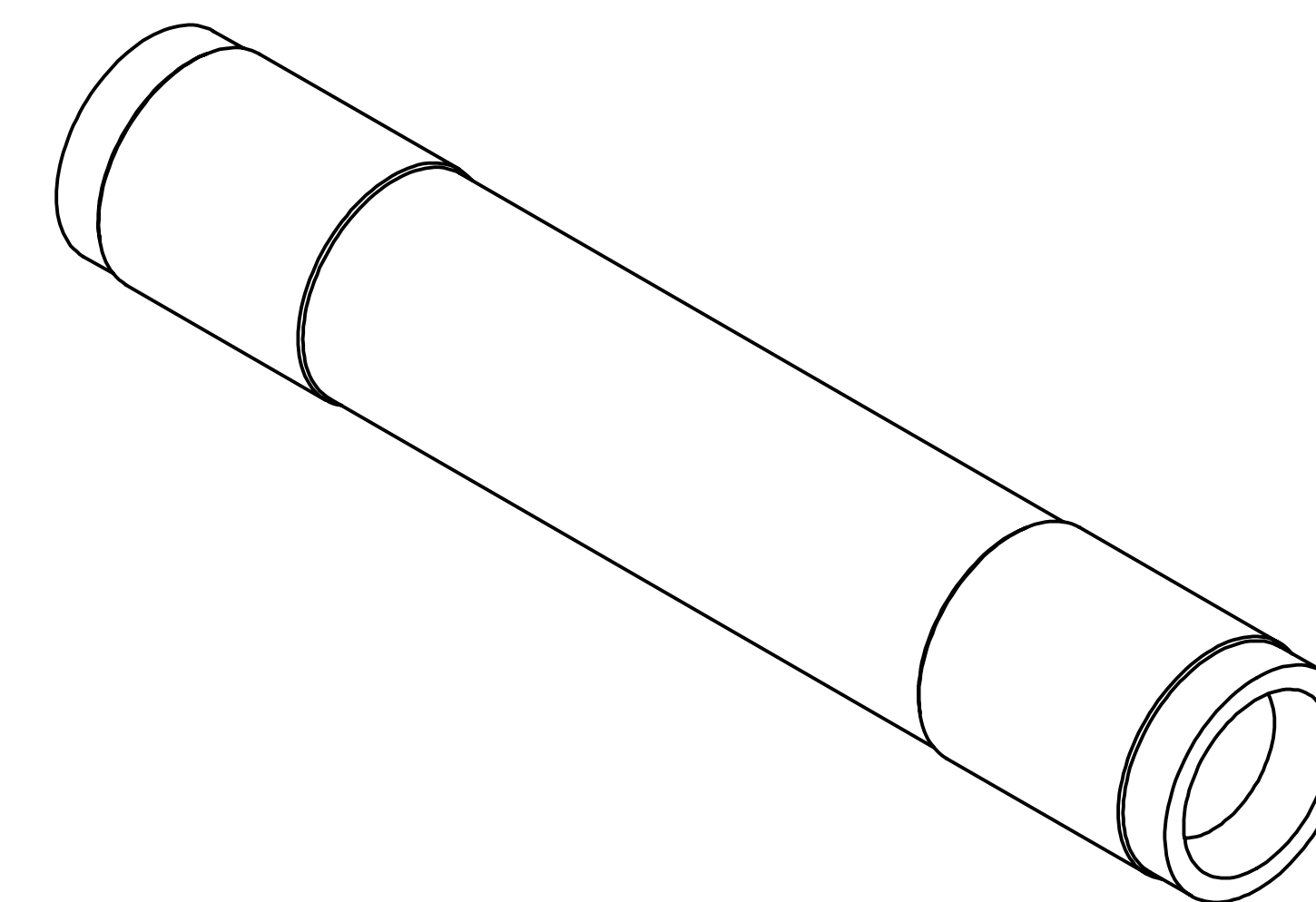
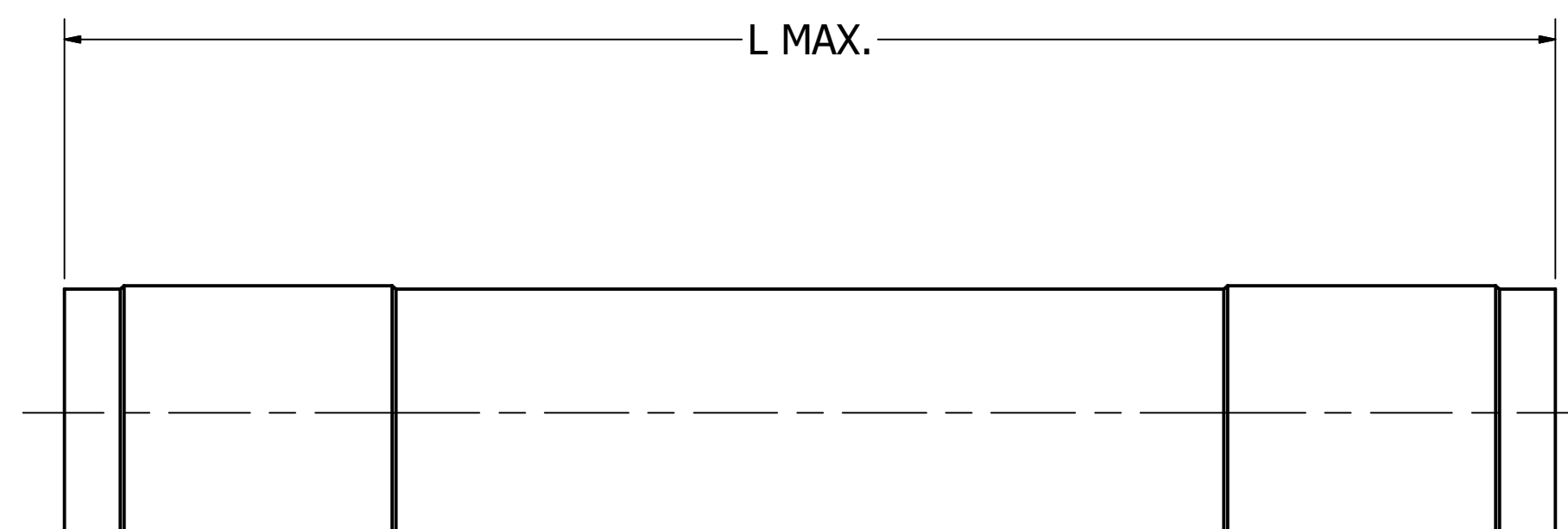


REV	DATE	DESCRIPTION	ECO	BY	C'H'K.
A	12/10/2018	NEW DRAWING CREATION	50449	YR	VS

WIRE SIZE (AWG)	CATALOG NUMBER	L MAX.	MAX. WIRE INSUL. DIA. ACCOM.	WIRE STRIP LENGTH ±.03 [±.8]	COLOR CODE	INSTALLATION TOOLING
22-18 Str. and Sol.	YSES18K	1.00 [25.4]	.11 [2.8]	1/4" [6.4]	RED	MR10G8
16-14 Str. and Sol.	YSES14K		.15 [3.9]		BLUE	
12-10 Str. and Sol.	YSES10K	1.38 [35.1]	.21 [5.3]	31/64" [12.3]	YELLOW	



NOTES:

1. TERMINAL: TIN PLATED COPPER
2. INSULATION: POLYVINYLIDENE FLUORIDE (PVF₂)
3. DIMENSIONS IN BRACKETS [] ARE IN MILLIMETERS AND ARE FOR REFERENCE ONLY.
4. WIRE CONNECTOR:
600V MAXIMUM
OPERATING TEMPERATURE RANGE: -60° TO 150°C
FLAME RATING: UL94 V-0

TO ORDER BURNDY® PRODUCTS CALL		INSULINK	
UNITED STATES 1-800-346-4175 (LONDONDERRY, NH)		ITEM NO: N/A	
CANADA: 1-800-361-6975 (QUEBEC) 1-800-387-6487 (ALL OTHER PROVINCES)		CAT. NO: TYPE YSES-K	
FOR PRODUCT INFO: http://www.burndy.com		DRAWN BY: R.YOGARAJ 12/10/2018	
		CHECKER: V.SAKTHIVEL 12/10/2018	
		DSN APRVL: --	
		MFG APRVL: --	
		QA APRVL: --	
		MKT APRVL: --	
		PROD FAM: --	
		PROJECT #: --	
		SIZE	
		D	
		DRAWING NO	
		50094196	
		REV	
		A	
		SHEET 1 OF 1	