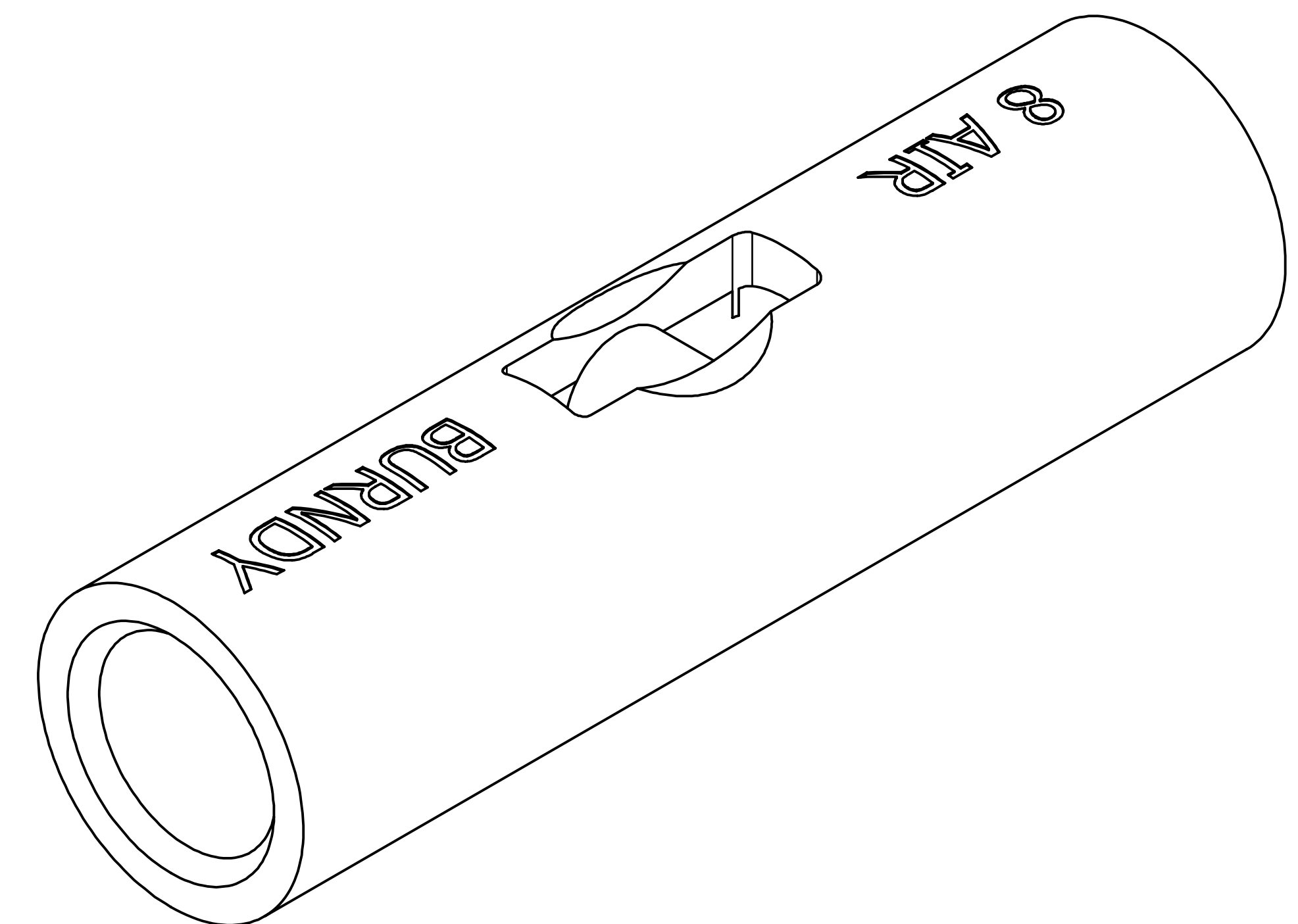
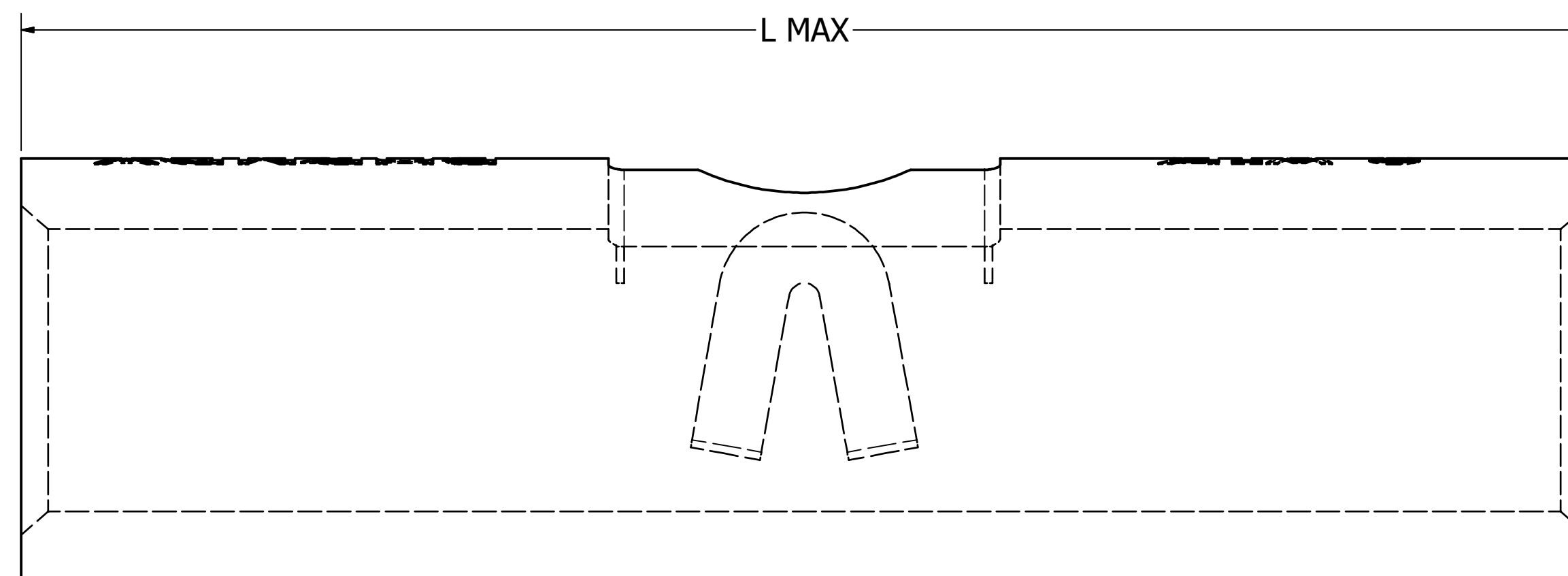


WIRE SIZE (AWG), AN Aircraft	CATALOG NUMBER	BULK CATALOG NUMBER	L MAX.	WIRE STRIP LENGTH ± .03 [± .8]	DIE INDEX
8 Str.	YSV8CLBOX	YSV8CL	1.04 [26.3]	7/16" [11.1]	38
6 Str.	YSV6CLBOX	YSV6CL	1.16 [29.3]	5/8" [15.9]	39
4 Str.	YSV4CLBOX	YSV4CL			40
2 Str.	YSV2CLBOX	YSV2CL			41
1 Str.	YSV1CLBOX	YSV1CL			42
1/0 Str.	YSV25LBOX	YSV25L	1.57 [39.8]	11/16" [17.5]	43
2/0 Str.	YSV26LBOX	YSV26L	1.82 [46.1]	13/16" [20.6]	44
3/0 Str.	YSV27LBOX	YSV27L	1.85 [46.9]		45
4/0 Str.	YSV28LBOX	YSV28L	1.98 [50.2]		46

REV	DATE	DESCRIPTION	ECO	BY	C'H'K.
C	07/29/2020	MU UPDATION	53963	SS	WP



NOTES:

1. TERMINAL: TIN PLATED COPPER
2. DIMENSIONS IN BRACKETS [] ARE IN MILLIMETERS AND ARE FOR REFERENCE ONLY.
3. UL LISTED & CSA CERTIFIED SPLICING WIRE CONNECTORS PER UL486C (FILE E9498) & CSA C22.2 NO.188 REQUIREMENTS (FILE 42860)
4. ADD "BR" SUFFIX TO CATALOG NUMBER FOR A NON-PLATED SPLICE AND A "NK" SUFFIX IS FOR A NICKEL PLATED SPLICE.

TO ORDER BURNDY® PRODUCTS CALL		HYLINK	
UNITED STATES 1-800-346-4175 (LONDONDERRY, NH)		ITEM NO: N/A	
CANADA: 1-800-361-6975 (QUEBEC) 1-800-387-6487 (ALL OTHER PROVINCES)		CAT. NO: TYPE YSV-L	
FOR PRODUCT INFO: http://www.burndy.com		DRAWN BY: P.PRASANTH 12/5/2018	
		CHECKER: V.SAKTHIVEL 12/5/2018	
		DSN APRVL: K.CASTONGAUAY 12/14/2018	
		MFG APRVL: --	
		QA APRVL: B.POST 12/11/2018	
		MKT APRVL: M.BAILLY 12/10/2018	
		PROD FAM: --	
		PROJECT #: --	
		SIZE: D	
		DOCUMENT TYPE: SALES	
		REL LEVEL: Released	
		DRAWING NO: 50094198	
		SHEET 1 OF 1	
		REV: C	