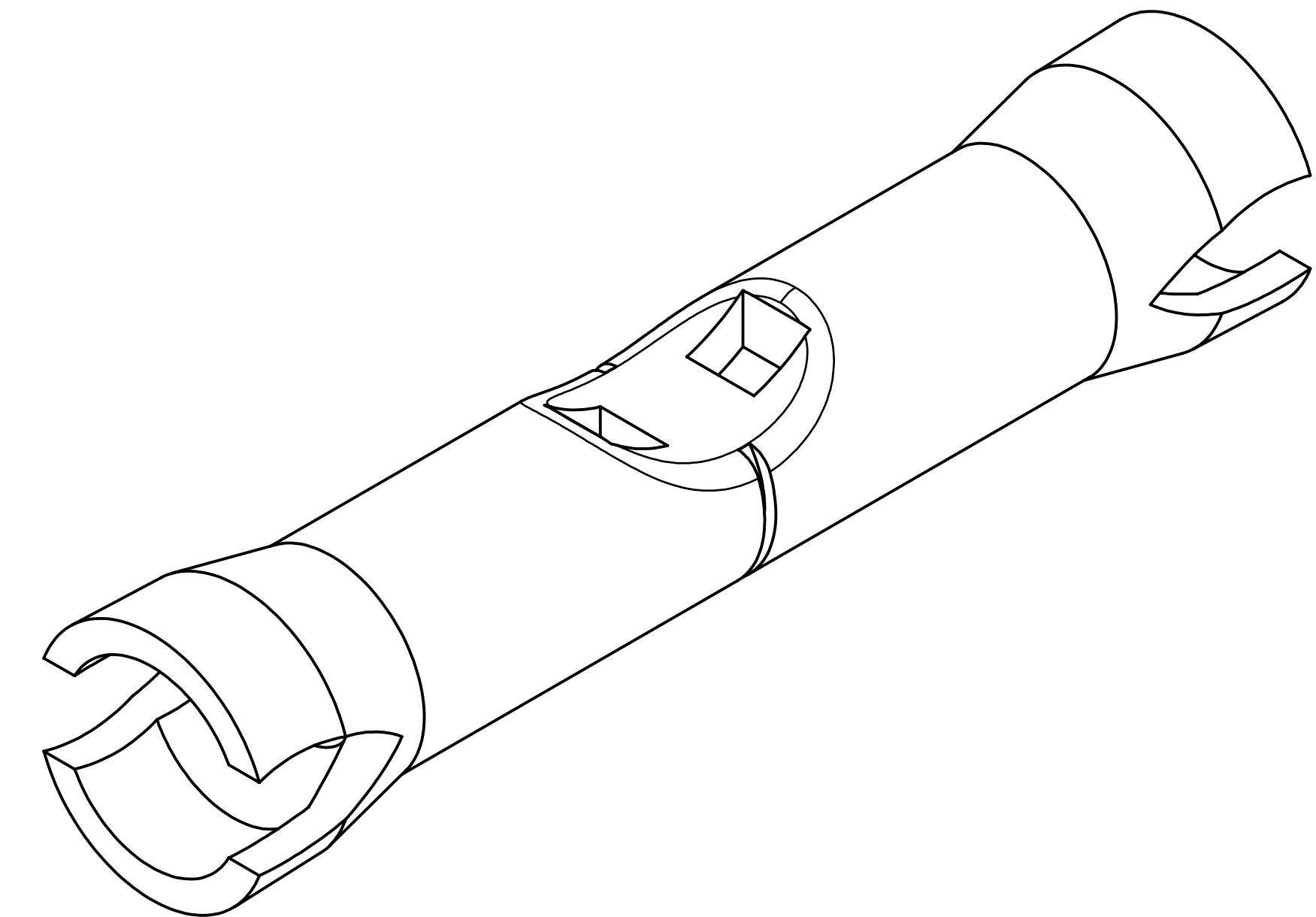
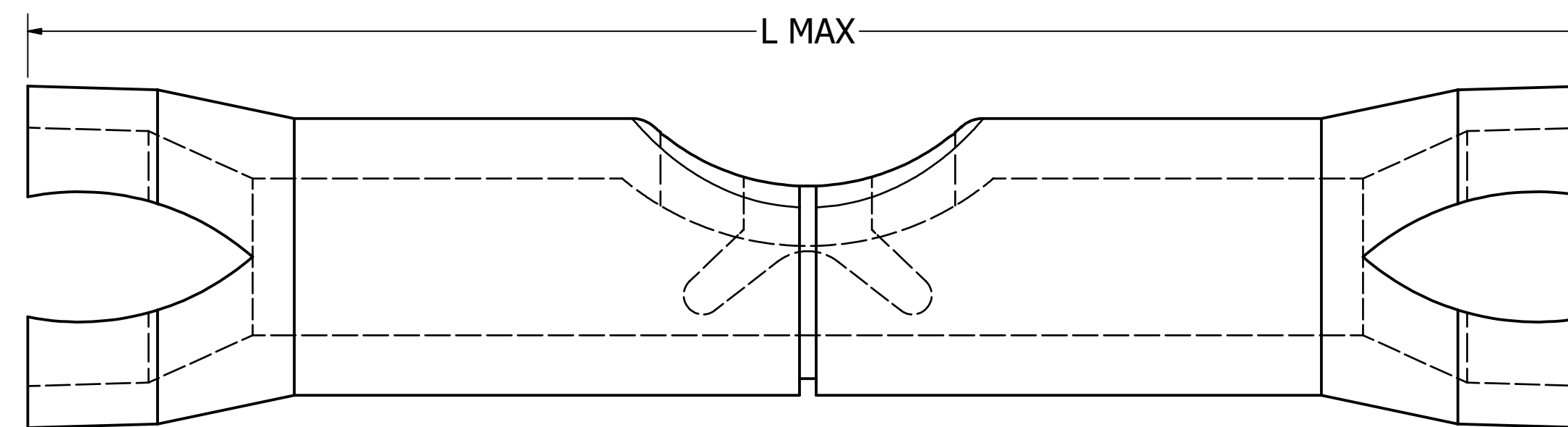


REV	DATE	DESCRIPTION	ECO	BY	C'H'K.
A	12/07/2018	NEW DRAWING CREATION	50452	PP	VS

WIRE SIZE (AWG)	CATALOG NUMBER	BULK CATALOG NUMBER	L MAX.	WIRE STRIP LENGTH ±.03 [±.8]	INSTALLATION TOOLING
22-18 Str. and Sol.	YSV18HBOX	YSV18H	.91 [23.1]	1/4" [6.4]	Y1022, Y8MRB1, Y81KFT, Y81KFTMBH, PAT81KFT18V, MRE1022B, Y122CMR (Wire range is No. 14-10 stranded or solid when crimped with the Y122CMR.)
20-14 Str. and Sol.	YSV14HBOX	YSV14H	1.00 [25.4]		
12-10 Str. and Sol.	YSV10HBOX	YSV10H	1.12 [28.4]	5/16" [7.9]	



NOTES:

1. TERMINAL: TIN PLATED COPPER
2. DIMENSIONS IN BRACKETS [] ARE IN MILLIMETERS AND ARE FOR REFERENCE ONLY.
3. UL LISTED & CSA CERTIFIED SPLICING WIRE CONNECTORS PER UL486C (FILE E9498) & CSA C22.2 NO.188 REQUIREMENTS (FILE 42862)
4. DISCONTINUED TOOLS: PATMD1022LI
CONTACT TECH SERVICE FOR INFORMATION ABOUT APPROVED APPLICATIONS (1-800-451-4956)

TO ORDER BURNDY® PRODUCTS CALL		HYLINK	
UNITED STATES 1-800-346-4175 (LONDONDERRY, NH)		ITEM NO: TYPE YSV-H CAT. NO: N/A	
CANADA: 1-800-361-6975 (QUEBEC) 1-800-387-6487 (ALL OTHER PROVINCES)		DRAWN BY: P.PRASANTH 12/5/2018 CHECKER: V.SAKTHIVEL 12/5/2018 DSN APRVL: K.CASTONGUAY 12/14/2018 MFG APRVL: -- QA APRVL: B.POST 12/11/2018 MKT APRVL: M.BAILLY 12/10/2018 PROD FAM: --	
FOR PRODUCT INFO: http://www.burndy.com		PROJECT #: -- DOCUMENT TYPE: SALES REL LEVEL: Released	