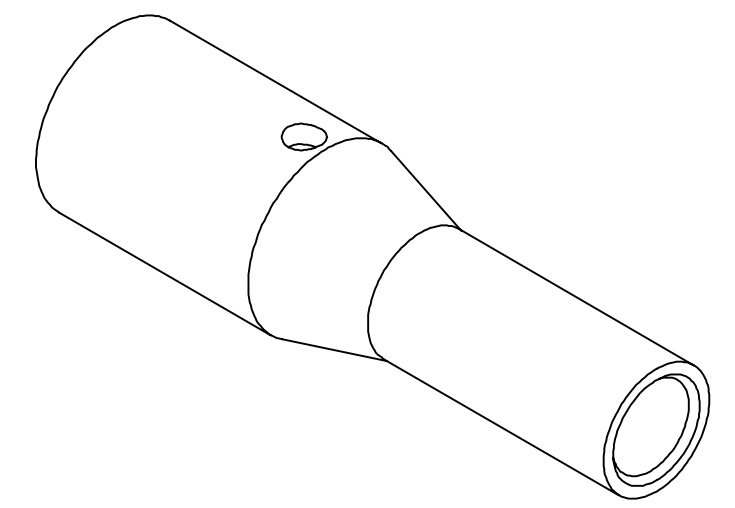
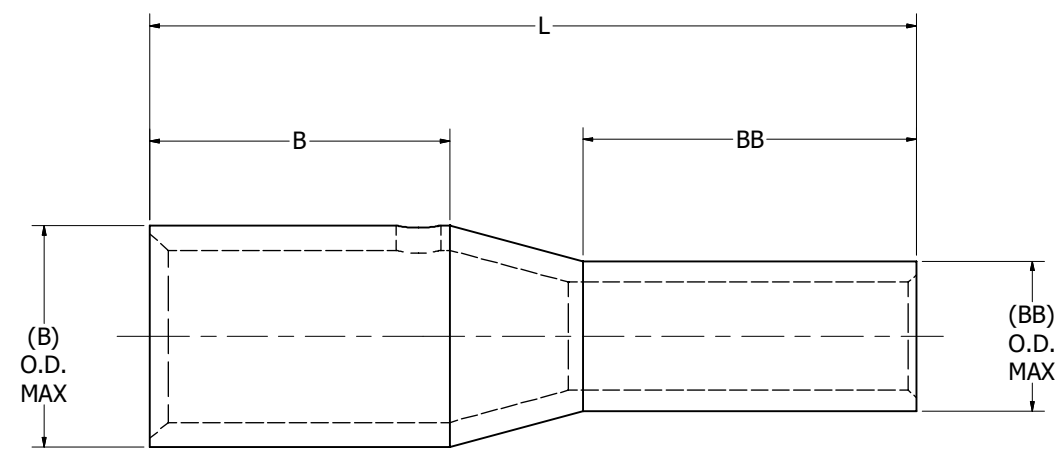


CATALOG NUMBER	B BARREL				BB BARREL				L MAX.
	WIRE SIZE (AWG)	B ±.03 [±.8]	(B) O.D. MAX	DIE INDEX	WIRE SIZE (AWG)	BB ±.03 [±.8]	(BB) O.D. MAX	DIE INDEX	
YSV1418	20-14 Str. and Sol.	.27 [6.8]	.17 [4.3]	■	22-18 Str. and Sol.	.27 [6.8]	.14 [3.6]	■	.63 [15.9]
YSV1214G1	12 Str. and Sol.	.31 [7.9]	.20 [5.1]	■	16-14 Str. and Sol.	.28 [7.1]	.17 [4.3]	■	.84 [21.4]
YSV1014G2	12-10 Str. and Sol.	.31 [7.8]	.22 [5.6]	■	20-14 Str. and Sol.	.38 [9.5]	.16 [4.1]	■	.79 [20.1]
YRV10V12L	12-10. Str. and Sol.	.31 [7.9]	.22 [5.6]	■	12 Str. and Sol.	.32 [8.1]	.19 [4.8]	■	.75 [19.0]
YRV8CV14L	8 Str.	.49 [12.4]	.28 [7.1]	38	20-14 Str. and Sol.	.42 [10.5]	.17 [4.3]	■	1.17 [29.8]
YRV8CV10L	8 Str.	.44 [11.1]	.28 [7.1]	38	12-10 Str. and Sol.	.53 [13.5]	.23 [5.8]	■	1.16 [29.5]
YRV6CV10L	6 Str.	.50 [12.7]	.31 [7.9]	39	10 Str. and Sol.	.53 [13.5]	.23 [5.8]	■	1.26 [31.9]
YRV6CV8CL	6 Str.	.50 [12.7]	.31 [7.9]	39	8 Str.	.53 [13.5]	.27 [6.9]	38	1.20 [30.4]
YRV4CV8CL	4 Str.	.50 [12.7]	.39 [9.9]	40	8 Str.	.61 [15.4]	.28 [7.1]	38	1.31 [33.3]
YRV4CV6CL	4 Str.	.50 [12.7]	.39 [9.9]	40	6 Str.	.53 [13.5]	.31 [7.9]	39	1.25 [31.8]
YRV2CV8CL	2 Str.	.82 [20.7]	.48 [12.2]	41	8 Str.	.56 [14.2]	.28 [7.1]	38	1.85 [47.0]
YRV2CV6CL	2 Str.	.63 [15.9]	.48 [12.2]	41	6 Str.	.61 [15.4]	.32 [8.1]	39	1.61 [41.0]
YRV2CV4CL	2 Str.	.63 [15.9]	.48 [12.2]	41	4 Str.	.66 [16.6]	.39 [9.9]	40	1.52 [38.7]
YRV25V4CL	1/0 Str.	.69 [17.5]	.58 [14.7]	43	4 Str.	.52 [13.1]	.39 [9.9]	40	1.67 [42.5]

REV	DATE	DESCRIPTION	ECO	BY	C'H'K.
C	03/10/2020	UPDATED AS PER MARKUP	53140	SS	YR



**NOTES:**

1. TERMINAL: TIN PLATED COPPER
2. FOR NICKEL PLATED HYREDUCER™ ADD 'NK' SUFFIX TO CATALOG NUMBERS.
3. DIMENSIONS IN BRACKETS [ ] ARE IN MILLIMETERS AND ARE FOR REFERENCE ONLY.

TO ORDER BURNDY® PRODUCTS CALL		HYREDUCER	
UNITED STATES 1-800-346-4175 (LONDONDERRY, NH)		ITEM NO: N/A	
CANADA: 1-800-361-6975 (QUEBEC) 1-800-387-6487 (ALL OTHER PROVINCES)		CAT. NO: TYPE YSV, YRV-L	
FOR PRODUCT INFO: <a href="http://www.burndy.com">http://www.burndy.com</a>		DRAWN BY: R.YOGARAJ 12/12/2018	
		CHECKER: V.SAKTHIVEL 12/12/2018	
		DSN APRVL: --	
		MFG APRVL: --	
		QA APRVL: --	
		MKT APRVL: --	
		PROD FAM: --	
		PROJECT #: --	
		DOCUMENT TYPE: SALES	
		REL LEVEL: Released	
		SIZE	DRAWING NO
		D	50094202
			REV
			C
		SHEET 1 OF 1	