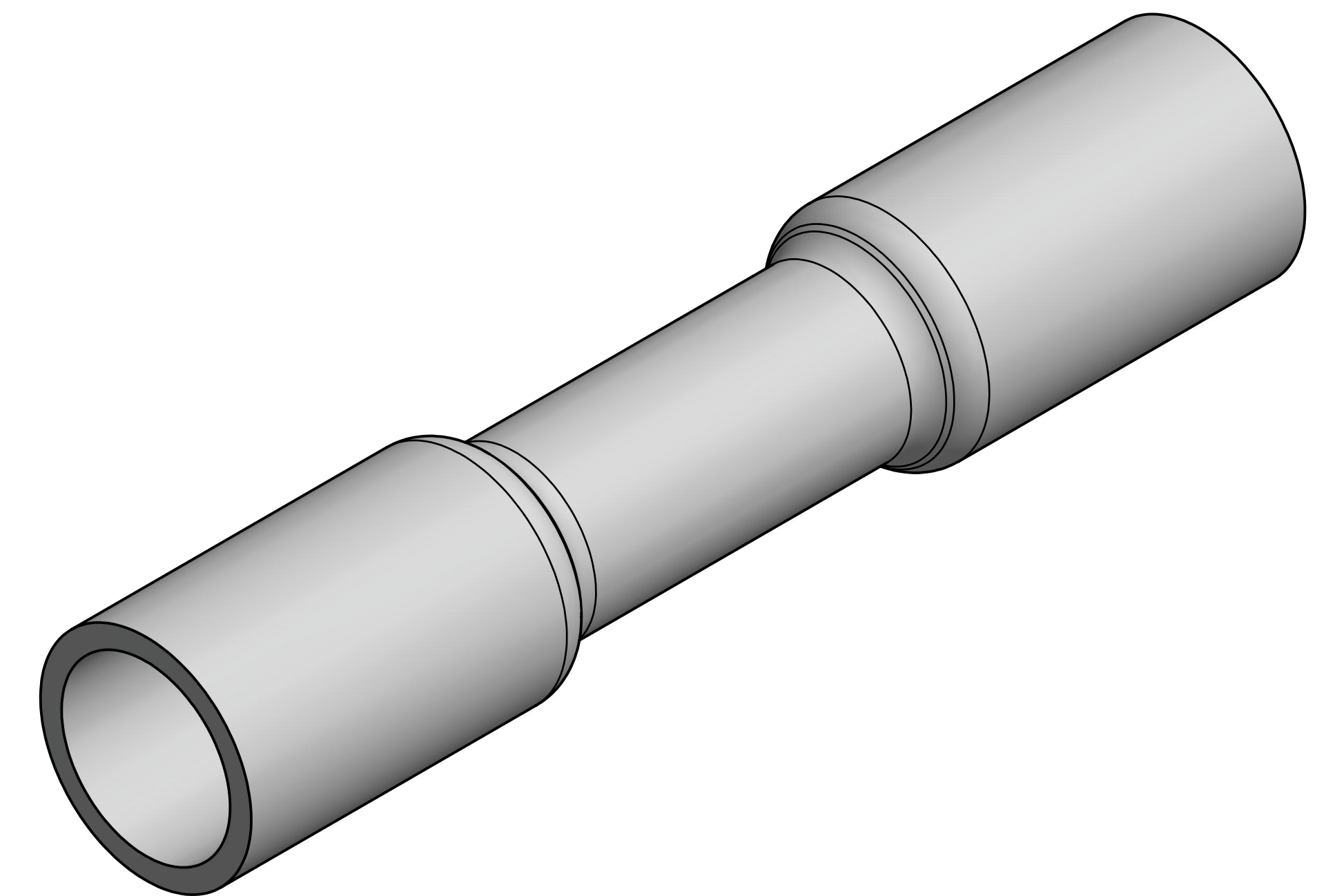
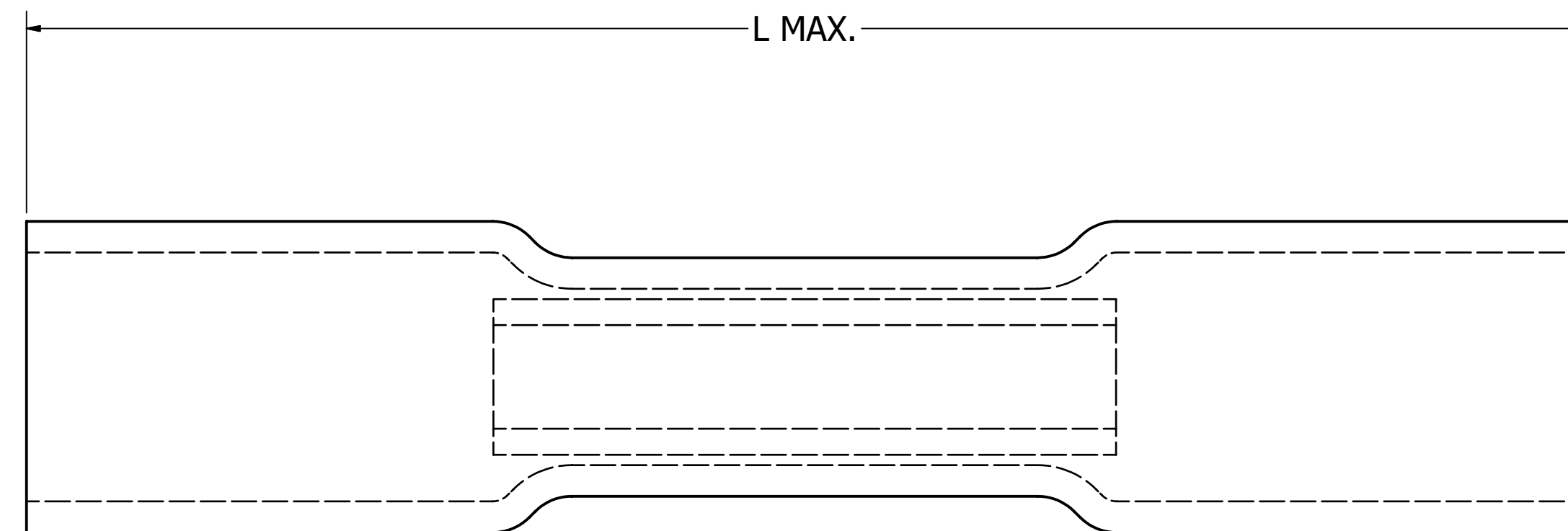


WIRE SIZE (AWG)	CATALOG NUMBER	BULK CATALOG NUMBER	L MAX.	MAX. WIRE INSUL. DIA. ACCOM.	WIRE STRIP LENGTH ± .03 [± .8]	COLOR CODE	INSTALLATION TOOLING
22-18 Str. and Sol.	YHSS18	YHSS18RK	1.50 [38.1]	.18 [4.4]	9/32" [7.1]	RED	MR22
16-14 Str. and Sol.	YHSS14	YHSS14RK		.21 [5.2]	11/32" [8.7]	BLUE	
12-10 Str. and Sol.	YHSS10	YHSS10RK	1.60 [40.6]	.26 [6.6]	23/64" [9.1]	YELLOW	

REV	DATE	DESCRIPTION	ECO	BY	C'H'K.
A	12/06/2018	NEW DRAWING CREATION	50453	RB	VS



**NOTES:**

1. TERMINAL: TIN PLATED COPPER
2. INSULATION: HEAT SHRINK
3. DIMENSIONS IN BRACKETS [ ] ARE IN MILLIMETERS AND ARE FOR REFERENCE ONLY.
4. WIRE CONNECTOR:  
 MINIMUM SHRINK TEMPERATURE: 135°C  
 OPERATING TEMPERATURE RANGE: -55°C TO 110°C

TO ORDER BURNDY® PRODUCTS CALL		HYDENT™	
UNITED STATES 1-800-346-4175 (LONDONDERRY, NH)		ITEM NO: N/A	
CANADA: 1-800-361-6975 (QUEBEC) 1-800-387-6487 (ALL OTHER PROVINCES)		CAT. NO: TYPE YHSS	
FOR PRODUCT INFO: <a href="http://www.burndy.com">http://www.burndy.com</a>		DRAWN BY: RBABU 12/06/2018	
		CHECKER: V.SAKTHIVEL 12/06/2018	
		DSN APRVL: K.CASTONGUAY 12/14/2018	
		MFG APRVL: --	
		QA APRVL: B.POST 12/11/2018	
		MKT APRVL: M.BAILLY 12/11/2018	
		PROD FAM: --	
		PROJECT #: --	
		SIZE	
		D	
		DOCUMENT TYPE: SALES	
		REL LEVEL: Released	
		DRAWING NO	
		50094203	
		SHEET 1 OF 1	
		REV	
		A	