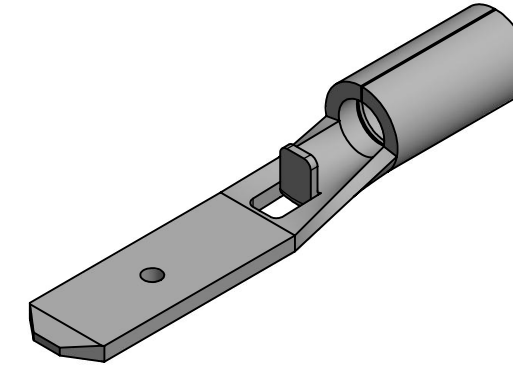
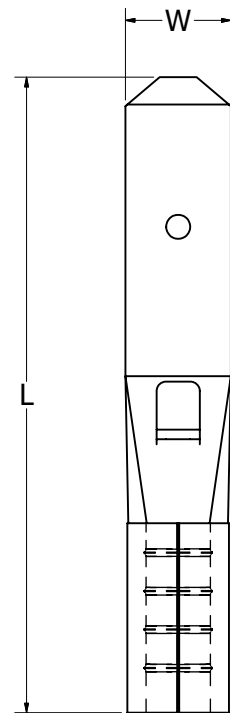


WIRE SIZE (AWG)	CATALOG NUMBER	BULK CATALOG NUMBER	NEMA TUBE SIZE	LENGTH (L)	WIDTH (W)	WIRE STRIP LENGTH ± .03 [± .8]	INSTALLATION TOOLING (ONE CRIMP)
22-18 Str. and Sol.	Q18M11X02D	-	.11 X .02	.66 [16.8]	.11 [2.8]	3/8" [9.5]	MRE1022B, MR20, Y10D, Y1022
	Q18M18X02D	Q18M18X02B	.19 X .02		.19 [4.7]		
	Q18M25X03D	Q18M25X03B	.25 X .03		.25 [6.4]		
16-14 Str. and Sol.	Q14M18X02D	Q14M18X02B	.19 X .02		.19 [4.7]		
	Q14M25X03D	Q14M25X03B	.25 X .03		.25 [6.4]		
12-10 Str. and Sol.	Q10M25X03D	-	.25 X .03				

REV	DATE	DESCRIPTION	ECO	BY	C'H'K.
A	02/18/2019	NEW DRAWING CREATION	50828	RB	VS



**NOTES**

1. TERMINAL: TIN PLATED BRASS
2. DIMENSIONS IN BRACKETS [ ] ARE IN MILLIMETERS AND ARE FOR REFERENCE ONLY.

<p>TO ORDER BURNDY® PRODUCTS CALL</p> <p>UNITED STATES 1-800-346-4175 (LONDONDERRY, NH)</p> <p>CANADA: 1-800-361-6975 (QUEBEC) 1-800-387-6487 (ALL OTHER PROVINCES)</p> <p>FOR PRODUCT INFO: <a href="http://www.burndy.com">http://www.burndy.com</a></p>	<b>FINGRIP</b>			
	ITEM NO: N/A			
	CAT. NO: TYPE Q--M			
	DRAWN BY: R.BABU	02/21/2019		
	CHECKER: S. VENKATESAN	02/18/2019		
	DSN APRVL: K.CASTONGUAY	02/21/2019		
	MFG APRVL: --			
	QA APRVL: B.ELLIOTT	02/21/2019		
	MKT APRVL: M.BAILLY	02/21/2019		
	PROD FAM: --		DRAWING NO	REV
PROJECT #: --	SIZE	50094204	A	
DOCUMENT TYPE: SALES	D	SHEET 1 OF 1		
REL LEVEL: Released				