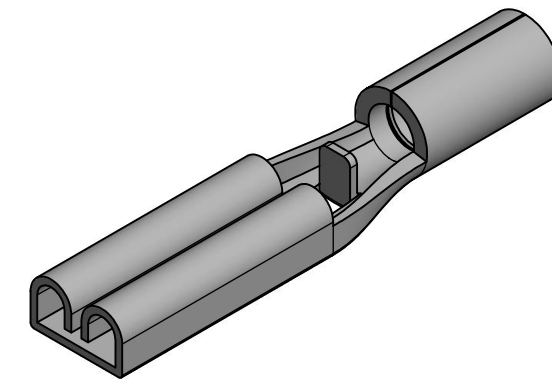
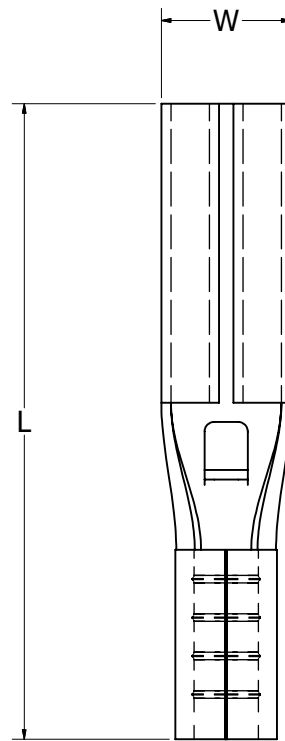


WIRE SIZE (AWG)	CATALOG NUMBER	BULK CATALOG NUMBER	NEMA TAB SIZE	LENGTH (L)	WIDTH (W)	WIRE STRIP LENGTH ± .03 [± .8]	INSTALLATION TOOLING (ONE CRIMP)
22-18 Str. and Sol.	Q18F11X02D	-	.11 X .02	.66 [16.8]	.11 [2.8]	3/8" [9.5]	MRE1022B, Y10D, MR20
	Q18F18X02D	Q18F18X02B	.19 X .02		.19 [4.7]		
	Q18F25X03D	Q18F25X03B	.25 X .03		.25 [6.4]		
16-14 Str. and Sol.	Q14F11X02D	Q14F11X02B	.11 X .02		.11 [2.8]		
	Q14F18X02D	Q14F18X02B	.19 X .02		.19 [4.7]		
	Q14F25X03D	Q14F25X03B	.25 X .03		.25 [6.4]		
12-10 Str. and Sol.	Q10F11X02D	-	.11 X .02		.11 [2.8]		
	Q10F18X02D	-	.19 X .02		.19 [4.7]		
	Q10F25X03D	Q10F25X03B	.25 X .03		.25 [6.4]		

REV	DATE	DESCRIPTION	ECO	BY	C'H'K.
A	02/19/2019	NEW DRAWING CREATION	50830	RB	VS



NOTES:

1. TERMINAL: TIN PLATED BRASS
2. DIMENSIONS IN BRACKETS [] ARE IN MILLIMETERS AND ARE FOR REFERENCE ONLY.

TO ORDER BURNDY® PRODUCTS CALL		FINGRIP	
UNITED STATES		ITEM NO: N/A	
1-800-346-4175 (LONDONDERRY, NH)		CAT. NO: TYPE Q-F	
CANADA:		DRAWN BY: RBABU 02/19/2019	
1-800-361-6975 (QUEBEC)		CHECKER: V.SAKTHIVEL 02/19/2019	
1-800-387-6487 (ALL OTHER PROVINCES)		DSN APRVL: K.CASTONGUAY 02/21/2019	
FOR PRODUCT INFO: http://www.burndy.com		MFG APRVL: --	
		QA APRVL: B.ELLIOTT 02/21/2019	
		MKT APRVL: M.BAILLY 02/20/2019	
		PROD FAM: --	
		DRAWING NO	
		PROJECT #: --	
		SIZE	
		DOCUMENT TYPE: SALES	
		D	
		REL LEVEL: Released	
		50094205	
		SHEET 1 OF 1	
		A	