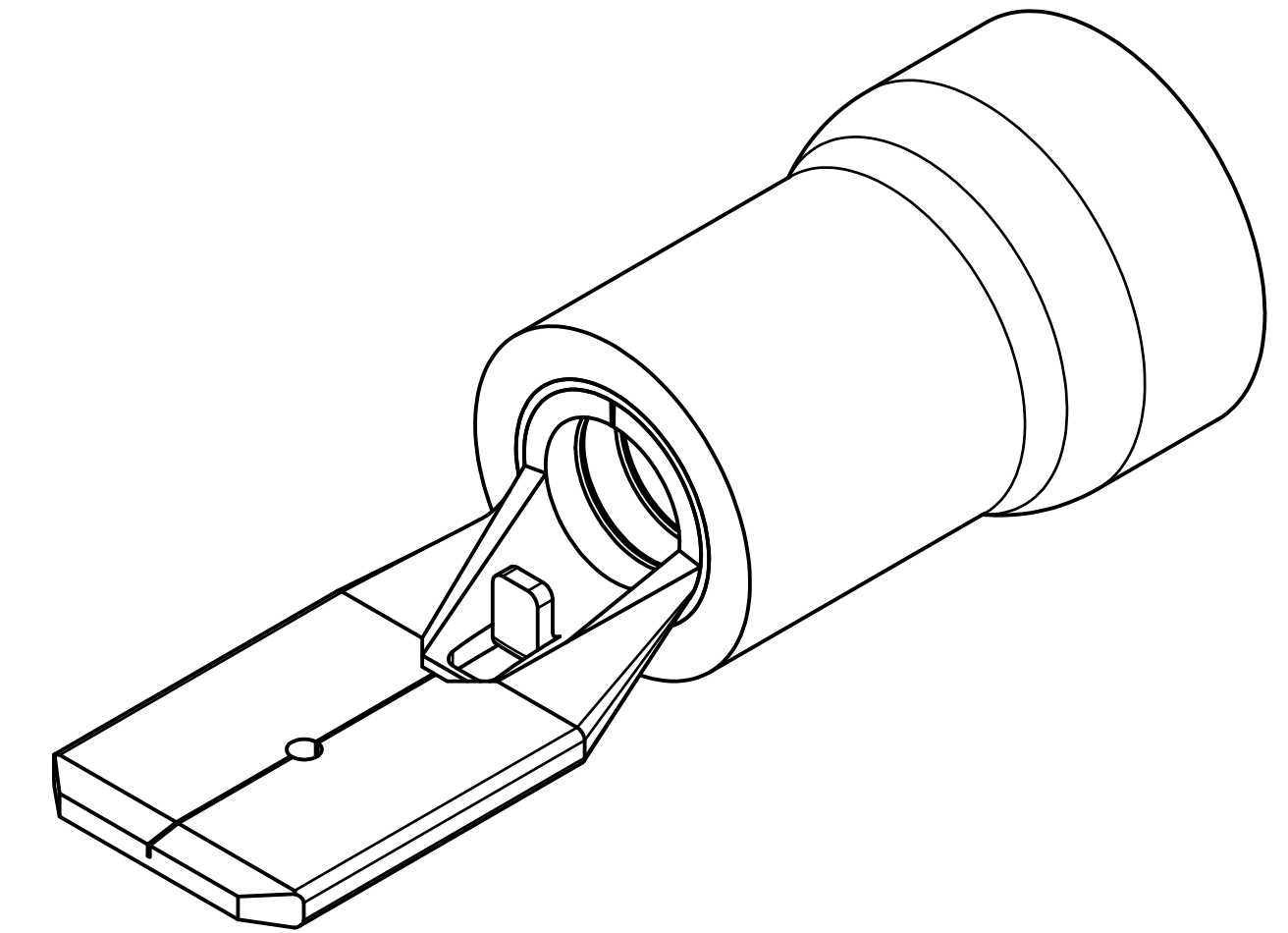
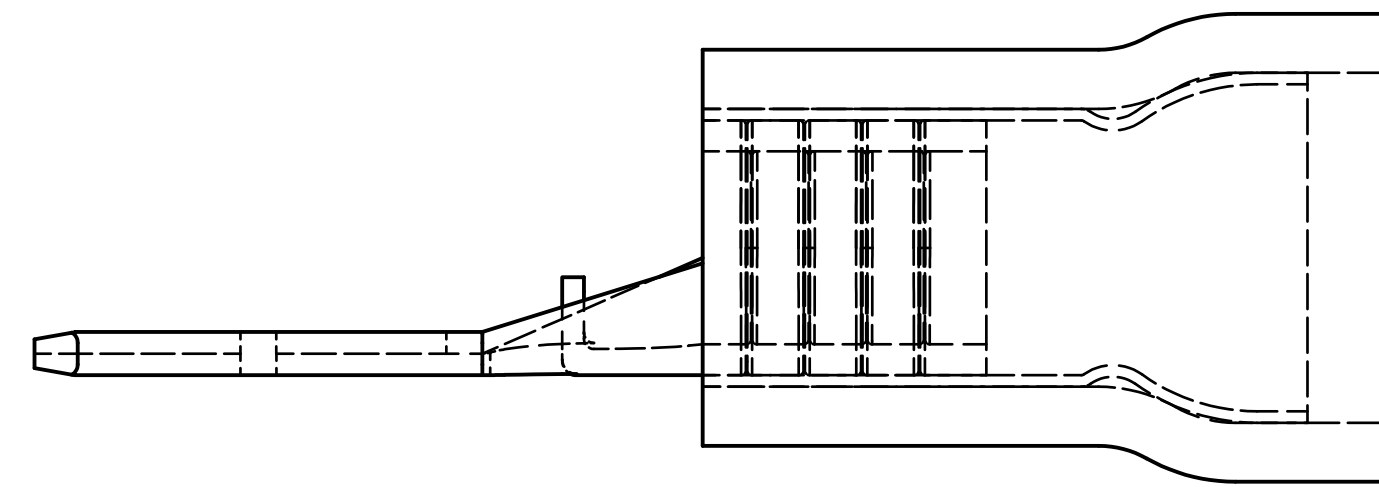
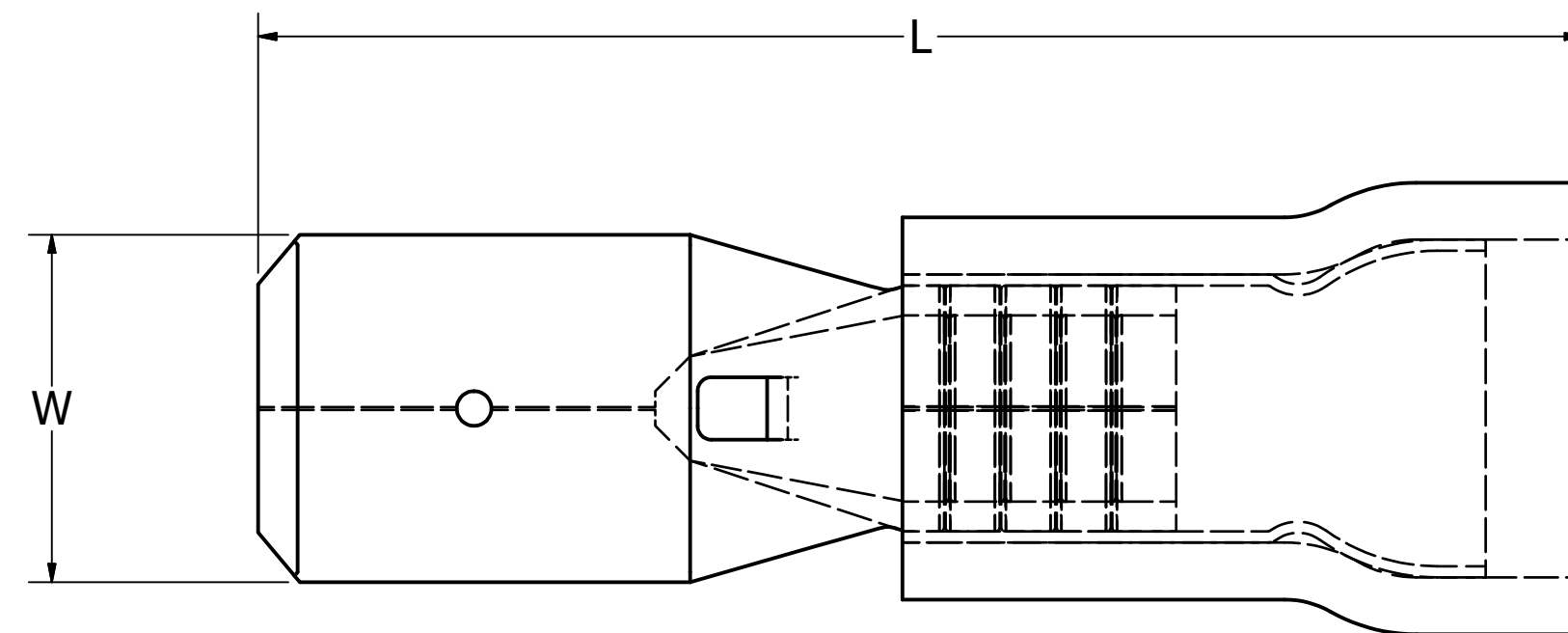


REV	DATE	DESCRIPTION	ECO	BY	C'H'K.
A	03/01/2019	NEW DRAWING CREATION	50933	RB	VS

WIRE SIZE (AWG)	CATALOG NUMBER	BULK CATALOG NUMBER	NEMA Tab Size	LENGTH (L)	WIDTH (W)	WIRE STRIP LENGTH ± .03 [± .8]	COLOR CODE	INSTALLATION TOOLING (ONE CRIMP)
22-16 Str. and Sol.	QP18M11X02D	-	.11 X .02	.76 [19.2]	.11 [2.8]	3/8" [9.5]	RED	MRE1022NV, Y1022, Y10D
	QP18M18X02D	QP18M18X02B	.19 X .02		.19 [4.8]			
	QP18M25X03D	QP18M25X03B	.25 X .03	.84 [21.2]	.25 [6.4]			
16-14 Str. and Sol.	QP14M11X02D	-	.11 X .02	.76 [19.2]	.11 [2.8]		BLUE	
	QP14M18X02D	QP14M18X02B	.19 X .02		.19 [4.7]			
	QP14M25X03D	QP14M25X03B		.84 [21.2]				
12-10 Str. and Sol.	QP10M25X03D	-	.25 X .03	.93 [23.7]	.25 [6.4]	YELLOW		



- NOTES:
1. TERMINAL: TIN PLATED BRASS
  2. INSULATION: POLYVINYLCHLORIDE
  3. DIMENSIONS IN BRACKETS [ ] ARE IN MILLIMETERS AND ARE FOR REFERENCE ONLY.
  4. cULus LISTED ELECTRICAL QUICK-CONNECT TERMINALS PER UL310 (FILE E79563) & CSA C22.2 NO. 153 REQUIREMENTS.
  5. WIRE CONNECTOR:
    - 300V MAXIMUM
    - TEMPERATURE RATING OF INSULATING MATERIAL 75°C
    - FLAME RATING: UL94 V-0

TO ORDER BURNDY® PRODUCTS CALL		FINGRIP	
UNITED STATES 1-800-346-4175 (LONDONDERRY, NH)		ITEM NO: N/A	
CANADA: 1-800-361-6975 (QUEBEC) 1-800-387-6487 (ALL OTHER PROVINCES)		CAT. NO: TYPE QP-M	
FOR PRODUCT INFO: <a href="http://www.burndy.com">http://www.burndy.com</a>		DRAWN BY: RBABU 03/01/2019 CHECKER: V.SAKTHIVEL 03/01/2019 DSN APRVL: K.CASTONGUAY 03/26/2019 MFG APRVL: -- QA APRVL: B.ELLIOTT 03/04/2019 MKT APRVL: M.BAILLY 03/04/2019	
		PROJECT #: -- DOCUMENT TYPE: SALES REL LEVEL: Released	
		SIZE <b>D</b>	REV <b>A</b>