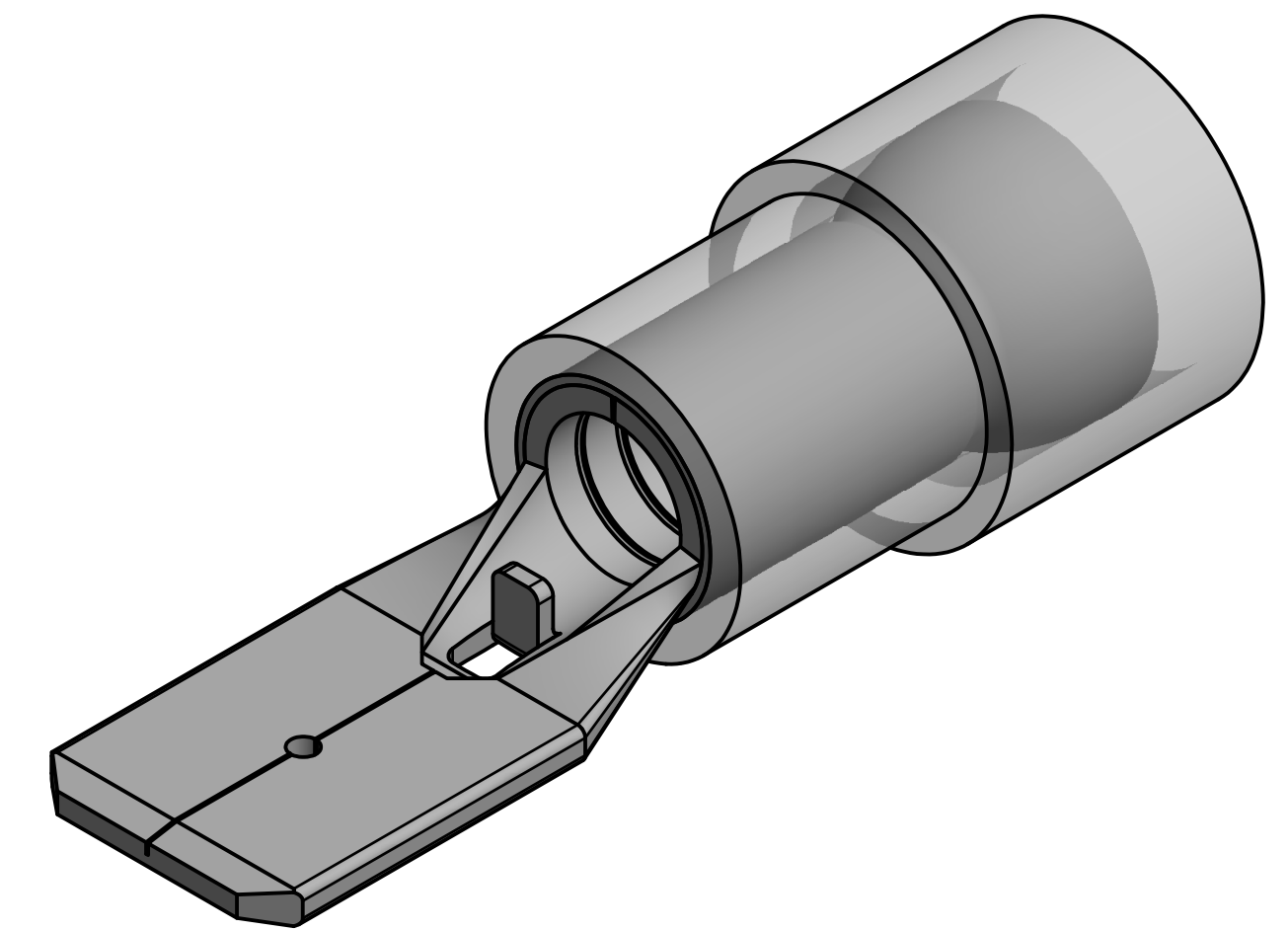
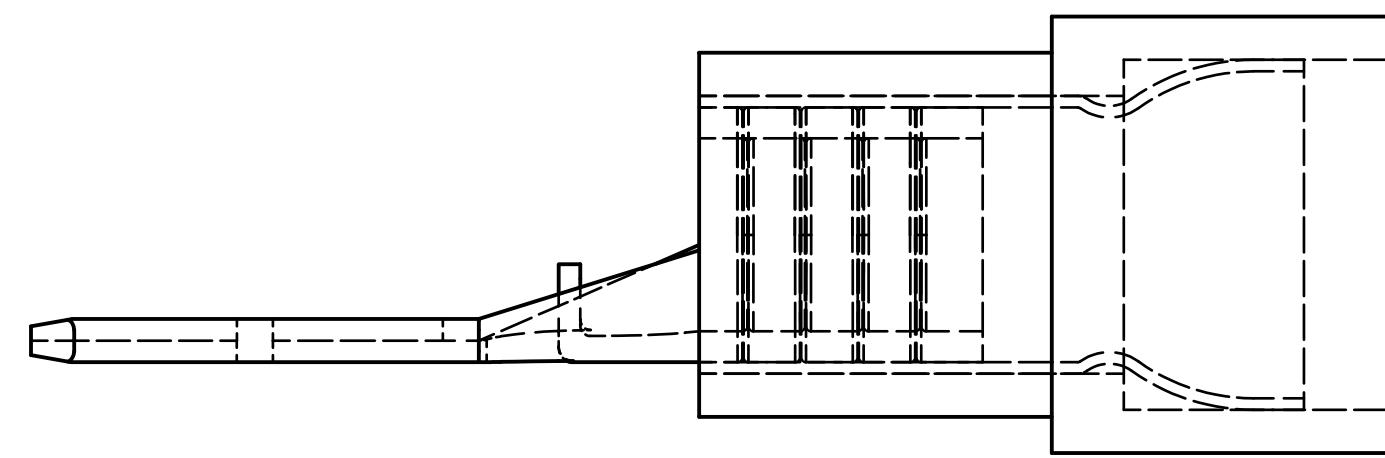
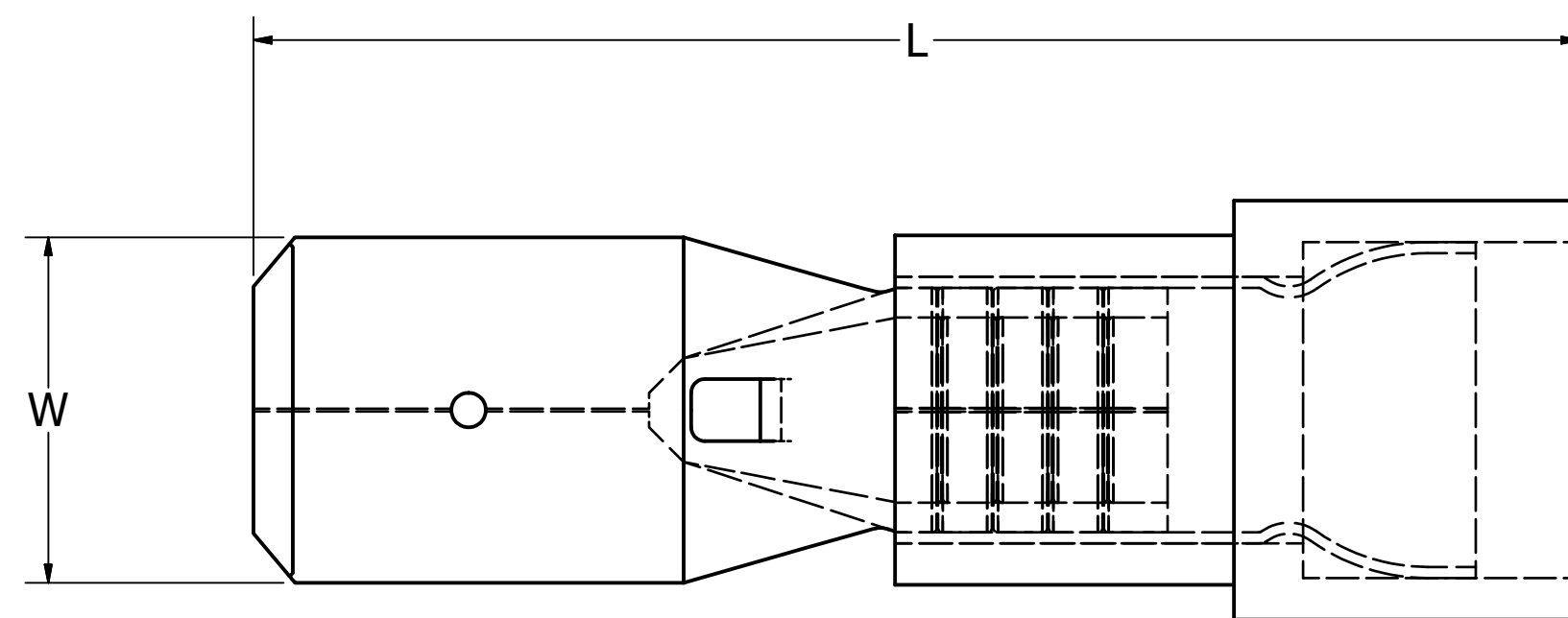


REV	DATE	DESCRIPTION	ECO	BY	C'H'K.
A	03/01/2019	NEW DRAWING CREATION	50934	RB	VS

WIRE SIZE (AWG)	CATALOG NUMBER	BULK CATALOG NUMBER	NEMA Tab Size	LENGTH (L)	WIDTH (W)	WIRE STRIP LENGTH ± .03 [± .8]	COLOR CODE	INSTALLATION TOOLING (ONE CRIMP)
22-16 Str. and Sol.	QN18M18X02D	QN18M18X02B	.19 X .02	.80 [20.3]	.19 [4.7]	3/8" [9.5]	RED	MRE1022NV, Y10D, Y1022
	QN18M25X03D	QN18M25X03B	.25 X .03	.87 [22.1]	.25 [6.4]			
16-14 Str. and Sol.	QN14M18X02D	QN14M18X02B	.19 X .02	.80 [20.3]	.19 [4.7]		BLUE	
	QN14M25X03D	QN14M25X03B		.87 [22.1]				
12-10 Str. and Sol.	QN10M25X03D	-	.25 X .03	.95 [24.1]	.25 [6.4]		YELLOW	



NOTES:

1. TERMINAL: TIN PLATED BRASS
2. INSULATION: NYLON
3. DIMENSIONS IN BRACKETS [] ARE IN MILLIMETERS AND ARE FOR REFERENCE ONLY.
4. WIRE CONNECTOR:
300V MAXIMUM
TEMPERATURE RATING OF INSULATING MATERIAL 105°C
FLAME RATING: UL94 V-2

TO ORDER BURNDY® PRODUCTS CALL		FINGRIP	
UNITED STATES 1-800-346-4175 (LONDONDERRY, NH)		ITEM NO: N/A	
CANADA: 1-800-361-6975 (QUEBEC) 1-800-387-6487 (ALL OTHER PROVINCES)		CAT. NO: TYPE QN-M	
FOR PRODUCT INFO: http://www.burndy.com		DRAWN BY: RBABU 03/01/2019 CHECKER: V.SAKTHIVEL 03/01/2019 DSN APRVL: K.CASTONGUAY 03/26/2019 MFG APRVL: -- 12/30/1899 QA APRVL: B.ELLIOTT 03/12/2019 MKT APRVL: M.BAILLY 03/13/2019	
		PROJECT #: -- DOCUMENT TYPE: SALES REL LEVEL: Released	
		SIZE D	REV A