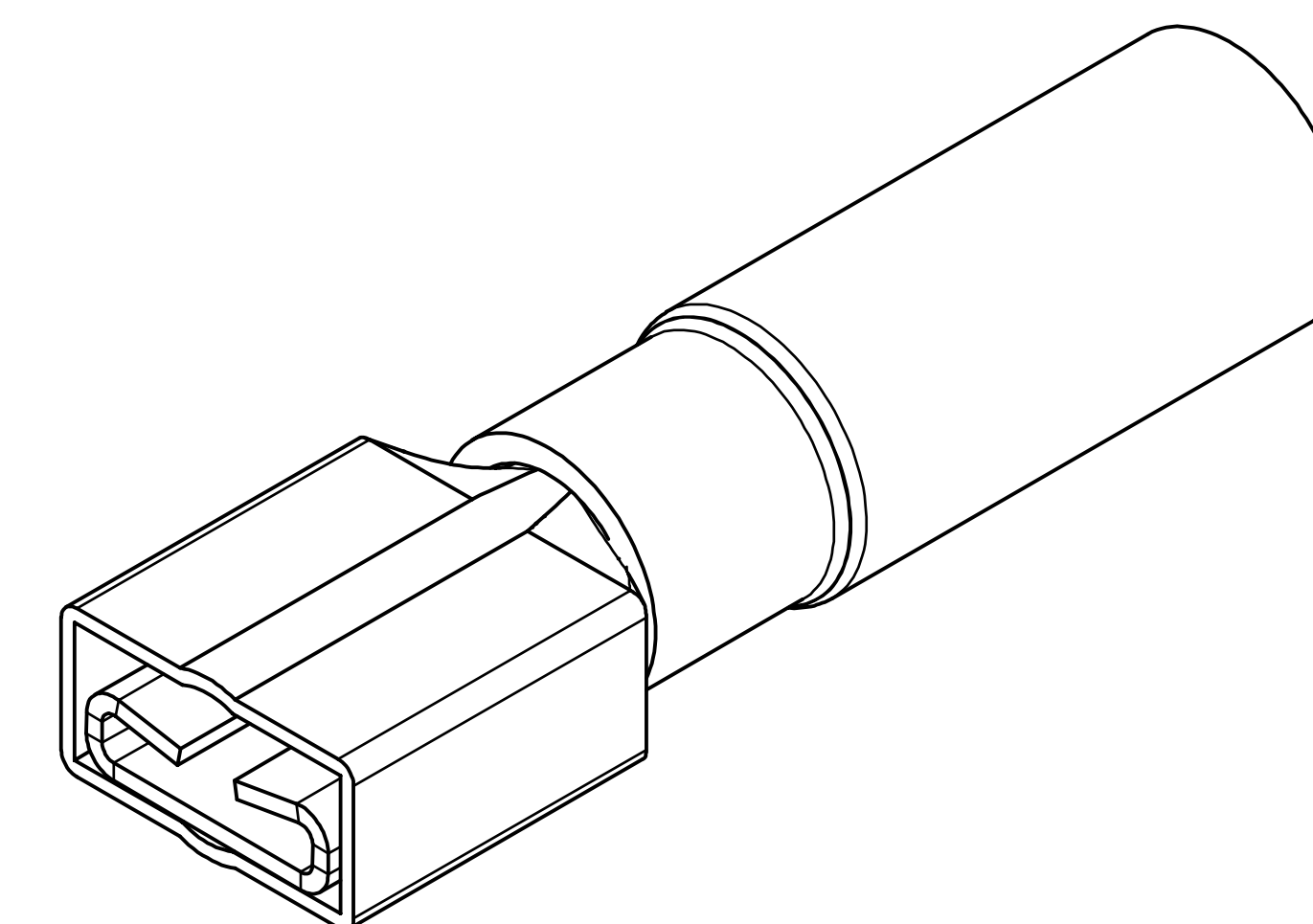
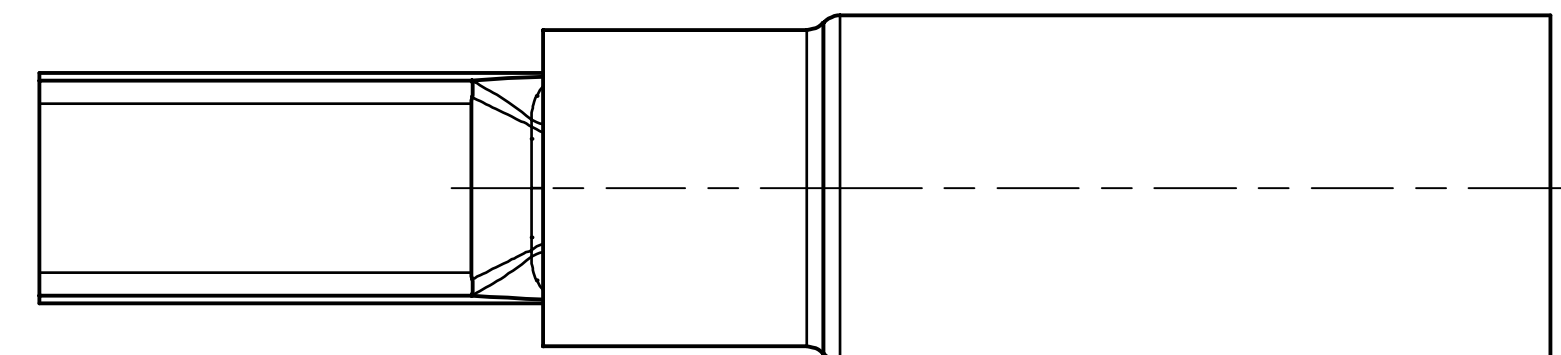
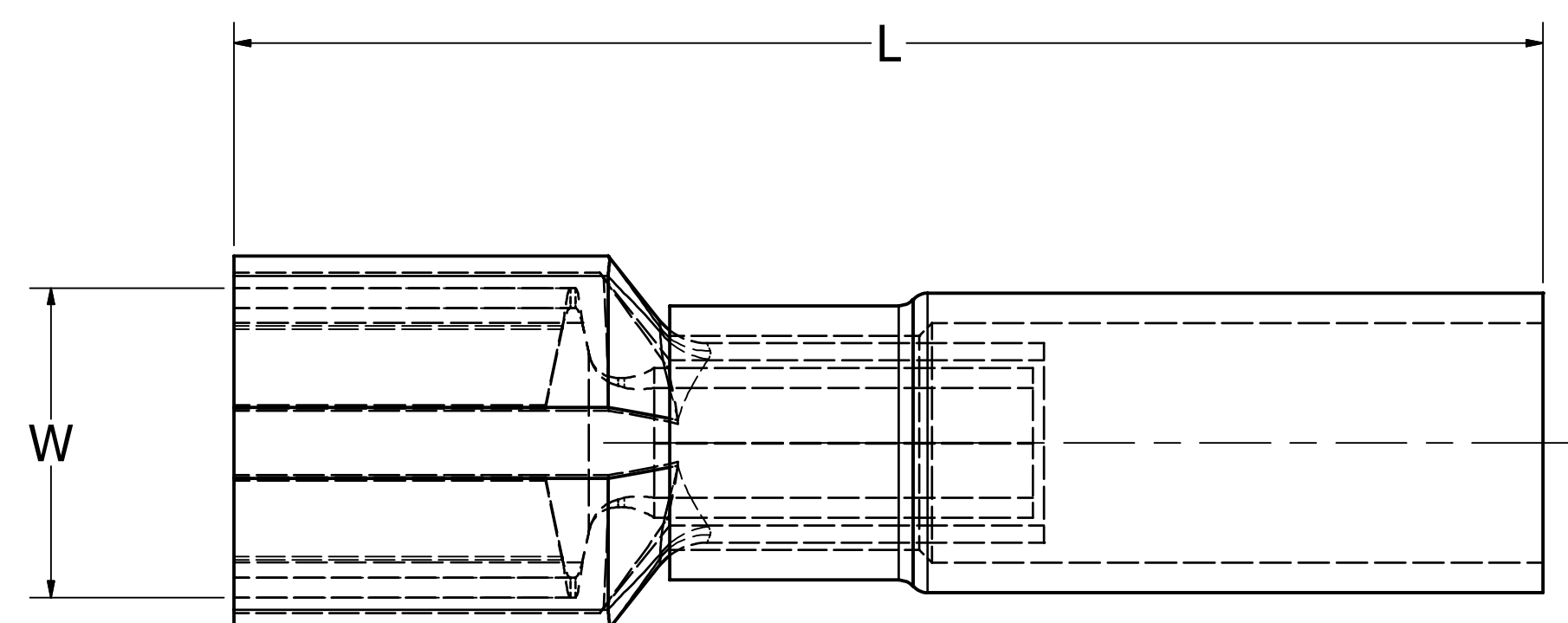


REV	DATE	DESCRIPTION	ECO	BY	C'H'K.
A	03/05/2019	NEW DRAWING CREATION	50968	YR	VS

WIRE SIZE (AWG)	CATALOG NUMBER	BULK CATALOG NUMBER	NEMA Tab Size	LENGTH (L)	WIDTH (W)	WIRE STRIP LENGTH ±.03 [±.8]	COLOR CODE	INSTALLATION TOOLING (ONE CRIMP)
22-18 Str. and Sol.	YHSFQ18F25X03	YHSFQ18F25X03RK	.25 X .03	1.28 [32.5]	.25 [6.4]	5/16" [7.9]	RED	MR22
16-14 Str. and Sol.	YHSFQ14F25X03	YHSFQ14F25X03RK					BLUE	
12-10 Str. and Sol.	YHSFQ10F25X03	YHSFQ10F25X03RK		YELLOW				



NOTES:

1. TERMINAL: TIN PLATED BRASS
2. INSULATION: HEAT SHRINK
3. DIMENSIONS IN BRACKETS [ ] ARE IN MILLIMETERS AND ARE FOR REFERENCE ONLY.
4. WIRE CONNECTOR:  
 MINIMUM SHRINK TEMPERATURE: 135°C  
 OPERATING TEMPERATURE RANGE: -55°C TO 110°C

TO ORDER BURNDY® PRODUCTS CALL		HYDENT	
UNITED STATES 1-800-346-4175 (LONDONDERRY, NH)		ITEM NO: N/A	
CANADA: 1-800-361-6975 (QUEBEC) 1-800-387-6487 (ALL OTHER PROVINCES)		CAT. NO: TYPE YHSFQ-F	
FOR PRODUCT INFO: <a href="http://www.burndy.com">http://www.burndy.com</a>		DRAWN BY: R.YOGARAJ 03/05/2019	
		CHECKER: S.VENKATESAN 03/05/2019	
		DSN APRVL: --	
		MFG APRVL: --	
		QA APRVL: --	
		MKT APRVL: --	
		PROD FAM: --	
		PROJECT #: --	
		SIZE	
		D	
		DRAWING NO	
		50094215	
		REV	
		A	
		SHEET 1 OF 1	