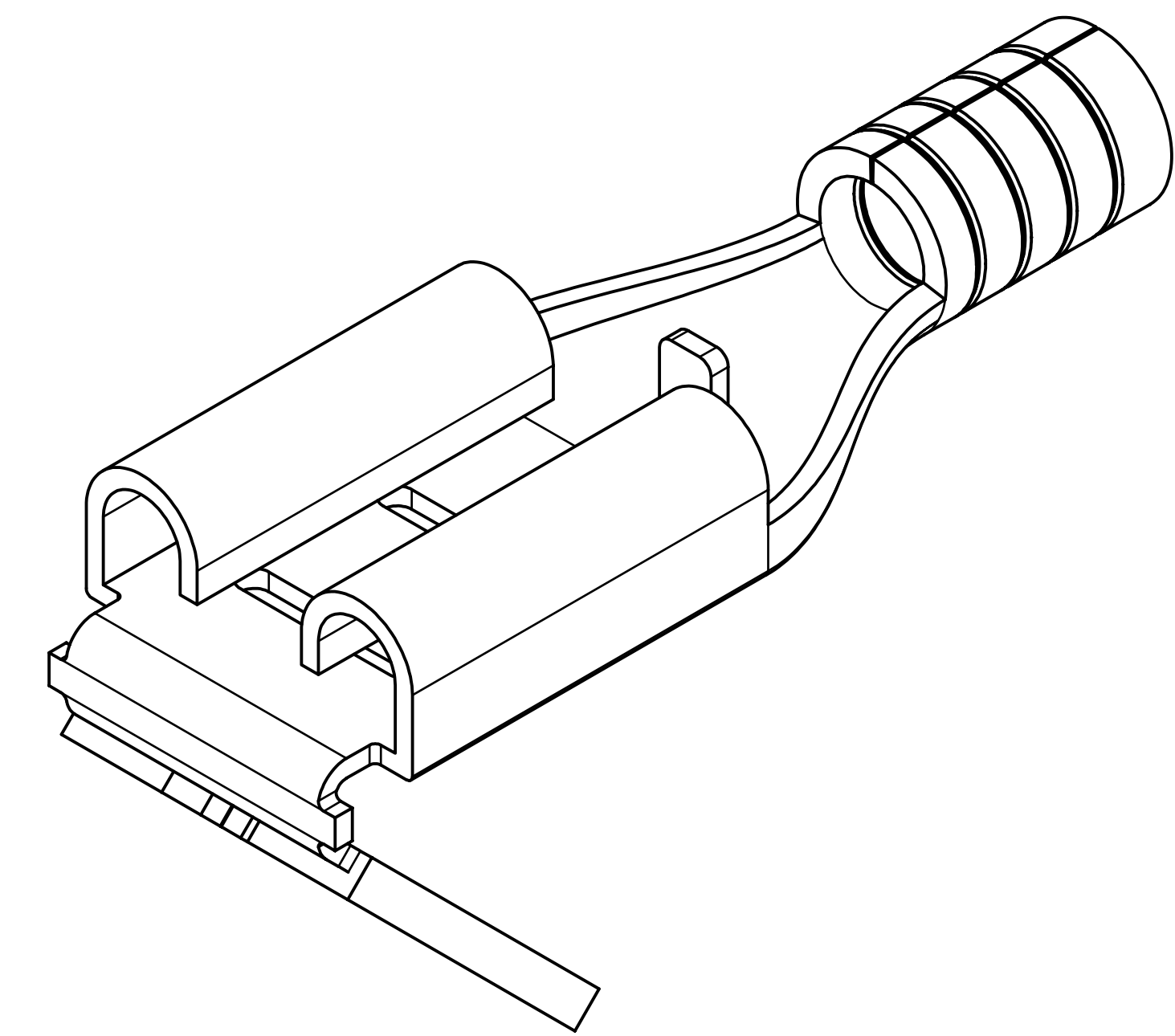
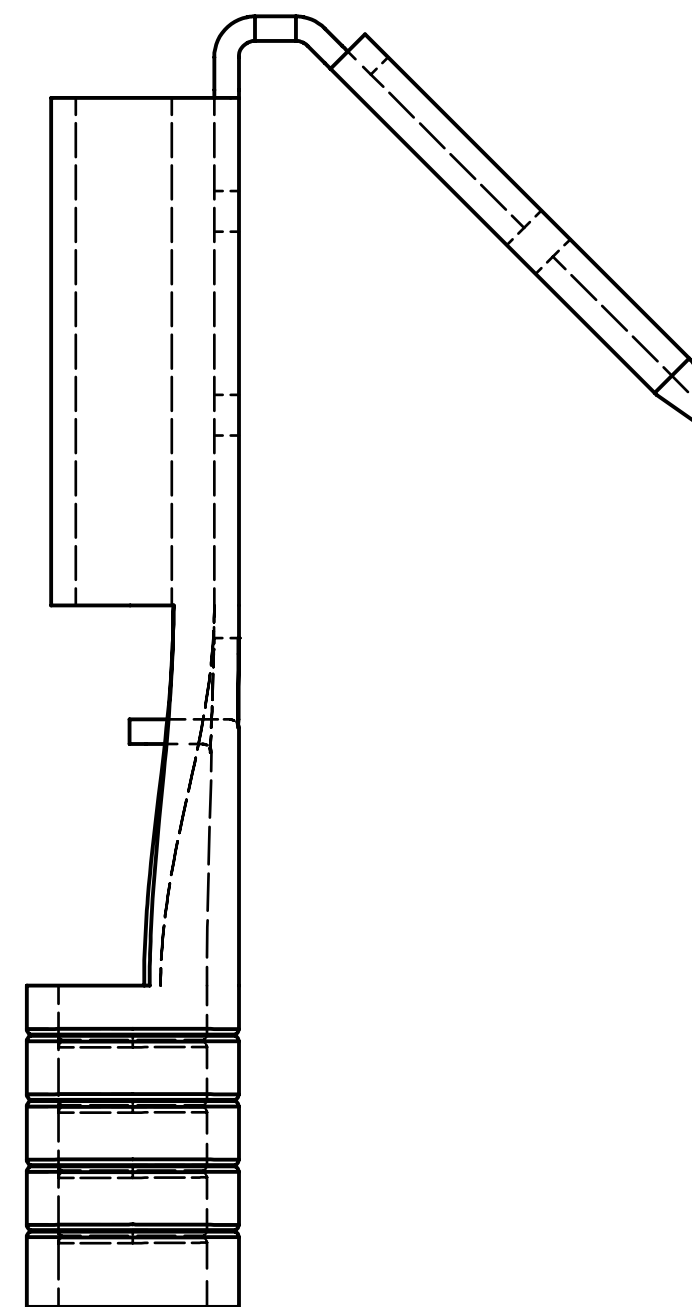
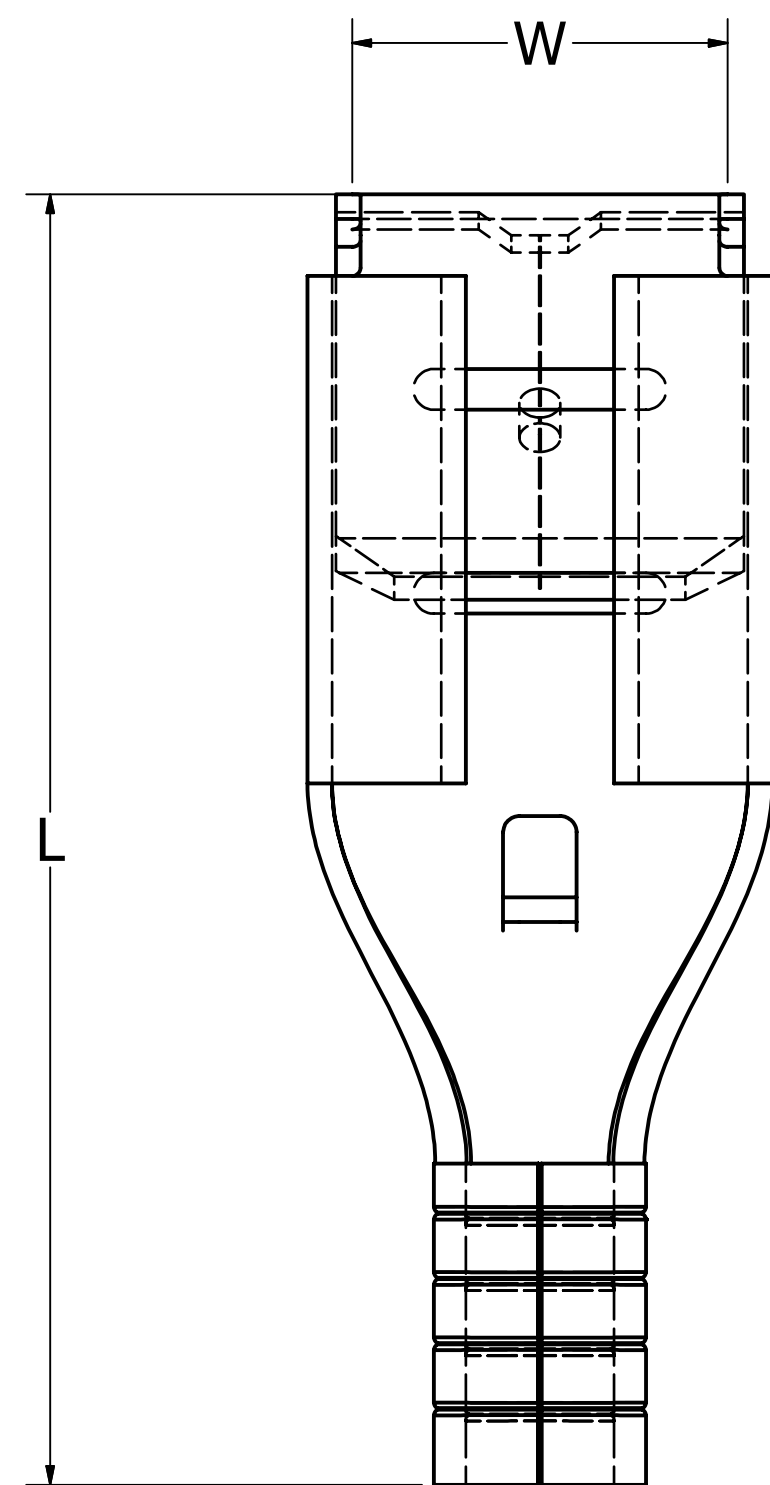


REV	DATE	DESCRIPTION	ECO	BY	C'H'K.
A	02/15/2019	NEW DRAWING CREATION	50839	PP	WP

WIRE SIZE (AWG)	CATALOG NUMBER	NEMA Tab Size	LENGTH (L)	WIDTH (W)	WIRE STRIP LENGTH $\pm .03$ [$\pm .8$]	INSTALLATION TOOLING (ONE CRIMP)
22-18 Str. and Sol.	PG1825X03D	.25 X .03	.79 [20.1]	.25 [6.4]	3/8" [9.5]	MRE1022B, Y10D, Y1022
16-14 Str. and Sol.	PG1425X03D					
12-10 Str. and Sol.	PG1025X03D		.89 [22.6]			



NOTES:

1. TERMINAL: TIN PLATED COPPER
2. DIMENSIONS IN BRACKETS [] ARE IN MILLIMETERS AND ARE FOR REFERENCE ONLY.

TO ORDER BURNDY® PRODUCTS CALL		UNINSULATED PIGGYBACK TERMINALS	
UNITED STATES 1-800-346-4175 (LONDONDERRY, NH)		ITEM NO: N/A	
CANADA: 1-800-361-6975 (QUEBEC) 1-800-387-6487 (ALL OTHER PROVINCES)		CAT. NO: TYPE PG	
FOR PRODUCT INFO: http://www.burndy.com		DRAWN BY: P.PRASANATH 2/15/2019	
		CHECKER: P.WINSON 2/15/2019	
		DSN APRVL: K.CASTONGUAY 2/19/2019	
		MFG APRVL: --	
		QA APRVL: B.ELLIOTT 2/19/2019	
		MKT APRVL: M.BAILLY 2/18/2019	
		PROD FAM: --	
		PROJECT #: --	
		SIZE	
		D	
		DOCUMENT TYPE: SALES	
		REL LEVEL: Released	
		DRAWING NO	
		50094216	
		SHEET 1 OF 1	
		REV	
		A	