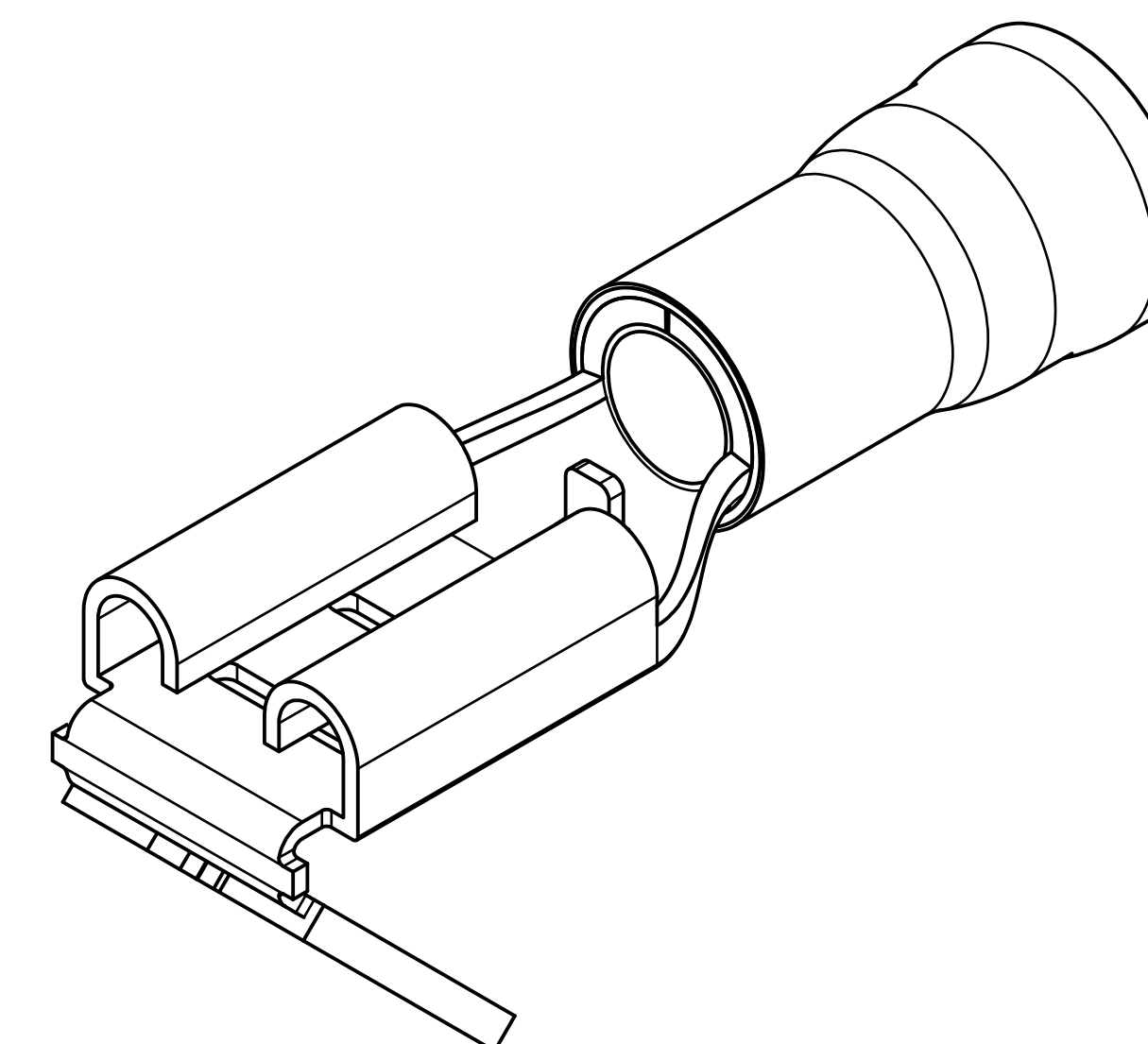
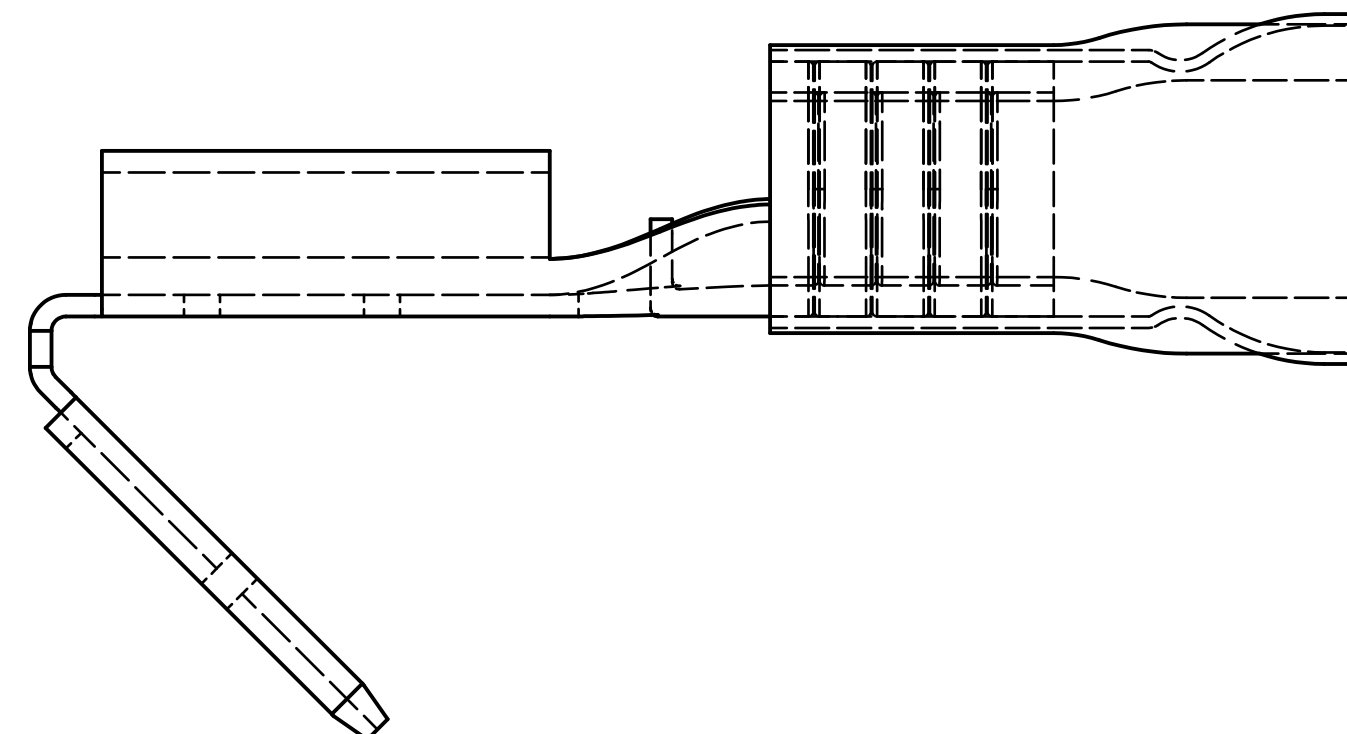
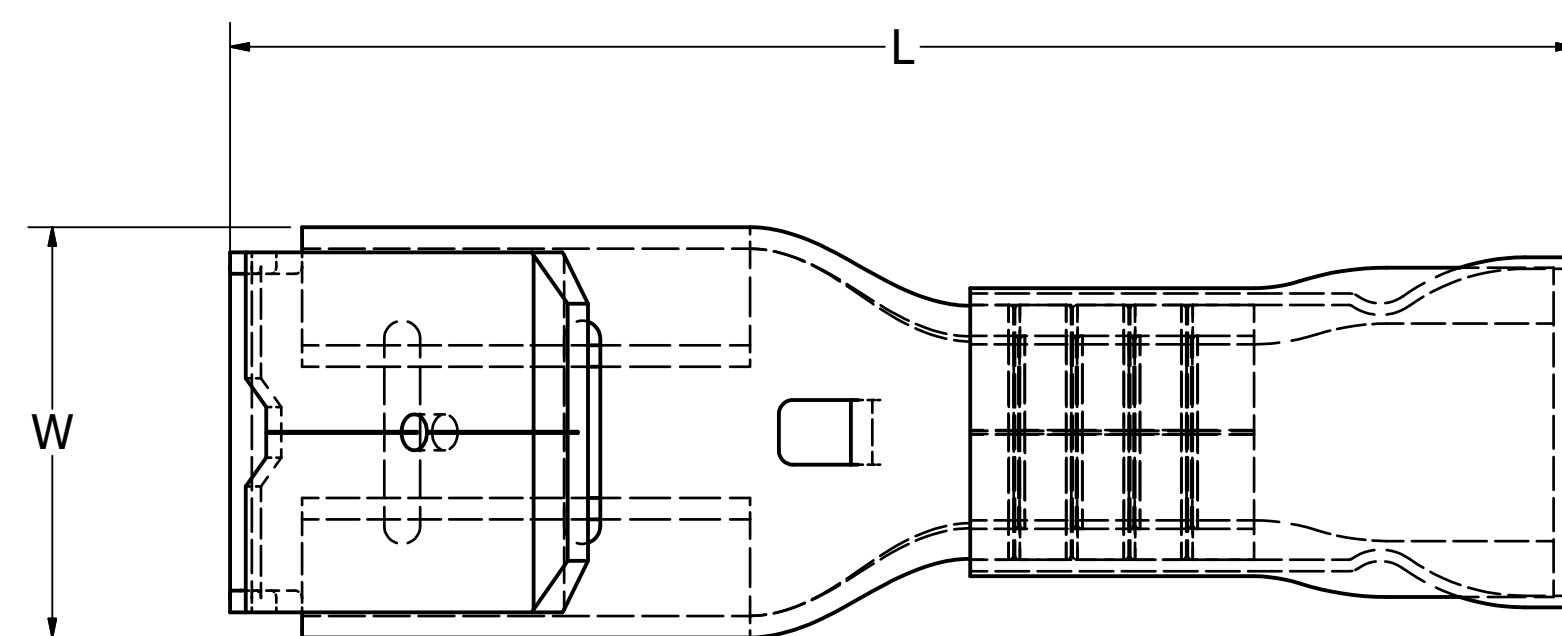


REV	DATE	DESCRIPTION	ECO	BY	C'H'K.
A	03/08/19	NEW DRAWING CREATION	50988	RB	VS

WIRE SIZE (AWG)	CATALOG NUMBER	BULK CATALOG NUMBER	NEMA Tab Size	LENGTH (L)	WIDTH (W)	WIRE STRIP LENGTH $\pm .03$ [$\pm .8$]	COLOR CODE	INSTALLATION TOOLING (ONE CRIMP)
22-18 Str. and Sol.	PGP1825X03D	PGP1825X03B	.25 X .03	.83 [21.1]	.25 [6.4]	3/8" [9.5]	RED	MRE1022NV, Y1022
16-14 Str. and Sol.	PGP1425X03D	PGP1425X03B					BLUE	
12-10 Str. and Sol.	PGP1025X03D	PGP1025X03B		.93 [23.6]			YELLOW	



NOTES:

1. TERMINAL: TIN PLATED BRASS
2. INSULATION: POLYVINYLCHLORIDE
3. DIMENSIONS IN BRACKETS [] ARE IN MILLIMETERS AND ARE FOR REFERENCE ONLY.
4. WIRE CONNECTOR:
300V MAXIMUM
TEMPERATURE RATING OF INSULATING MATERIAL 105°
FLAME RATING: UL94 V-0

TO ORDER BURNDY® PRODUCTS CALL		FINGRIP	
UNITED STATES 1-800-346-4175 (LONDONDERRY, NH)		ITEM NO: N/A	
CANADA: 1-800-361-6975 (QUEBEC) 1-800-387-6487 (ALL OTHER PROVINCES)		CAT. NO: TYPE PGP	
FOR PRODUCT INFO: http://www.burndy.com		DRAWN BY: RBABU 03/08/2019	
		CHECKER: V.SAKTHIVEL 03/08/2019	
		DSN APRVL: K.CASTONGUAY 03/26/2019	
		MFG APRVL: --	
		QA APRVL: B.ELLIOTT 03/13/2019	
		MKT APRVL: M.BAILLY 03/13/2019	
		PROD FAM: --	
		PROJECT #: --	
		DOCUMENT TYPE: SALES	
		REL LEVEL: Released	
		SIZE D	DRAWING NO 50094218
			REV A
			SHEET 1 OF 1