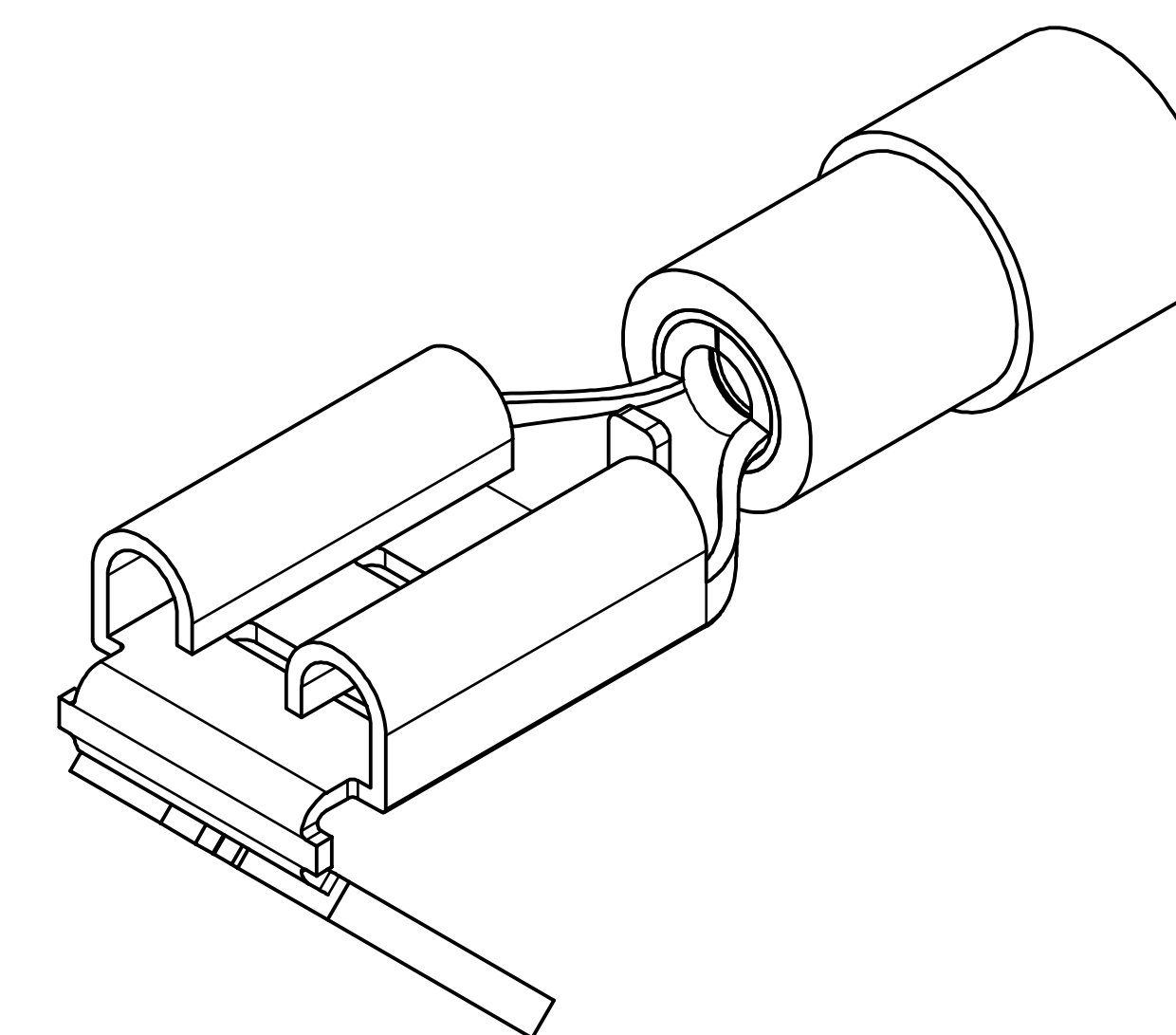
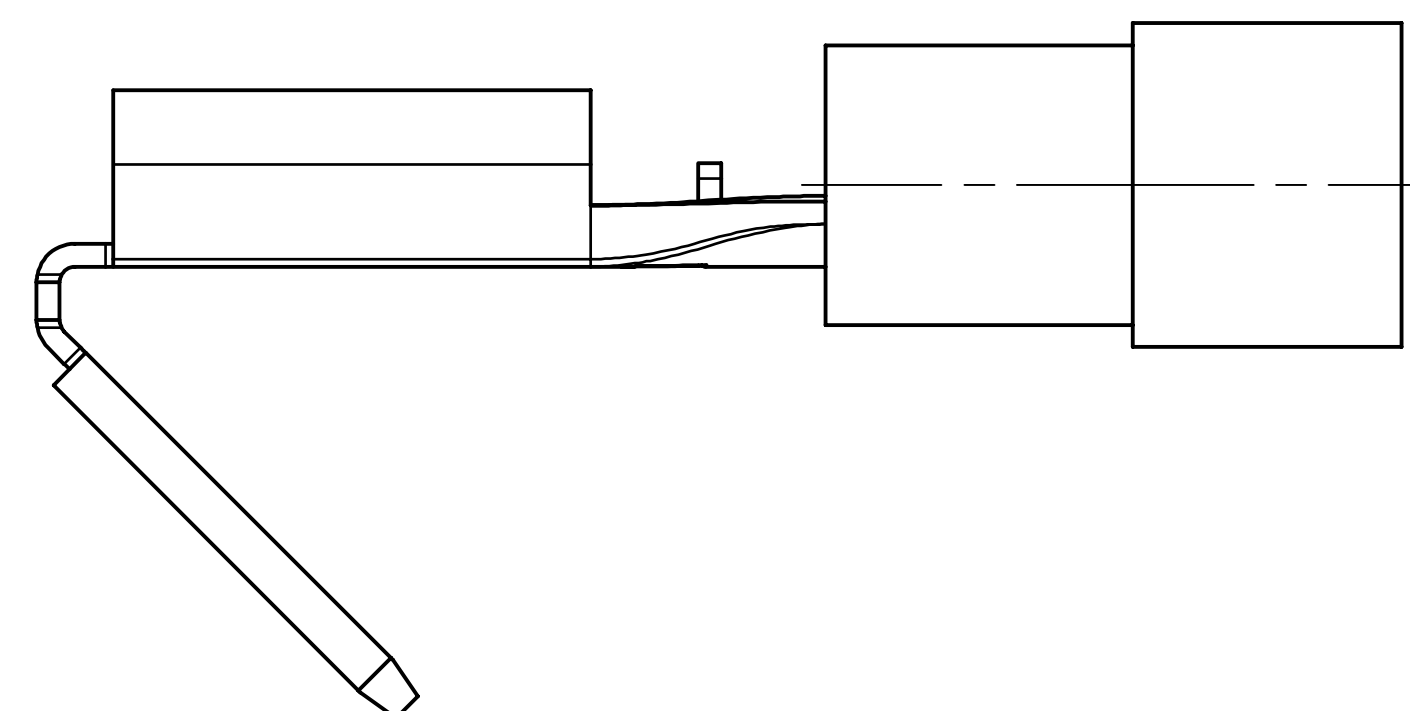
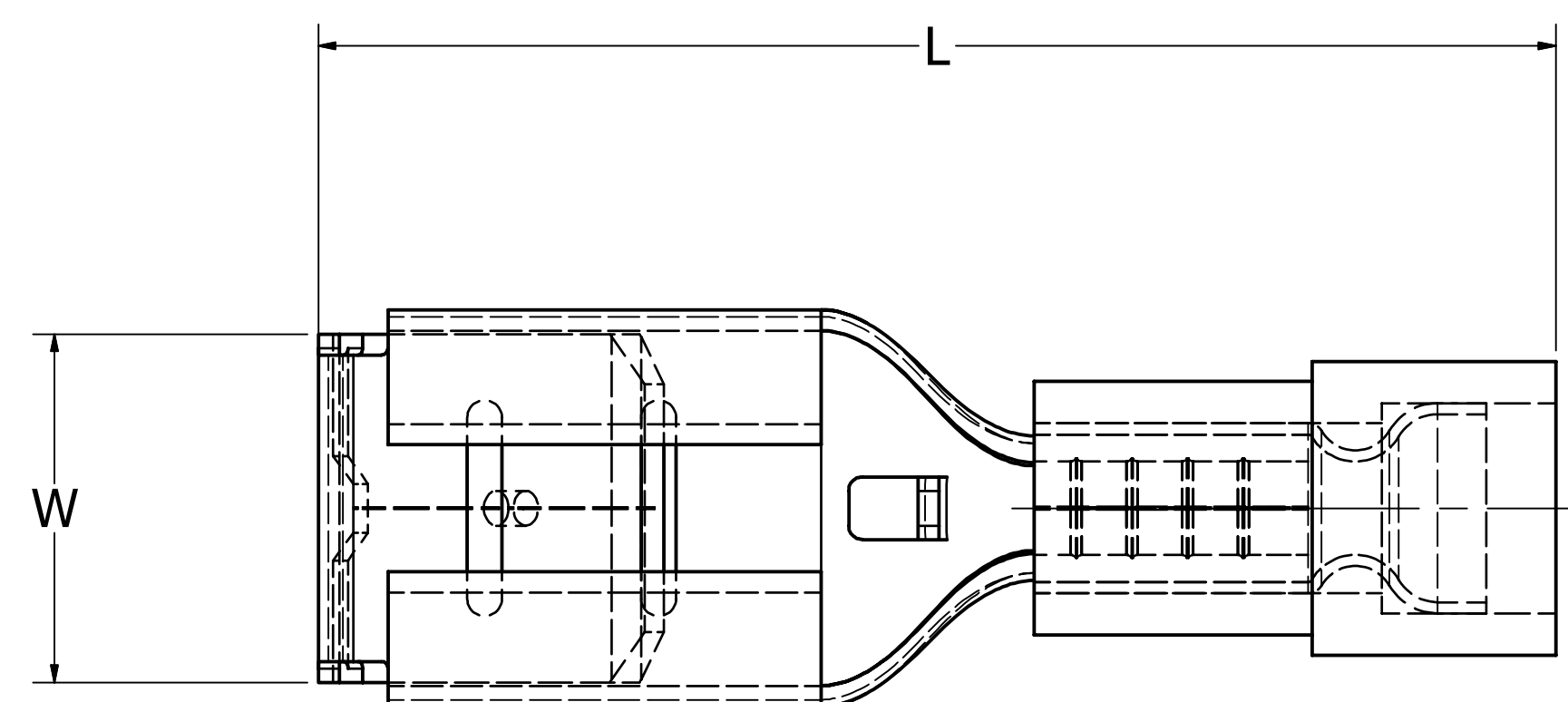


REV	DATE	DESCRIPTION	ECO	BY	C'H'K.
A	03/08/2019	NEW DRAWING CREATION	50989	YR	VS

WIRE SIZE (AWG)	CATALOG NUMBER	BULK CATALOG NUMBER	NEMA Tab Size	LENGTH (L)	WIDTH (W)	WIRE STRIP LENGTH ± .03 [± .8]	COLOR CODE	INSTALLATION TOOLING (ONE CRIMP)
22-18 Str. and Sol.	PGN1825X03D	PGN1825X03B	.25 X .03	.87 [22.1]	.25 [6.4]	3/8" [9.5]	RED	MRE1022NV, Y10D
16-14 Str. and Sol.	PGN1425X03D	PGN1425X03B					BLUE	
12-10 Str. and Sol.	PGN1025X03D	PGN1025X03B					YELLOW	



NOTES:

1. TERMINAL: TIN PLATED BRASS
2. INSULATION: NYLON
3. DIMENSIONS IN BRACKETS [ ] ARE IN MILLIMETERS AND ARE FOR REFERENCE ONLY.
4. WIRE CONNECTOR:  
300V MAXIMUM  
TEMPERATURE RATING OF INSULATING MATERIAL 105°C  
FLAME RATING: UL94 V-2

TO ORDER BURNDY® PRODUCTS CALL		FINGRIP	
UNITED STATES 1-800-346-4175 (LONDONDERRY, NH)		ITEM NO: N/A	
CANADA: 1-800-361-6975 (QUEBEC) 1-800-387-6487 (ALL OTHER PROVINCES)		CAT. NO: TYPE PGN	
FOR PRODUCT INFO: <a href="http://www.burndy.com">http://www.burndy.com</a>		DRAWN BY: R.YOGARAJ 03/08/2019	
		CHECKER: S.VENKATESAN 03/08/2019	
		DSN APRVL: --	
		MFG APRVL: --	
		QA APRVL: --	
		MKT APRVL: --	
		PROD FAM: --	
		PROJECT #: --	
		SIZE	
		D	
		DRAWING NO	
		50094219	
		SHEET 1 OF 1	
		REV	
		A	