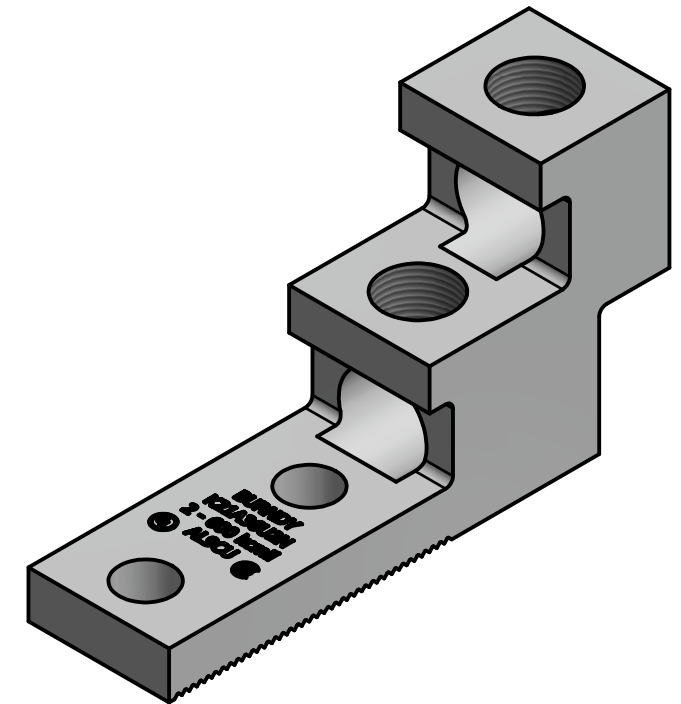
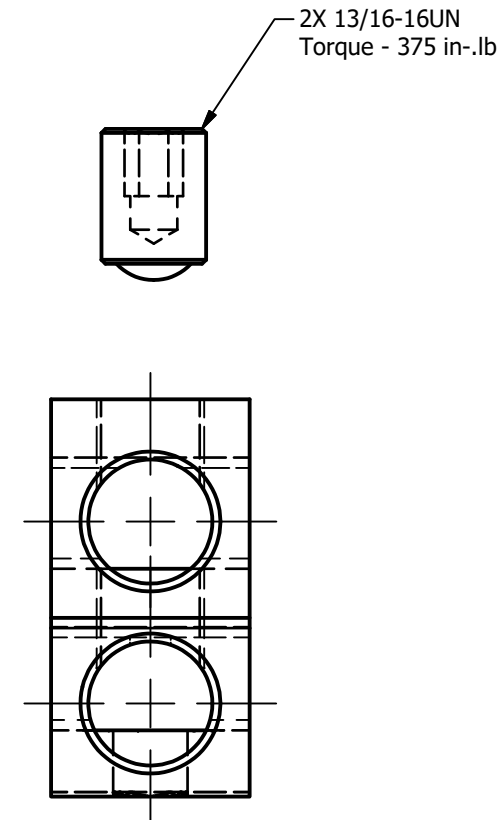
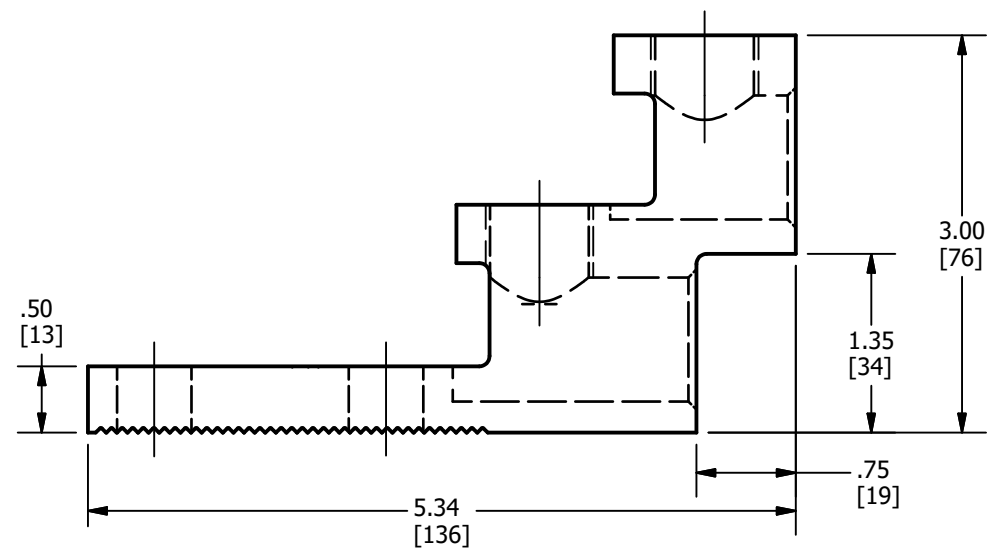
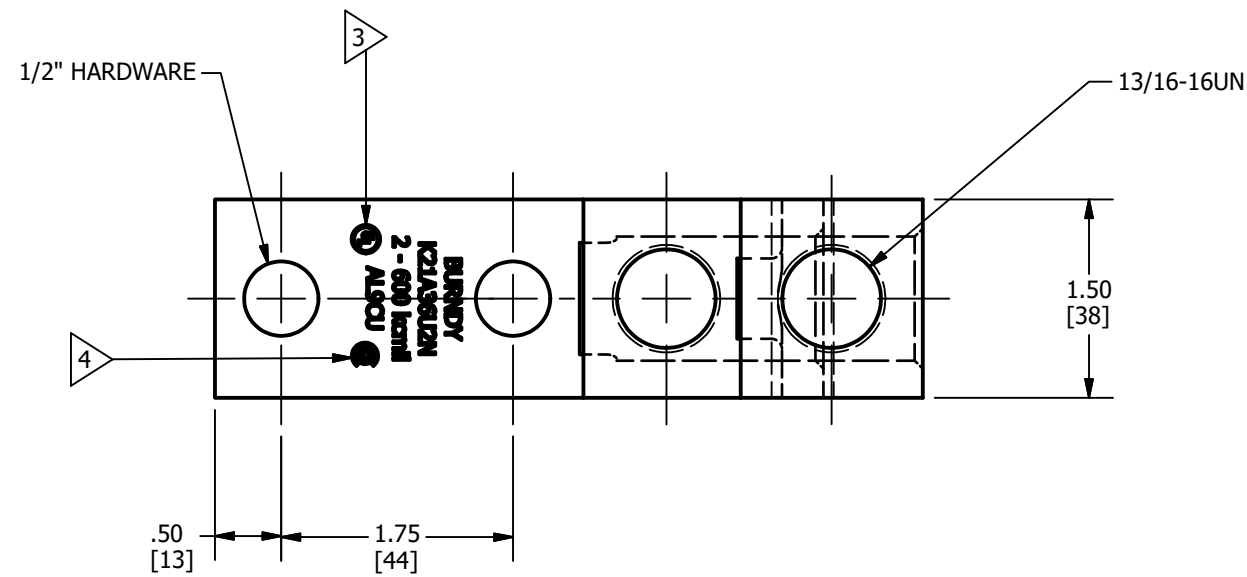


REV	DATE	DESCRIPTION	ECO	BY	C'H'K.
A	09/26/2018	NEW DRAWING	49975	JL	KC



NOTES:

1. METERRAIL: BODY - ALUMINUM
SCREW - ALUMINUM
2. FINISH-BODY: TIN - PLATED
SCREW: TIN - PLATED
3. CONECTORS ARE UL LISTED TO UL486A - 486B FOR ALUMINUM AND
COPPER CONDUCTORS AT 90°C.
4. CONNECTORS ARE CSA CERTIFIED TO C22.2. NO. 65 FOR
INDICATED CONDUCTORS RANGE.
5. NOT RECOMMENDED FOR USE IN HIGHLY CORROSIVE ENVIROMMENT.
6. DIMENSIONS IN BRACKETS [] ARE IN MILLIMETERS ROUNDED OFF TO THE
NEAREST MILLIMETER, UNLESS OTHERWISE SPECIFIED AND ARE FOR REFERENCE ONLY.

TO ORDER BURNDY® PRODUCTS CALL UNITED STATES 1-800-346-4175 (LONDONDERRY, NH) CANADA: 1-800-361-6975 (QUEBEC) 1-800-387-6487 (ALL OTHER PROVINCES) FOR PRODUCT INFO: http://www.burndy.com	UNIVERSAL TERMINAL		
	ITEM NO: 50041405		
	CAT. NO: K11A36U2N		
	DRAWN BY: JL.BERGERON	9/26/2018	BURNDY
	CHECKER: K.CASTONGUAY	9/26/2018	
	DSN APRVL: T.REYNOLDS	10/15/2018	
	MFG APRVL: --		
	QA APRVL: B.POST	10/15/2018	
	MKT APRVL: M.BAILLY	10/15/2018	
	PROD FAM: --	DRAWING NO	
PROJECT #: --	SIZE	50094864	
DOCUMENT TYPE: SALES	B	A	
REL LEVEL: Released		SHEET 1 OF 1	