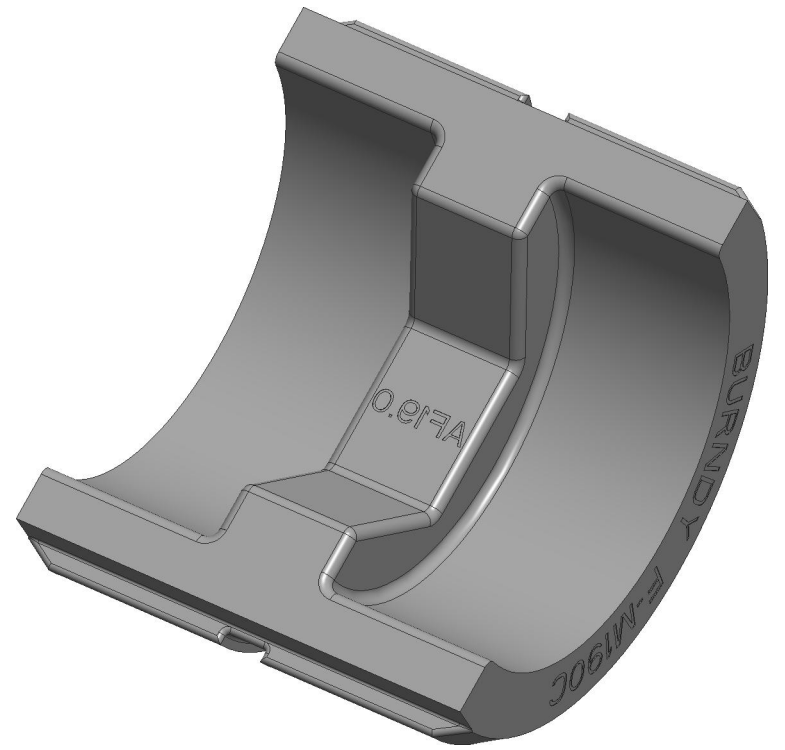
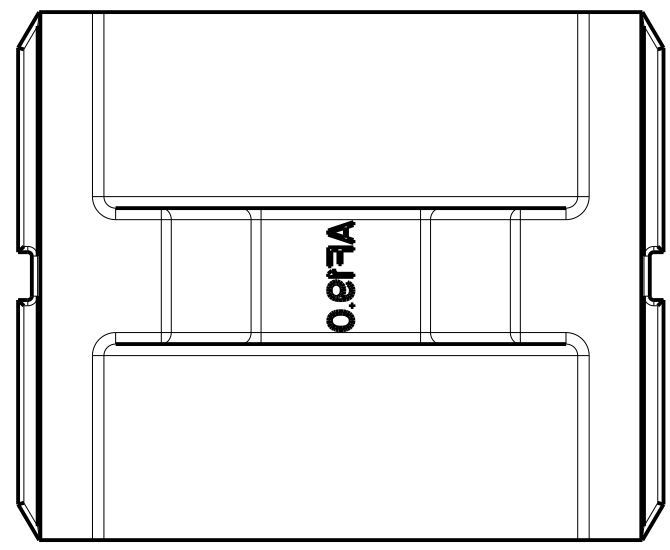
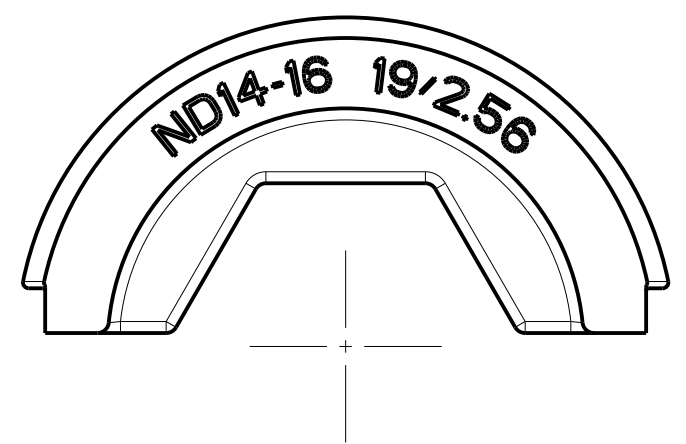
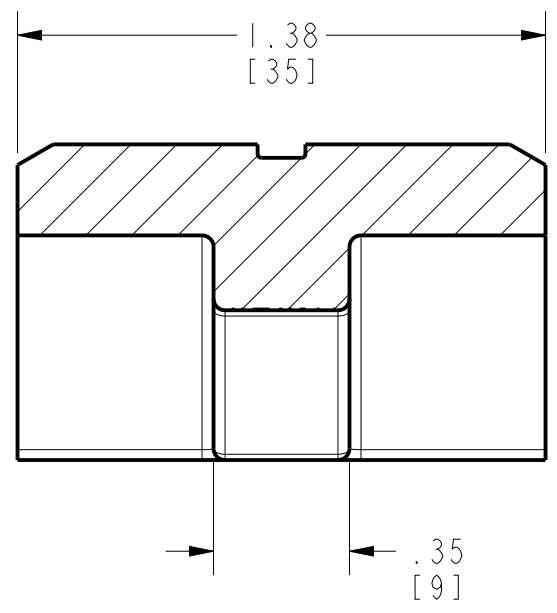
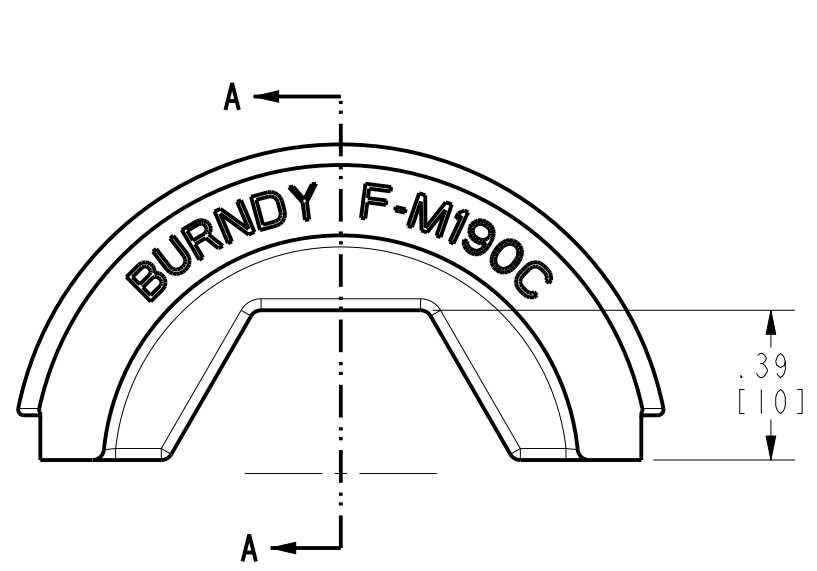


REV.	DATE	DESCRIPTION	ECO	BY	C'H'K.
A	2019-07-08 00:00:00 EDT	DRAWING RELEASED	51756	TRF	LNB



NOTES:

1. DIMENSIONS IN BRACKETS [ ] ARE IN MILLIMETERS ROUNDED OFF TO THE NEAREST MILLIMETER.
2. MATERIAL: STAINLESS STEEL

TO ORDER BURNDY® PRODUCTS CALL  
 UNITED STATES:  
 1-800-346-4175 (LONDONDERRY, NH)  
 CANADA:  
 1-800-361-6975 (QUEBEC)  
 1-800-387-6487 (ALL OTHER PROVINCES)  
 FOR PRODUCT INFO: <http://www.burndy.com>

DIE, HEXAGONAL CRIMP		SCALE: 2:1	
ITEM NO: 50097154		DRAWING NO	
CAT. NO: FM190C		REV	
DRAWN BY: T. FAUCHER 07/03/2019	CHECKER: J. LEFAVOUR 07/03/2019		
DSN APPVL: J. LEFAVOUR 07/08/2019	MFG APPVL: N. CHRISTNACH 07/08/2019		
QA APPVL: C. LINDQUIST 07/08/2019	MKT APPVL: K. SCHAEFER 07/08/2019		
PROD FAM: TOOLS, HYDRAULIC	PROJECT #: --		
DOCUMENT TYPE: Sales	REL LEVEL: Released		
SIZE: B	DRAWING NO: 50097181	SHEET 1 OF 1	

REV: PE0200