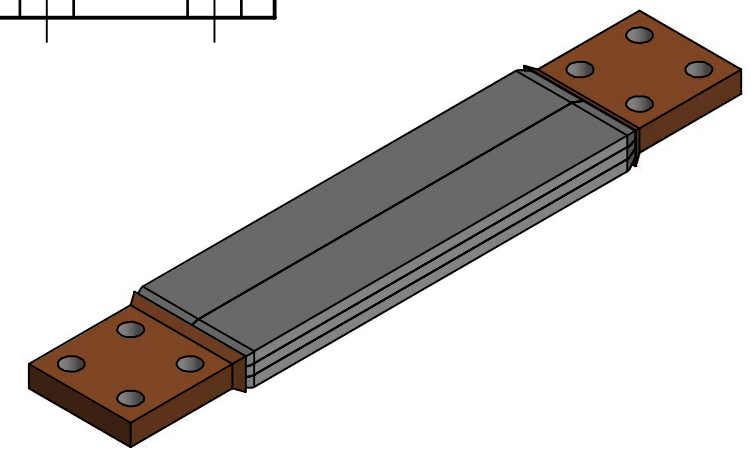
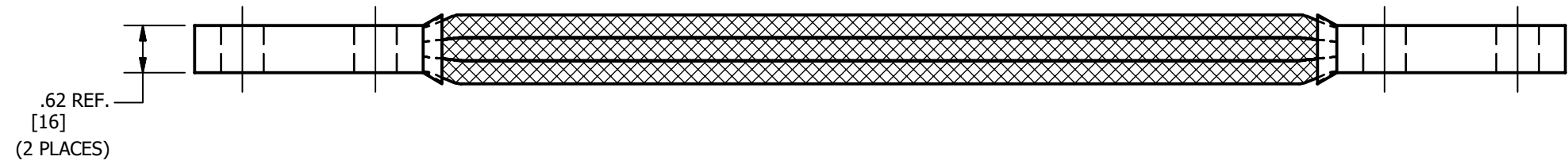
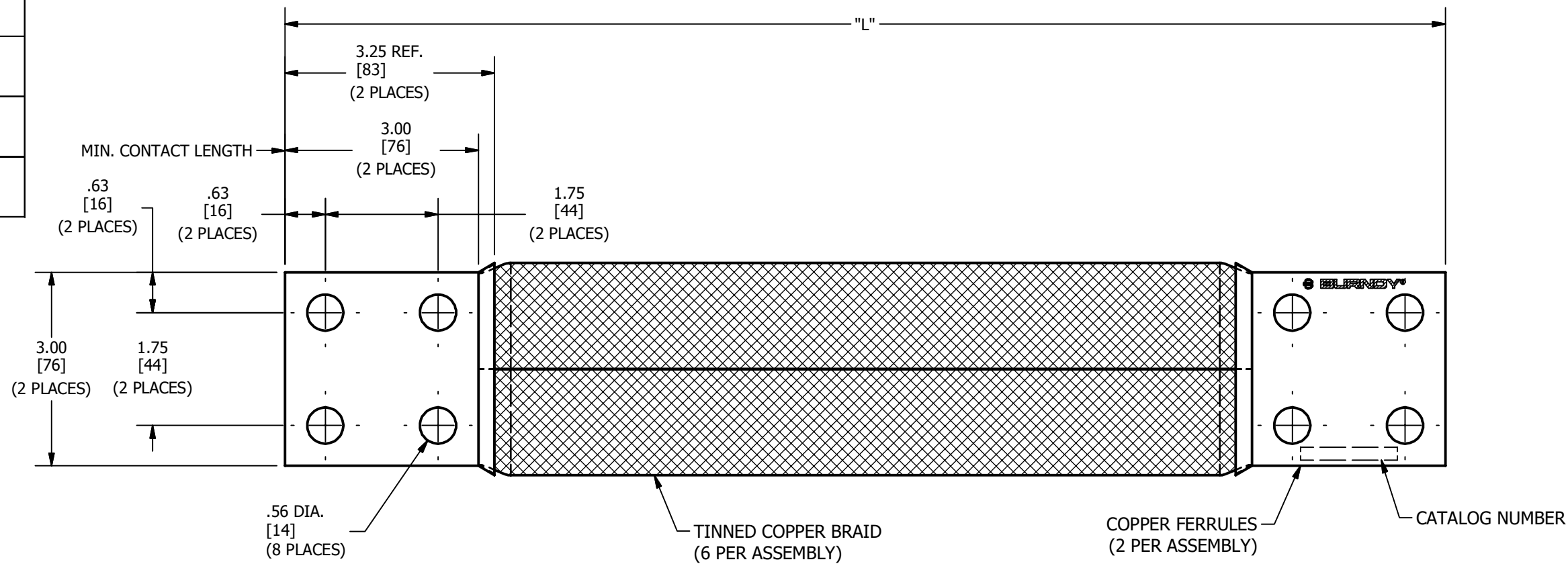



CATALOG NUMBER	LENGTH "L"
B23G184N	18 [457]
B23G244N	24 [610]
B23G364N	36 [914]
B23G964NTN	96 [2438]

REV	DATE	DESCRIPTION	ECO	BY	CHK.
B	09/15/2020	CATALOG NUMBER B23G964NTN INCLUDED TO TABLE	54260	PB	RG



- NOTES:
- MATERIAL : FERRULES - COPPER  
BRAID - TINNED COPPER
  - DIMENSIONS IN BRACKETS [ ] ARE IN MILLIMETERS ROUNDED OFF TO THE NEAREST MILLIMETER, UNLESS OTHERWISE NOTED, AND ARE FOR REFERENCE ONLY.
  - CAN BE ORDERED WITH PLATED FERRULES BY ADDING SUFFIX AS SHOWN BELOW:  
"NK" - FOR NICKEL PLATING  
"SV" - FOR SILVER PLATING  
"TN" - FOR TIN PLATING  
"W" - FOR HOT TIN PLATING
  - CAN BE ORDERED WITH UNDRILLED FERRULES BY ADDING SUFFIX "U".

TO ORDER BURNDY® PRODUCTS CALL		BRAID	
UNITED STATES 1-800-346-4175 (LONDONDERRY, NH)		ITEM NO: -- CAT. NO: B23G--4N(SEE TABLE)	
CANADA: 1-800-361-6975 (QUEBEC) 1-800-387-6487 (ALL OTHER PROVINCES)		DRAWN BY: B.PARTHIBAN 02/21/2019 CHECKER: S.CARBONNEAU 04/24/2019 DSN APRVL: S.CARBONNEAU 04/24/2019 MFG APRVL: P.MARTEL 04/23/2019 QA APRVL: C.LINDQUIST 04/25/2019 MKT APRVL: K.ROBICHEAU 04/25/2019	
FOR PRODUCT INFO: <a href="http://www.burndy.com">http://www.burndy.com</a>			
PROD FAM: MECHANICAL GROUNDING	DRAWING NO	REV	
PROJECT #: --	SIZE	50099235	B
DOCUMENT TYPE: SALES	B	SHEET 1 OF 1	
REL LEVEL: Released			