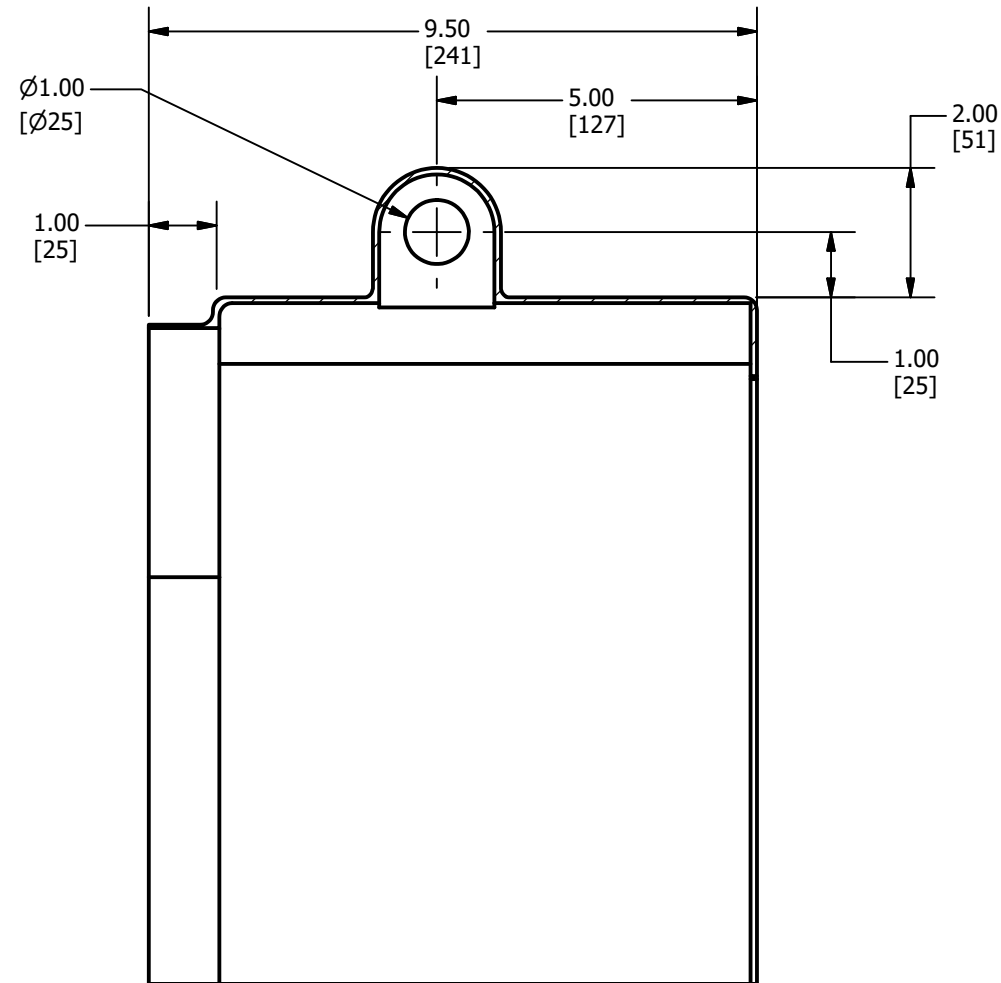
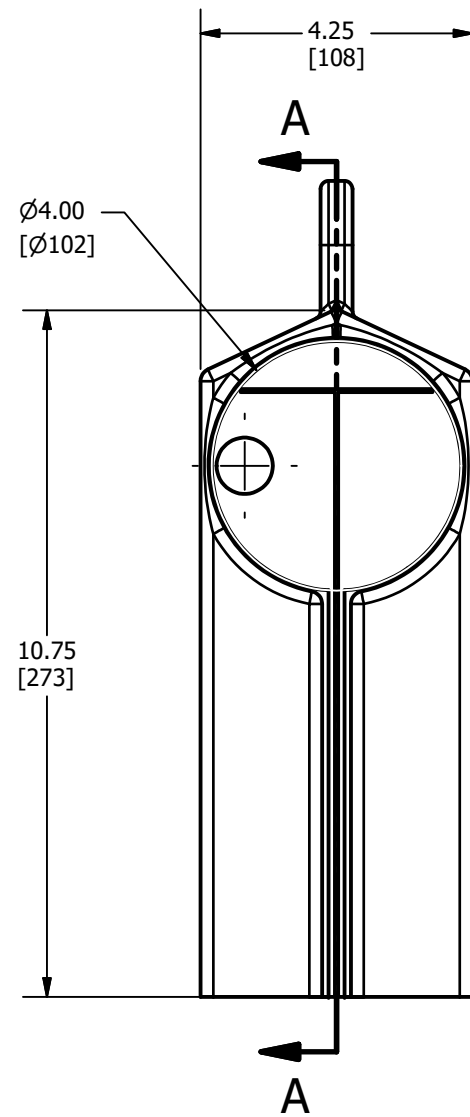
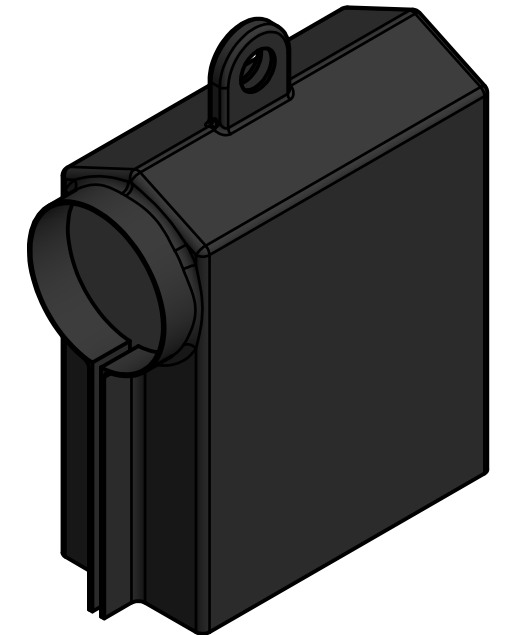
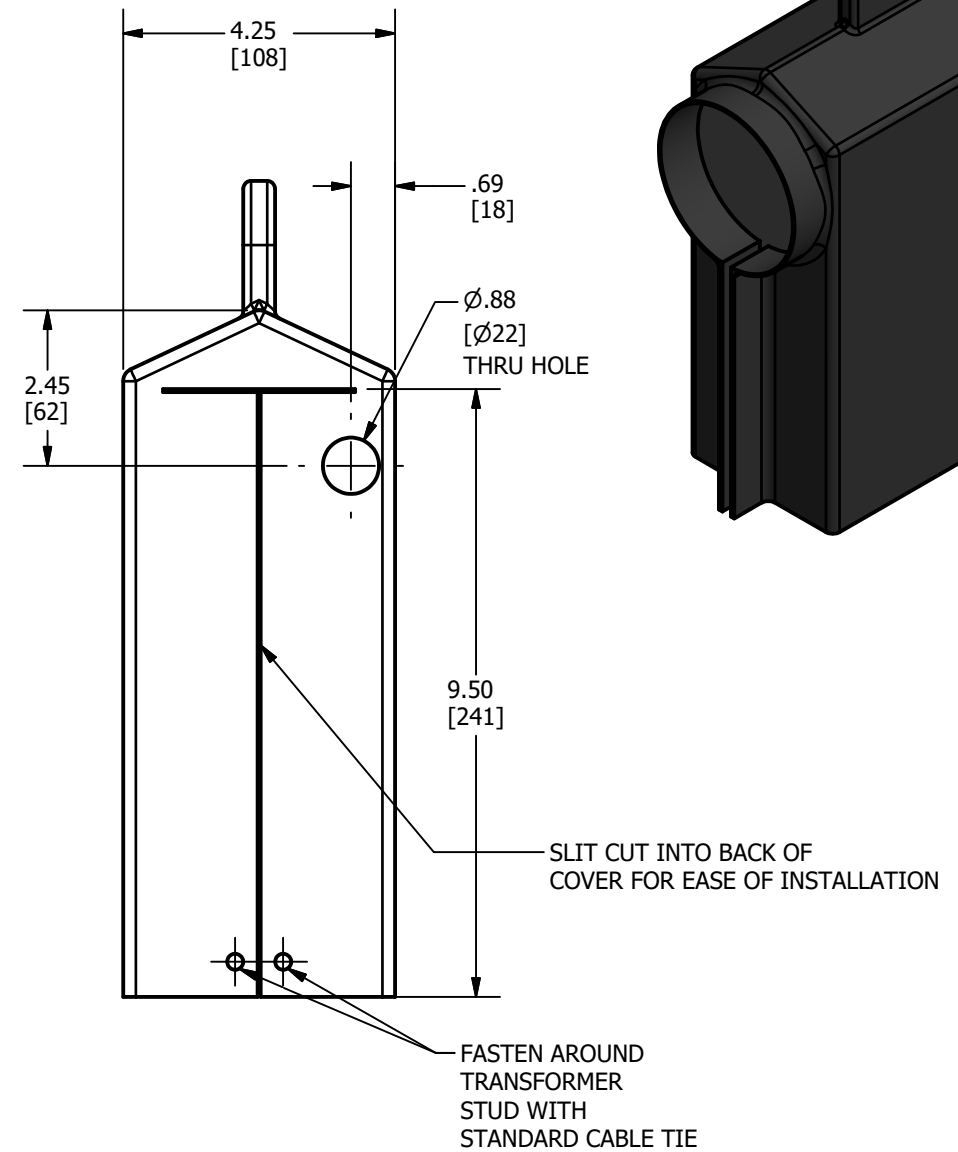


ITEM NUMBER	CATALOG NUMBER	MATERIAL
50096090	COVERYA3ORG	ORANGE PLASTISOL
50100299	COVERYA3BLK	BLACK PLASTISOL

REV	DATE	DESCRIPTION	ECO	BY	C'H'K.
A	07-01-2019	BROUGHT TO PRODUCTION REV	51707	JL	BE



SECTION A-A  
SCALE 1/3



**NOTES:**

- DIMENSIONS IN BRACKETS [ ] ARE IN MILLIMETERS ROUNDED OFF TO THE NEAREST MILLIMETER, UNLESS OTHERWISE SPECIFIED AND ARE FOR REFERENCE ONLY.

TO ORDER BURNDY® PRODUCTS CALL  
 UNITED STATES  
 1-800-346-4175 (LONDONDERRY, NH)  
 CANADA:  
 1-800-361-6975 (QUEBEC)  
 1-800-387-6487 (ALL OTHER PROVINCES)  
 FOR PRODUCT INFO: <http://www.burndy.com>

COVER		DRAWING NO	REV
ITEM NO: SEE TABLE		5009637	A
CAT. NO: SEE TABLE			
DRAWN BY: JL BERGERON	3/6/2019		
CHECKER: B. ELLIS	3/6/2019		
DSN APRVL: J. MICHAUD	7/16/2019		
MFG APRVL:			
QA APRVL: T. WATTS	7/16/2019		
MKT APRVL: B. MICHAUD	7/15/2019		
PROD FAM:			
PROJECT #: FPN1902067	SIZE	5009637	A
DOCUMENT TYPE: SALES	B		
REL LEVEL: Released			

