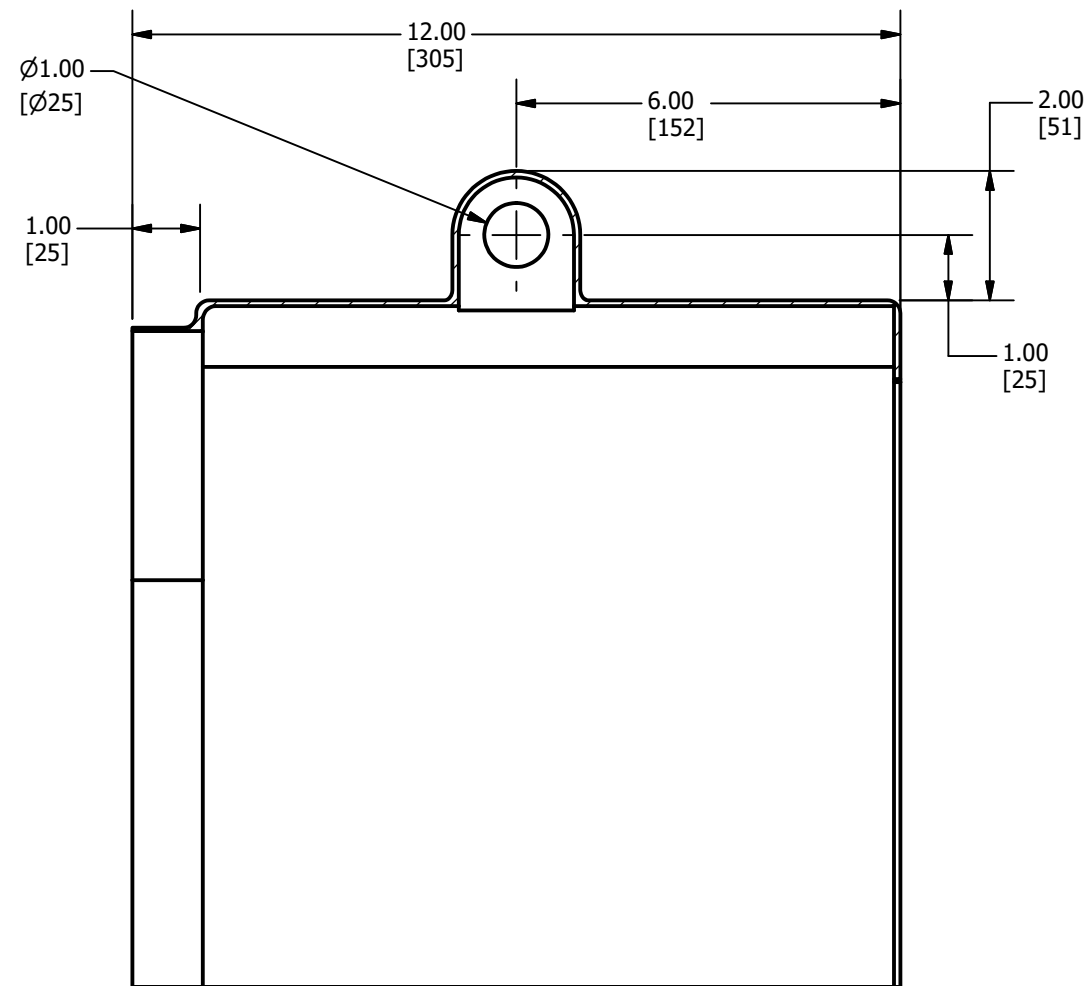
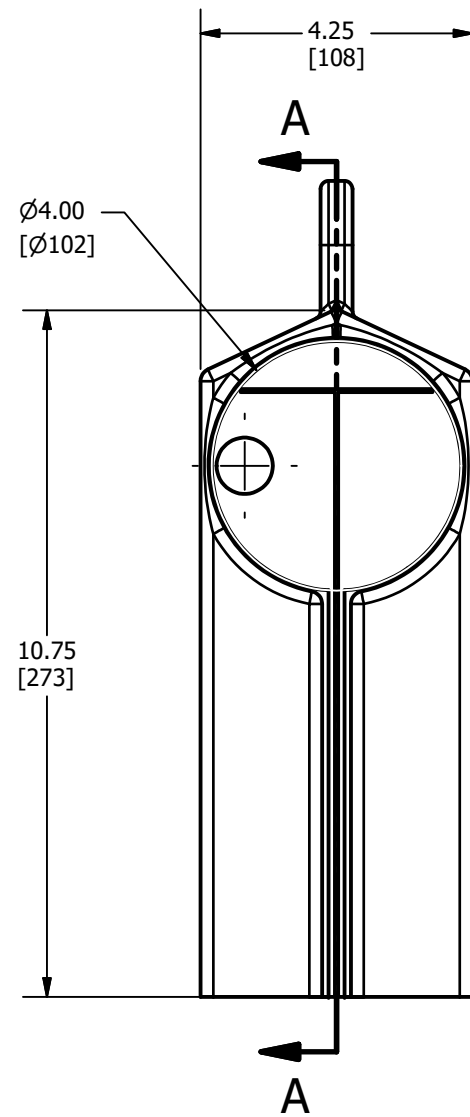
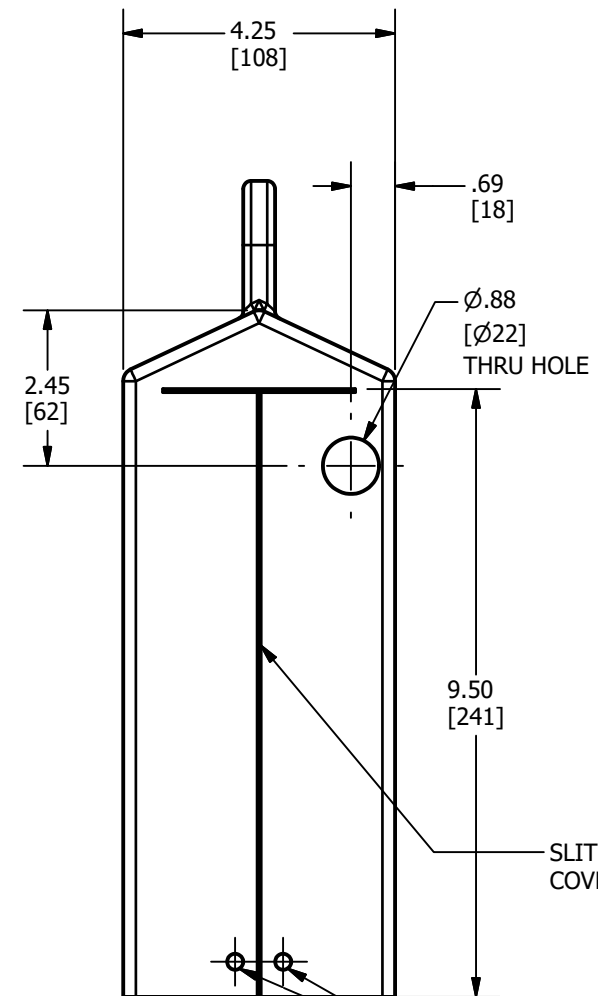


ITEM NUMBER	CATALOG NUMBER	MATERIAL
50100300	COVERYA4ORG	ORANGE PLASTISOL
50100301	COVERYA4BLK	BLACK PLASTISOL

REV	DATE	DESCRIPTION	ECO	BY	C'H'K.
A	11/21/2019	BROUGHT TO RELEASE	52565	JL	KC

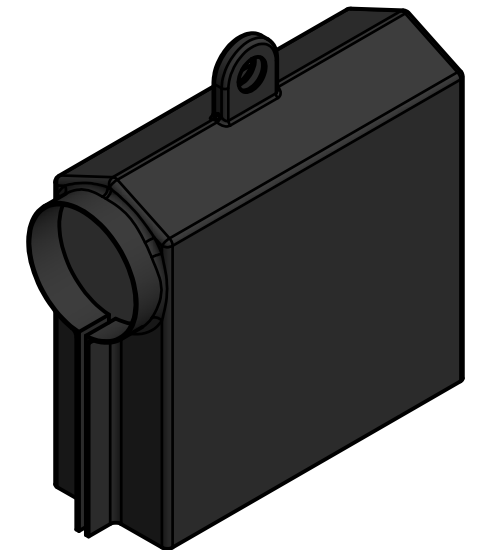


SECTION A-A  
SCALE 1/3



SLIT CUT INTO BACK OF COVER FOR EASE OF INSTALLATION

FASTEN AROUND TRANSFORMER STUD WITH STANDARD CABLE TIE



**NOTES:**

- DIMENSIONS IN BRACKETS [ ] ARE IN MILLIMETERS ROUNDED OFF TO THE NEAREST MILLIMETER, UNLESS OTHERWISE SPECIFIED AND ARE FOR REFERENCE ONLY.

TO ORDER BURNDY® PRODUCTS CALL

UNITED STATES  
1-800-346-4175 (LONDONDERRY, NH)

CANADA:  
1-800-361-6975 (QUEBEC)  
1-800-387-6487 (ALL OTHER PROVINCES)

FOR PRODUCT INFO: <http://www.burndy.com>

COVER		DRAWING NO	REV
ITEM NO: SEE TABLE		50100302	A
CAT. NO: SEE TABLE			
DRAWN BY: JL BERGERON	3/6/2019		
CHECKER: B. ELLIS	3/6/2019		
DSN APRVL: K. CASTONGUAY	11/22/2019		
MFG APRVL: T. FOEHRING	11/22/2019		
QA APRVL: B. ELLIOTT	11/22/2019		
MKT APRVL:			
PROD FAM:			
PROJECT #: FPN1902067	SIZE	50100302	A
DOCUMENT TYPE: SALES	B		
REL LEVEL: Released			

