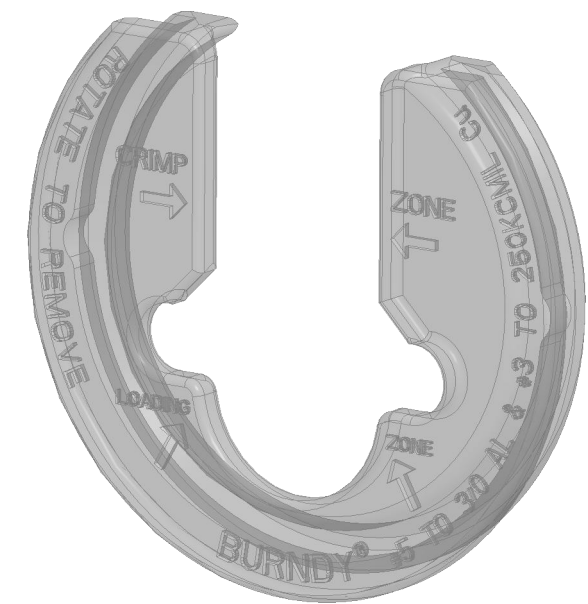
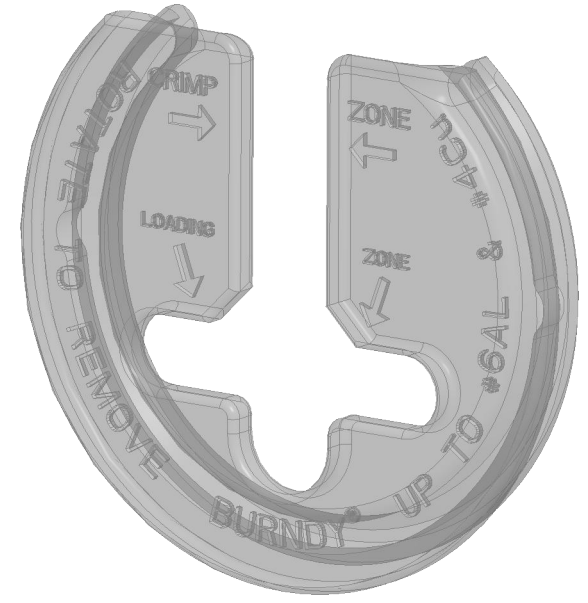
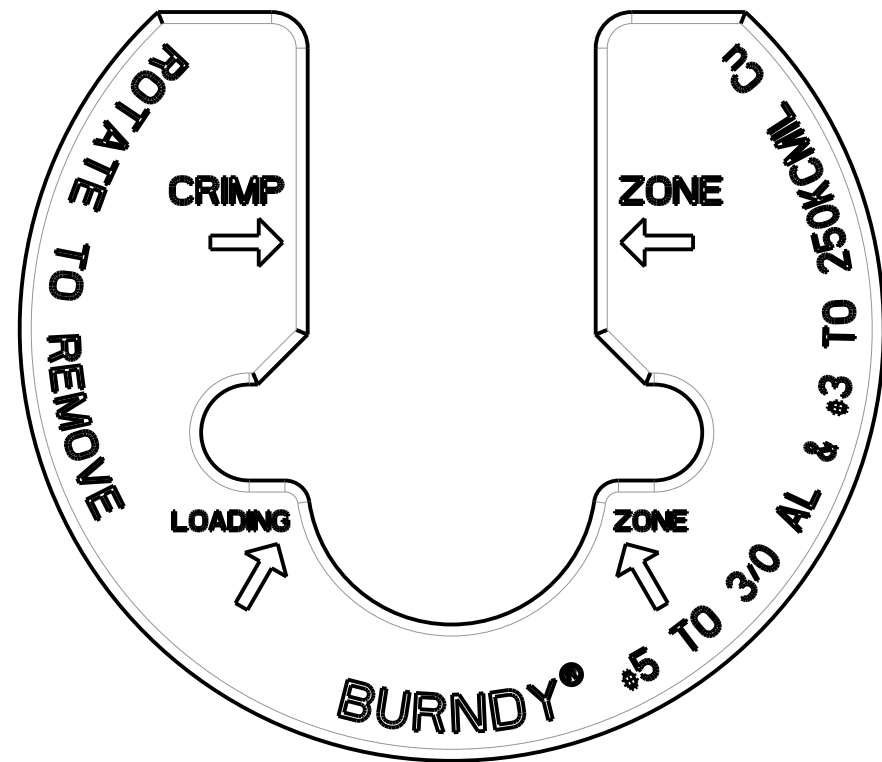
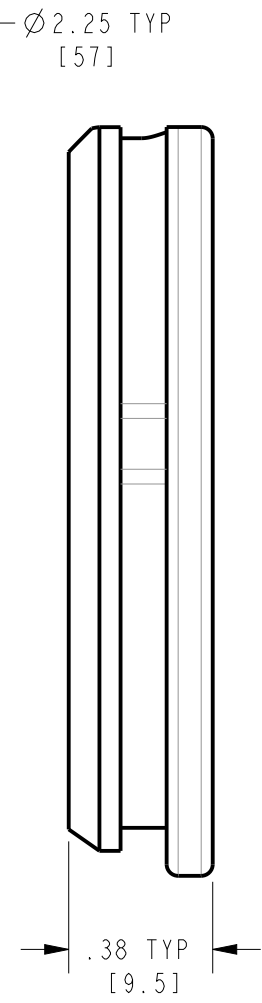
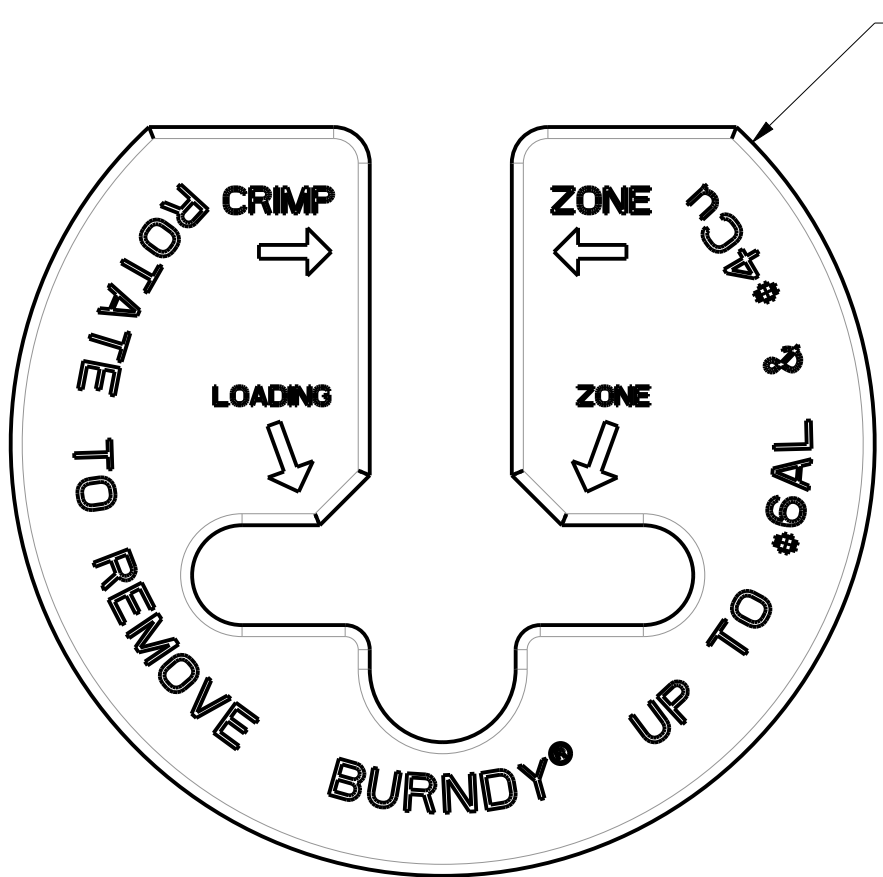


REV.	DATE	DESCRIPTION	ECO	BY	C'H'K.
C	2021-05-27 00:00:00 EST	CHG NOTE 2 AND KIT DESC.	210304005716	BA	LB



8IKSMLGUIDEKIT KIT CONTAINS 2 SMALL
GUIDE INSERTS CONNECTOR RANGES:
AL - UP TO # 6
CU - UP TO # 4

8IKLRGGUIDEKIT KIT CONTAINS 2 LARGE
GUIDE INSERTS CONNECTOR RANGES:
AL - # 5 UP TO 3/0
CU - # 3 UP TO 250 KCMIL

NOTES:

1. DIMENSIONS IN BRACKETS [] ARE IN MILLIMETERS ROUNDED OFF TO THE NEAREST MILLIMETER, UNLESS OTHERWISE NOTED, AND ARE FOR REFERENCE ONLY.
2. KITS ORDERED SEPARATELY.
3. FOR USE WITH PAT8IK(FT) AND Y8IK(FT) SERIES TOOLS THAT HAVE THE FEATURES SHOWN.



TO ORDER BURNDY® PRODUCTS CALL		KIT, 8IK CONNECTOR GUIDE	
UNITED STATES: 1-800-346-4175 (LONDONDERRY, NH)		ITEM NO: SEE NOTES	CAT. NO: SEE NOTES
CANADA: 1-800-361-6975 (QUEBEC) 1-800-387-6487 (ALL OTHER PROVINCES)		DRAWN BY: T. FAUCHER 06/11/2019	CHECKER: C. TORREY 06/11/2019
FOR PRODUCT INFO: http://www.burndy.com		DSN APPVL: C. TORREY 09/04/2019	MFG APPVL: L. DESMARAIS 09/04/2019
		QA APPVL: C. LINDQUIST 08/22/2019	MKT APPVL: K. SCHAEFER 08/19/2019
		PROJ FAM: TOOLS, BATTERY	SCALE: 2:1
		PROJECT #: --	DRAWING NO
		DOCUMENT TYPE: Sales	50100422
		REL LEVEL: Released	SHEET 1 OF 1
		SIZE B	REV C

REV: CREO_05/20/21