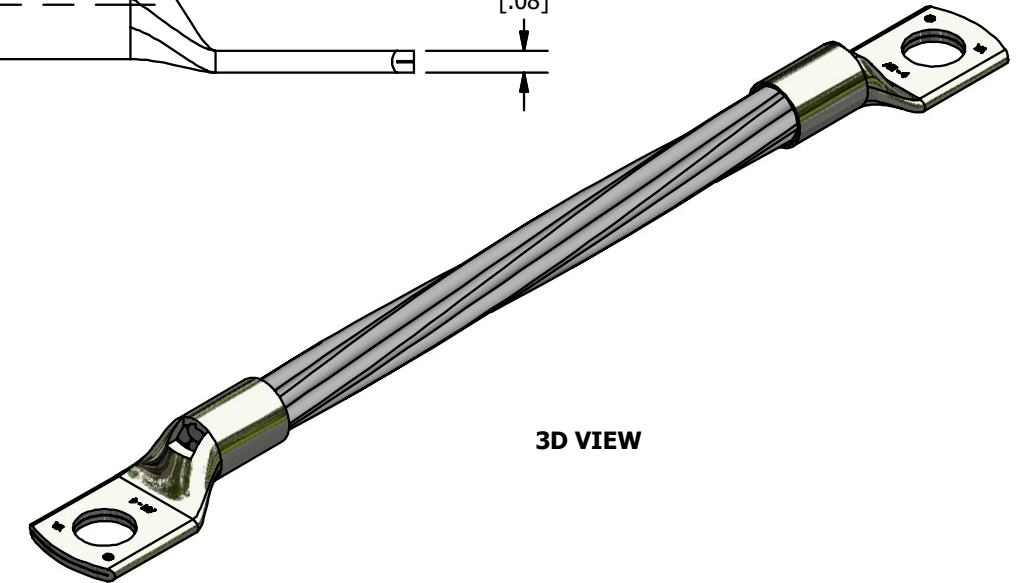
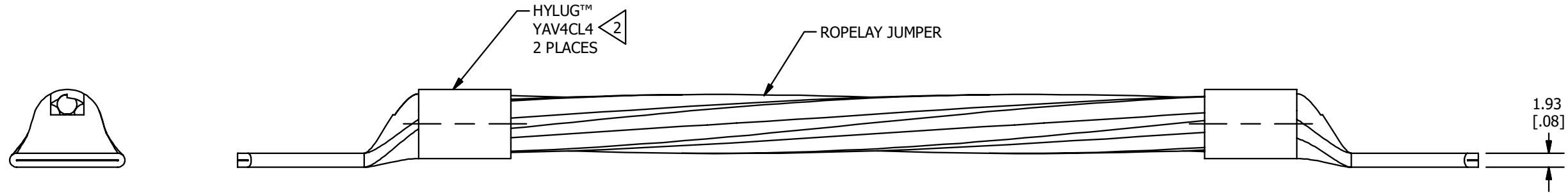
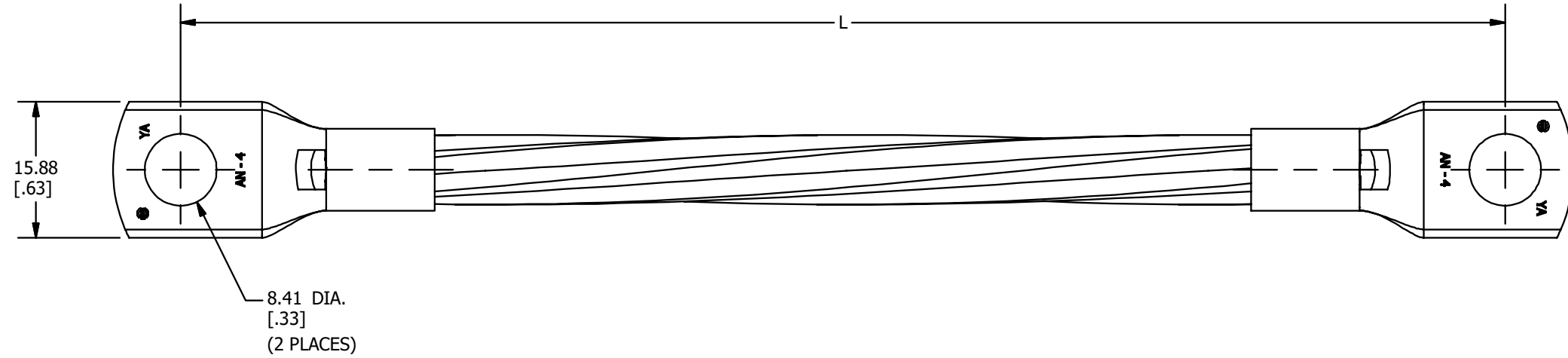


WILEY-ROPELAY BONDING JUMPER (WILEY-RLJ6C--516)		
ITEM NUMBER	CATALOG NO.	LENGTH "L"
50101265	WILEY-RLJ6C6-516	152.4 [6]
50101266	WILEY-RLJ6C12-516	304.8 [12]
50101267	WILEY-RLJ6C18-516	457.2 [18]

REV	DATE	DESCRIPTION	EC	BY	C'H'K.
B	09/13/2021	DRAWING UPDATE	220913023963	TM	EM



3D VIEW

**NOTES:**

- MATERIAL:  
 HYLUG: TIN PLATED COPPER  
 ROPELAY JUMPER: TIN PLATED COPPER (6 AWG).

2 FACTORY INSTALLATION.

- DIMENSIONS IN BRACKETS [ ] ARE IN INCHES ROUNDED OFF TO THE NEAREST HUNDREDTH, UNLESS OTHERWISE SPECIFIED AND ARE FOR REFERENCE ONLY.

TO ORDER BURNDY PRODUCTS CALL  
 UNITED STATES  
 1-800-346-4175 (LONDONDERRY, NH)  
 CANADA:  
 1-800-361-6975 (QUEBEC)  
 1-800-387-6487 (ALL OTHER PROVINCES)  
 FOR PRODUCT INFO: <http://www.burndy.com>

WILEY-ROPELAY BONDING JUMPER			
ITEM NO: SEE TABLE			
CAT. NO: WILEY-RLJ6CXX-516 (SEE TABLE)			
DRAWN BY: B.PARTHIBAN	06-07-2019		
CHECKER: E.MARTIN	10-25-2019		
DSN APRVL: E.MARTIN	10-25-2019		
MFG APRVL: B.ELLIOTT	10-27-2019		
QA APRVL: S.PARSONS	10-25-2019		
PROD FAM: WILEY	DRAWING NO	REV	
PROJECT #: SALES	SIZE	50101258	B
REL LEVEL: Released	B	SHEET 1 OF 1	