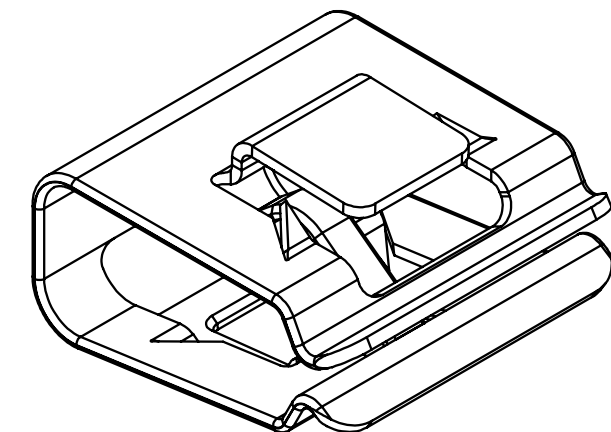
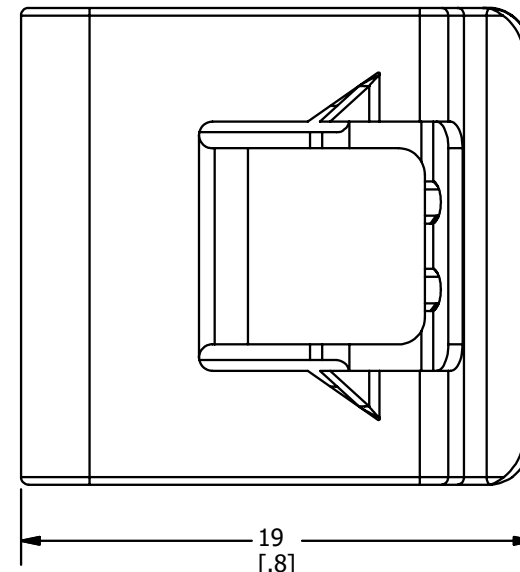
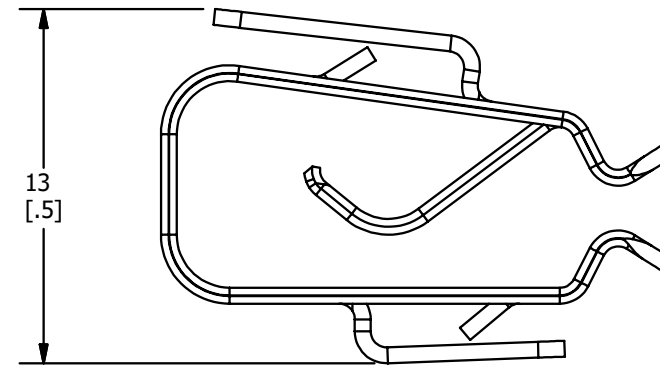
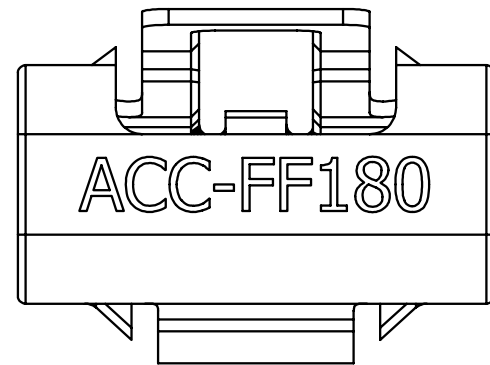
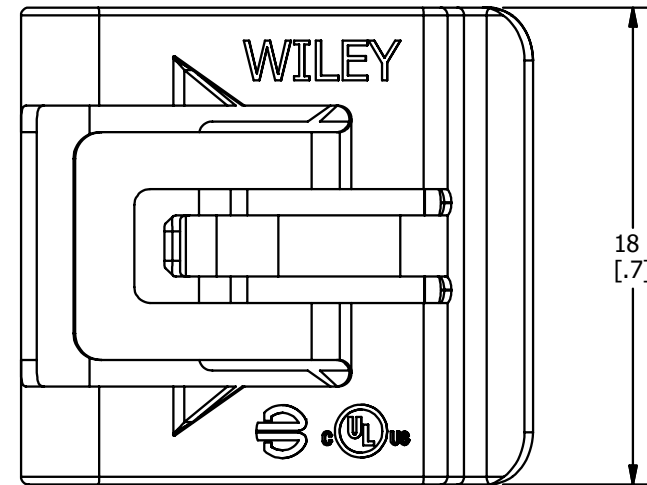


REV	DATE	DESCRIPTION	ECO	BY	C'H'K.
A	10-10-2019	DESIGN UPDATE	52271	TM	KN



3D VIEWS

NOTES:

1. MATERIAL: 304 STAINLESS STEEL.
2. DIMENSIONS IN BRACKETS [] ARE IN INCHES ROUNDED OFF TO THE NEAREST TENTH, UNLESS OTHERWISE SPECIFIED AND ARE FOR REFERENCE ONLY.
3. DESIGNED TO HOLD UP TO (2) USE-2 WIRES OR UP TO (2) PV WIRES.

TO ORDER BURNDY PRODUCTS CALL
 UNITED STATES
 1-800-346-4175 (LONDONDERRY, NH)
 CANADA:
 1-800-361-6975 (QUEBEC)
 1-800-387-6487 (ALL OTHER PROVINCES)
 FOR PRODUCT INFO: <http://www.burndy.com>

ACME CABLE CLIP		DRAWING NO	REV
ITEM NO: 50101387		50101390	A
CAT. NO: ACC-FF180			
DRAWN BY: M.THAMARAI	30-05-2019		
CHECKER: K.NAUGLER	14-10-2019		
DSN APRVL: E.MARTIN	21-10-2019		
PUR APRVL: J.VERRANAULT	12-10-2019		
QA APRVL: B.ELLIOTT	11-10-2019		
MKT APRVL: --			
PROD FAM: WILEY	SIZE		
PROJECT #:	B		
DOCUMENT TYPE: SALES			
REL LEVEL: Released		SHEET 1 OF 1	