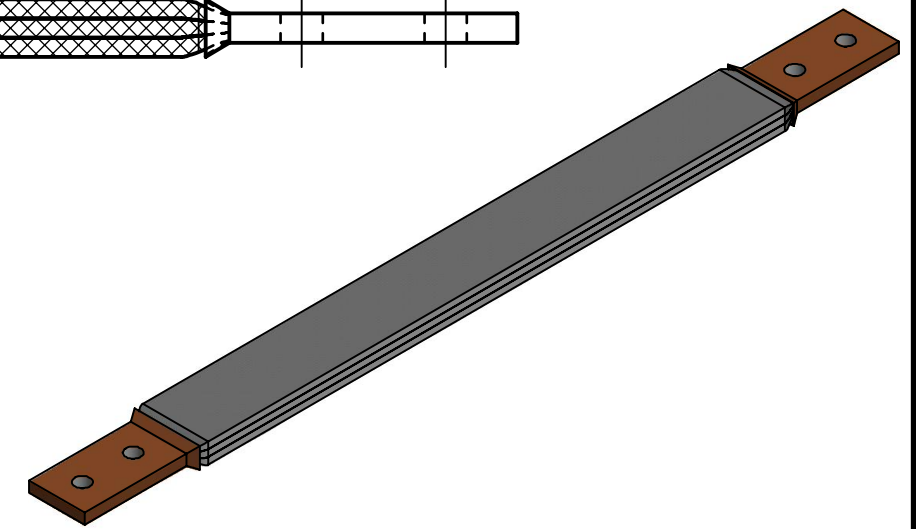
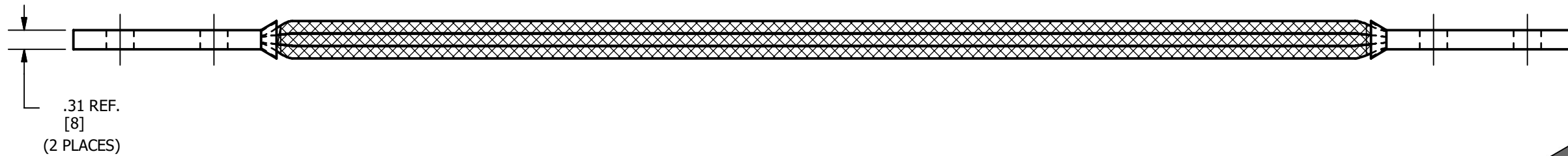
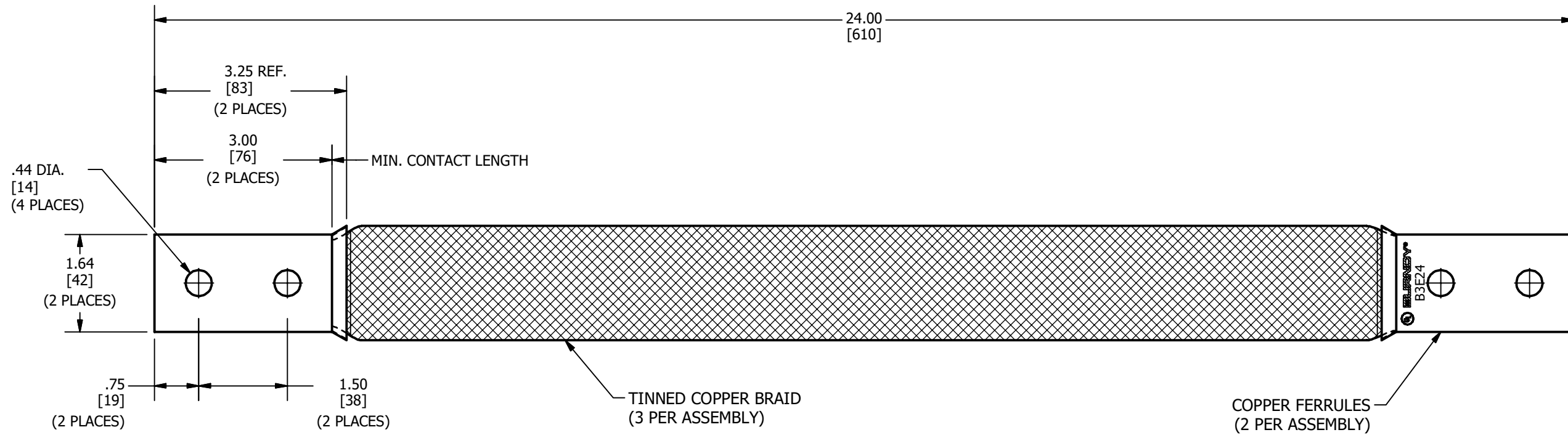


REV	DATE	DESCRIPTION	ECO	BY	CHK.
A	06/21/2019	NEW DRAWING CREATED	51657	PB	RG



NOTES:

- MATERIAL : FERRULES - COPPER
BRAID - TINNED COPPER
- DIMENSIONS IN BRACKETS [] ARE IN MILLIMETERS ROUNDED OFF TO THE NEAREST MILLIMETER, UNLESS OTHERWISE NOTED, AND ARE FOR REFERENCE ONLY.

TO ORDER BURNDY® PRODUCTS CALL		FLEXIBLE BRAID													
UNITED STATES 1-800-346-4175 (LONDONDERRY, NH)		ITEM NO: 332076													
CANADA: 1-800-361-6975 (QUEBEC) 1-800-387-6487 (ALL OTHER PROVINCES)		CAT. NO: B3E24													
FOR PRODUCT INFO: http://www.burndy.com		<table border="1"> <tr> <td>DRAWN BY: B.PARTHIBAN</td> <td>06/21/2019</td> </tr> <tr> <td>CHECKER: S.CARBONNEAU</td> <td>09/25/2020</td> </tr> <tr> <td>DSN APRVL: S.CARBONNEAU</td> <td>09/25/2020</td> </tr> <tr> <td>MFG APRVL: P.MARTEL</td> <td>06/25/2019</td> </tr> <tr> <td>QA APRVL: C.LINDQUIST</td> <td>07/16/2019</td> </tr> <tr> <td>MKT APRVL: K.ROBICHEAU</td> <td>08/13/2019</td> </tr> </table>		DRAWN BY: B.PARTHIBAN	06/21/2019	CHECKER: S.CARBONNEAU	09/25/2020	DSN APRVL: S.CARBONNEAU	09/25/2020	MFG APRVL: P.MARTEL	06/25/2019	QA APRVL: C.LINDQUIST	07/16/2019	MKT APRVL: K.ROBICHEAU	08/13/2019
DRAWN BY: B.PARTHIBAN	06/21/2019														
CHECKER: S.CARBONNEAU	09/25/2020														
DSN APRVL: S.CARBONNEAU	09/25/2020														
MFG APRVL: P.MARTEL	06/25/2019														
QA APRVL: C.LINDQUIST	07/16/2019														
MKT APRVL: K.ROBICHEAU	08/13/2019														
<table border="1"> <tr> <td>PROD FAM: MECHANICAL GROUNDING</td> <td>DRAWING NO</td> <td>REV</td> </tr> <tr> <td>PROJECT #: --</td> <td>SIZE</td> <td>50101435</td> </tr> <tr> <td>DOCUMENT TYPE: SALES</td> <td>B</td> <td>A</td> </tr> <tr> <td>REL LEVEL: Released</td> <td colspan="2">SHEET 1 OF 1</td> </tr> </table>		PROD FAM: MECHANICAL GROUNDING	DRAWING NO	REV	PROJECT #: --	SIZE	50101435	DOCUMENT TYPE: SALES	B	A	REL LEVEL: Released	SHEET 1 OF 1			
PROD FAM: MECHANICAL GROUNDING	DRAWING NO	REV													
PROJECT #: --	SIZE	50101435													
DOCUMENT TYPE: SALES	B	A													
REL LEVEL: Released	SHEET 1 OF 1														