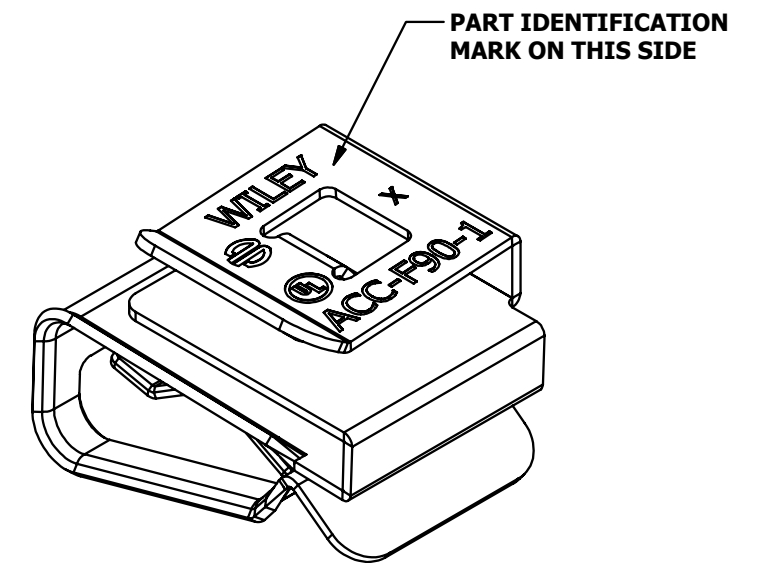
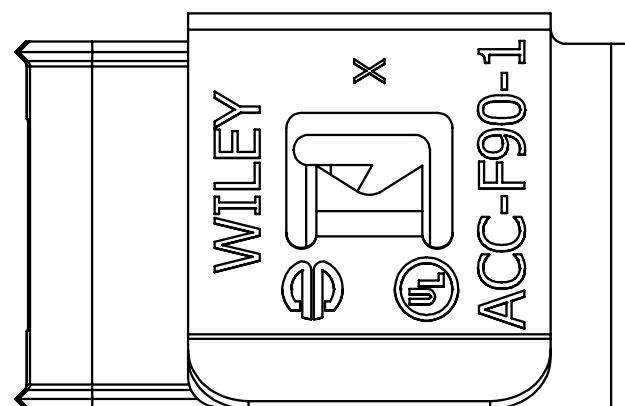
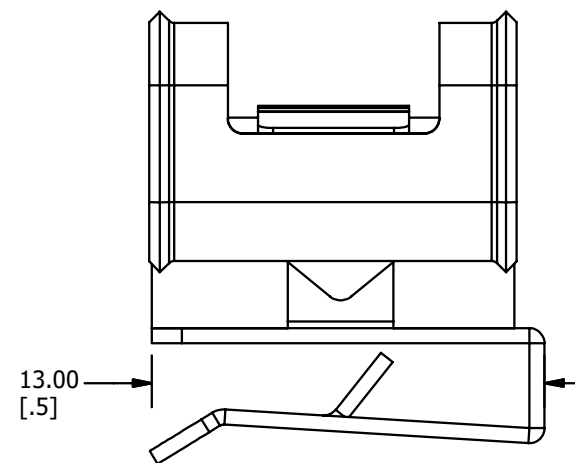
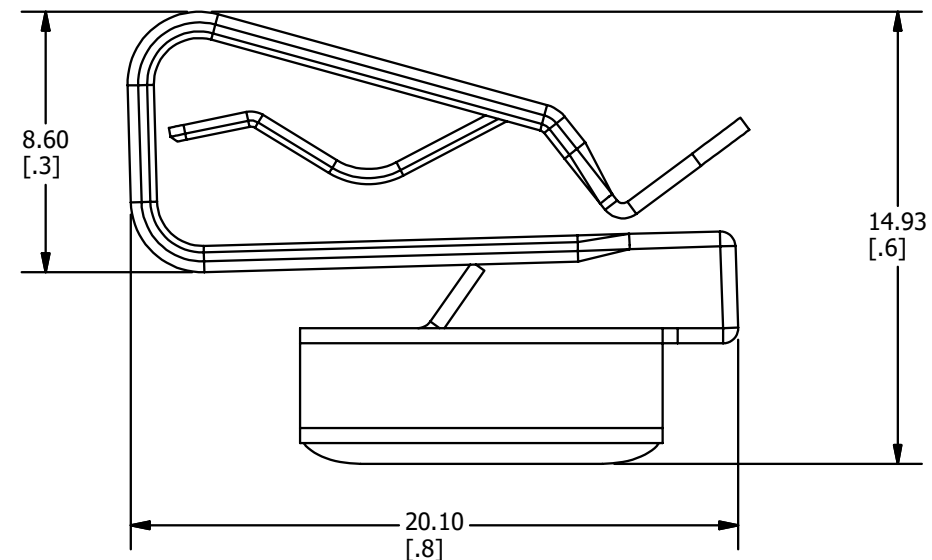
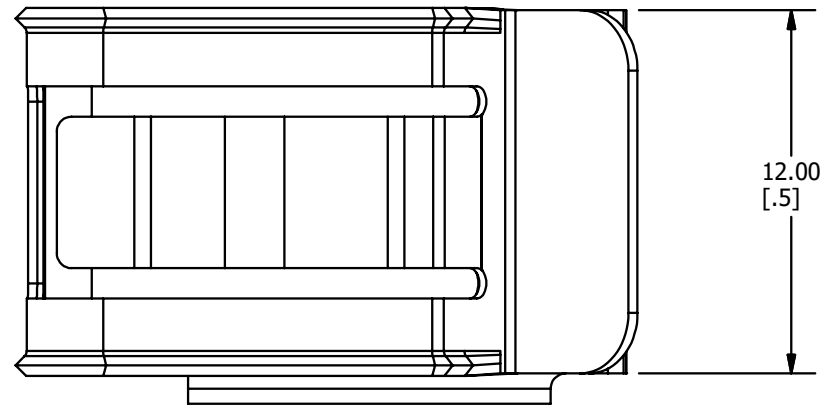


REV	DATE	DESCRIPTION	ECO	BY	C'H.K.
A	07/05/2019	UPDATE ACC-F90-1 DRAWING FOR MARKING	51388	TM	EM



3D VIEWS

NOTES:

1. MATERIAL: 304 STAINLESS STEEL.
2. DIMENSIONS IN BRACKETS [] ARE IN INCHES ROUNDED OFF TO THE NEAREST TENTH, UNLESS OTHERWISE SPECIFIED AND ARE FOR REFERENCE ONLY.
3. DESIGNED TO HOLD UP TO (2) USE-2 WIRES OR UP TO (2) PV WIRES.
4. LISTED TO UL1565 STANDARD FOR POSITIONING DEVICES.

TO ORDER BURNDY PRODUCTS CALL
 UNITED STATES
 1-800-346-4175 (LONDONDERRY, NH)
 CANADA:
 1-800-361-6975 (QUEBEC)
 1-800-387-6487 (ALL OTHER PROVINCES)
 FOR PRODUCT INFO: <http://www.burndy.com>

ACME CABLE CLIP		DRAWING NO	REV
ITEM NO: 50102153		50102155	A
CAT. NO: ACC-F90-1		SHEET 1 OF 1	
DRAWN BY: G.NATHTR	09-07-2015		
CHECKER: E.MARTIN	12-08-2019		
DSN APRVL: E.MARTIN	12-08-2019		
PUR APRVL: J.VERRANAULT	12-08-2019		
QA APRVL: B.ELLIOTT	12-08-2019		
MKT APRVL: S.PARSONS	27-08-2019		
PROD FAM: WILEY	SIZE		
PROJECT #:	B		
DOCUMENT TYPE: SALES			
REL LEVEL: Released			