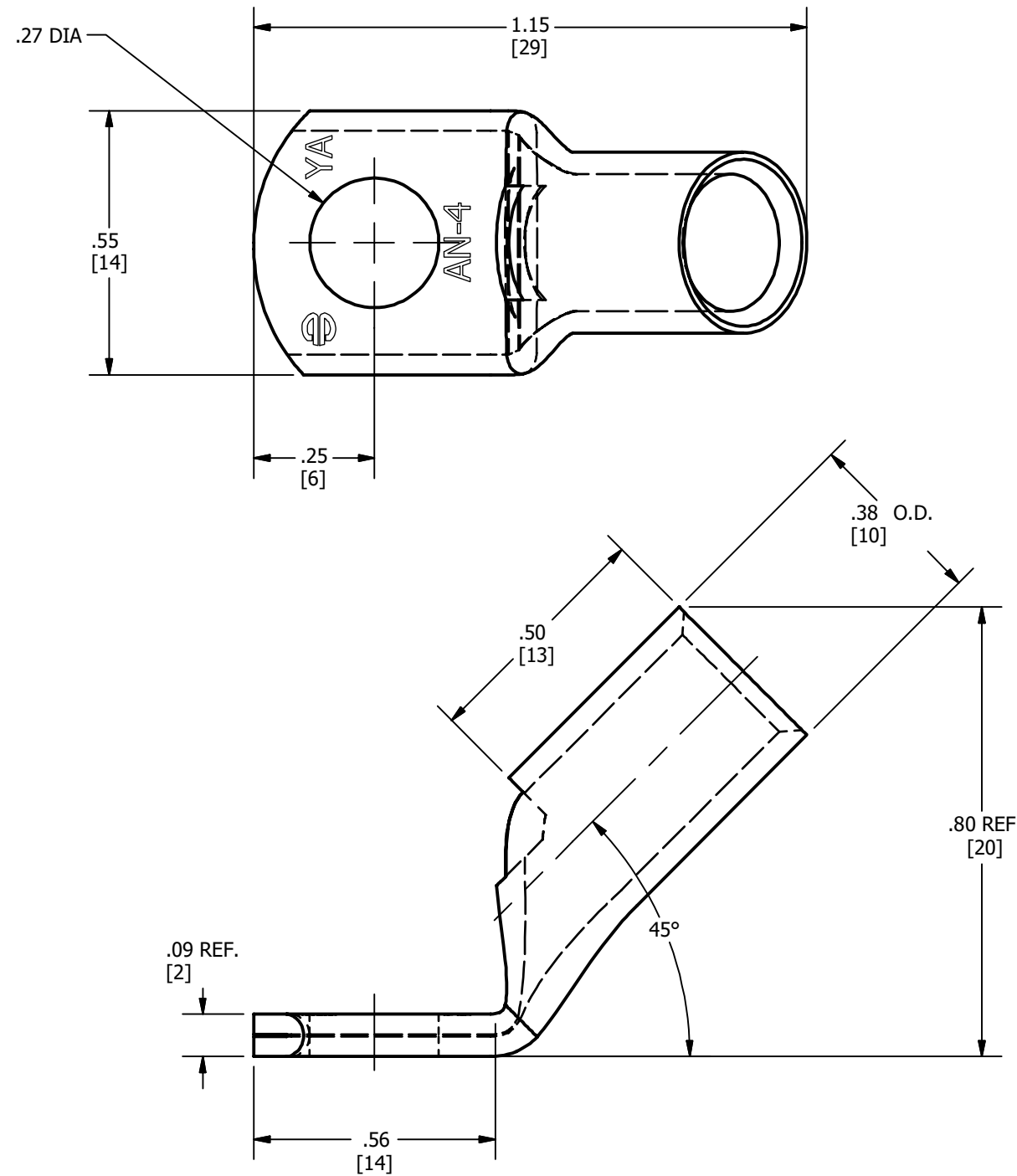


REV	DATE	DESCRIPTION	ECO	BY	C'H.K.
A	08/27/19	UPDATED AS PER MARKUP	52012	SS	WP



**NOTES:**

1. MATERIAL : COPPER TUBING.
2. FINISH : TIN PLATED.
3. DIMENSIONS IN BRACKETS [ ] ARE IN MILLIMETERS ROUNDED OFF TO THE NEAREST MILLIMETER, UNLESS OTHERWISE SPECIFIED AND ARE FOR REFERENCE ONLY.

TO ORDER BURNDY® PRODUCTS CALL		HYLUG™	
UNITED STATES		ITEM NO: 26003215	
1-800-346-4175 (LONDONDERRY, NH)		CAT. NO: YAV4CL45	
CANADA:		DRAWN BY: M.SAURABH 08/27/19	
1-800-361-6975 (QUEBEC)		CHECKER: P.WINSON 08/27/19	
1-800-387-6487 (ALL OTHER PROVINCES)		DSN APRVL: R.ROMAN 09/12/19	
FOR PRODUCT INFO: <a href="http://www.burndy.com">http://www.burndy.com</a>		MFG APRVL: --	
		QA APRVL: T.WATTS 09/12/19	
		MKT APRVL: --	
PROJ #: FPN1908051		DRAWING NO	
DOCUMENT TYPE: SALES		50103883	
REL LEVEL: Released		REV	
		A	