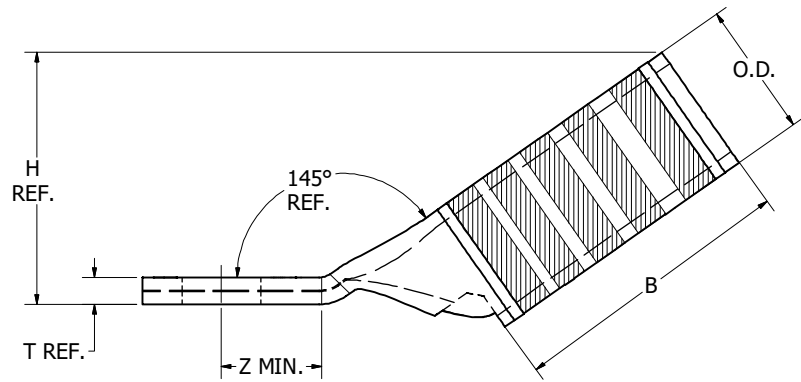
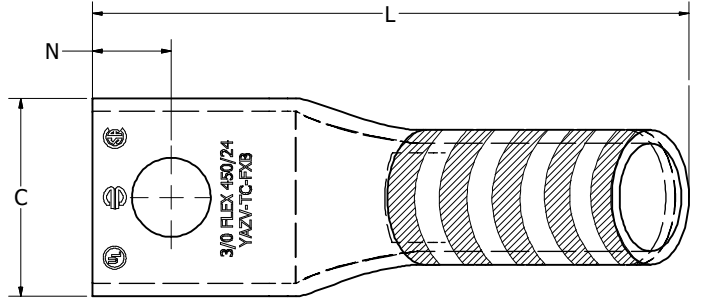


CATALOG NO.	ITEM NO.	COPPER CONDUCTOR ACCOMMODATED			BOLT SIZE	DIMENSIONS									
		FLEX	CODE (AWG)	METRIC (mm <sup>2</sup> , FLEX, CLASS 5)		B± .08	C± .04	H REF.	K± .02	L± .12	N± .03	T REF.	Z MIN.	O.D. ± .01	
YAZV26TC38FX145	50097006	2/0 WELD 325/24	2/0 AWG	70	3/8 [M10]	1.50 [38]	.93 [24]	1.30 [33]	.41 [10]	3.00 [76]	.41 [10]	.13 [3]	.42 [11]	.63 [16]	
YAZV27TC38FX145	50097007	3/0 WELD 450/24	3/0 AWG	--	3/8 [M10]	1.50 [38]	1.03 [26]	1.82 [46]	.41 [10]	3.10 [79]	.41 [10]	.14 [4]	.42 [11]	.70 [18]	

REV	DATE	DESCRIPTION	ECO	BY	CHK.
A	03/19/2020	"H" DIMENSION MODIFIED FOR YAZV26TC38FX145	53206	DD	MA

INSTALLATION TOOLING ( # CRIMPS)										
CATALOG NO.	DIE INFORMATION		MECHANICAL		HYDRAULIC				DIELESS (#CRIMPS)	WIRE STRIP LENGTH
	COLOR CODE	DIE INDEX	MD7-34R	OUR840	PAT600 Y500CT	Y750, Y35, Y39, PAT750	Y46, PAT46 $\triangleleft$ 4	Y45 $\triangleleft$ 3		
YAZV26TC38FX145	BLACK	13	W26VT X26RT W26RT (4)	X26RT W26VT (4)	W26VT X26RT W26RT (4)	U26RT (2)	U26RT (2)	U26RT (2)	MECHANICAL MY29- 11 ( 1 )  HYDRAULIC : Y644, Y644M PAT644M, Y644MBH ( 1 )	1 -9/16"
YAZV27TC38FX145	ORANGE	14	W27VT X27RT W27RT (4)	X27RT W27VT (4)	W27VT X27RT W27RT (4)	U27RT (2)	U27RT (2)	U27RT (2)	Y8IKFTMBH PAT81KFT-I8V, YPC834MBH. PAT4PC834-I8V ( 1 )	



- NOTES:
1. MATERIAL : COPPER TUBING .
  2. FINISH : TIN PLATED .
  3. CATALOG # PT6515 ADAPTOR IS REQUIRED TO USE "U" DIES IN Y45 SERIES TOOLS .
  4. CATALOG # PUADP-1 ADAPTOR IS REQUIRED TO USE "U" DIES IN Y46 SERIES TOOLS.
  5. DIMENSIONS IN BRACKETS [ ] ARE IN MILLIMETERS ROUNDED OFF TO THE NEAREST MILLIMETER , UNLESS OTHERWISE SPECIFIED ,AND ARE FOR REFERENCE ONLY.

TO ORDER BURNDY® PRODUCTS CALL		HYLUG™															
UNITED STATES 1-800-346-4175 (LONDONDERRY, NH)		ITEM NO: SEE TABLE															
CANADA: 1-800-361-6975 (QUEBEC) 1-800-387-6487 (ALL OTHER PROVINCES)		CAT. NO: YAZV-TC38FX145															
FOR PRODUCT INFO: <a href="http://www.burndy.com">http://www.burndy.com</a>		<table border="1"> <tr> <td>DRAWN BY: M.SAURABH</td> <td>09/03/2019</td> </tr> <tr> <td>CHECKER: P.WINSON</td> <td>09/03/2019</td> </tr> <tr> <td>DSN APRVL: J.MICHAUD</td> <td>09/19/2020</td> </tr> <tr> <td>MFG APRVL: --</td> <td></td> </tr> <tr> <td>QA APRVL: T.WATTS</td> <td>03/19/2020</td> </tr> <tr> <td>MKT APRVL: B.MICHAUD</td> <td>03/19/2020</td> </tr> <tr> <td>PROD FAM: --</td> <td></td> </tr> </table>		DRAWN BY: M.SAURABH	09/03/2019	CHECKER: P.WINSON	09/03/2019	DSN APRVL: J.MICHAUD	09/19/2020	MFG APRVL: --		QA APRVL: T.WATTS	03/19/2020	MKT APRVL: B.MICHAUD	03/19/2020	PROD FAM: --	
DRAWN BY: M.SAURABH	09/03/2019																
CHECKER: P.WINSON	09/03/2019																
DSN APRVL: J.MICHAUD	09/19/2020																
MFG APRVL: --																	
QA APRVL: T.WATTS	03/19/2020																
MKT APRVL: B.MICHAUD	03/19/2020																
PROD FAM: --																	
PROJECT #: FPN1811056		SIZE	DRAWING NO														
DOCUMENT TYPE: SALES		D	50103899														
REL LEVEL: Released			A														
			SHEET 1 OF 1														