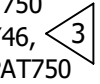
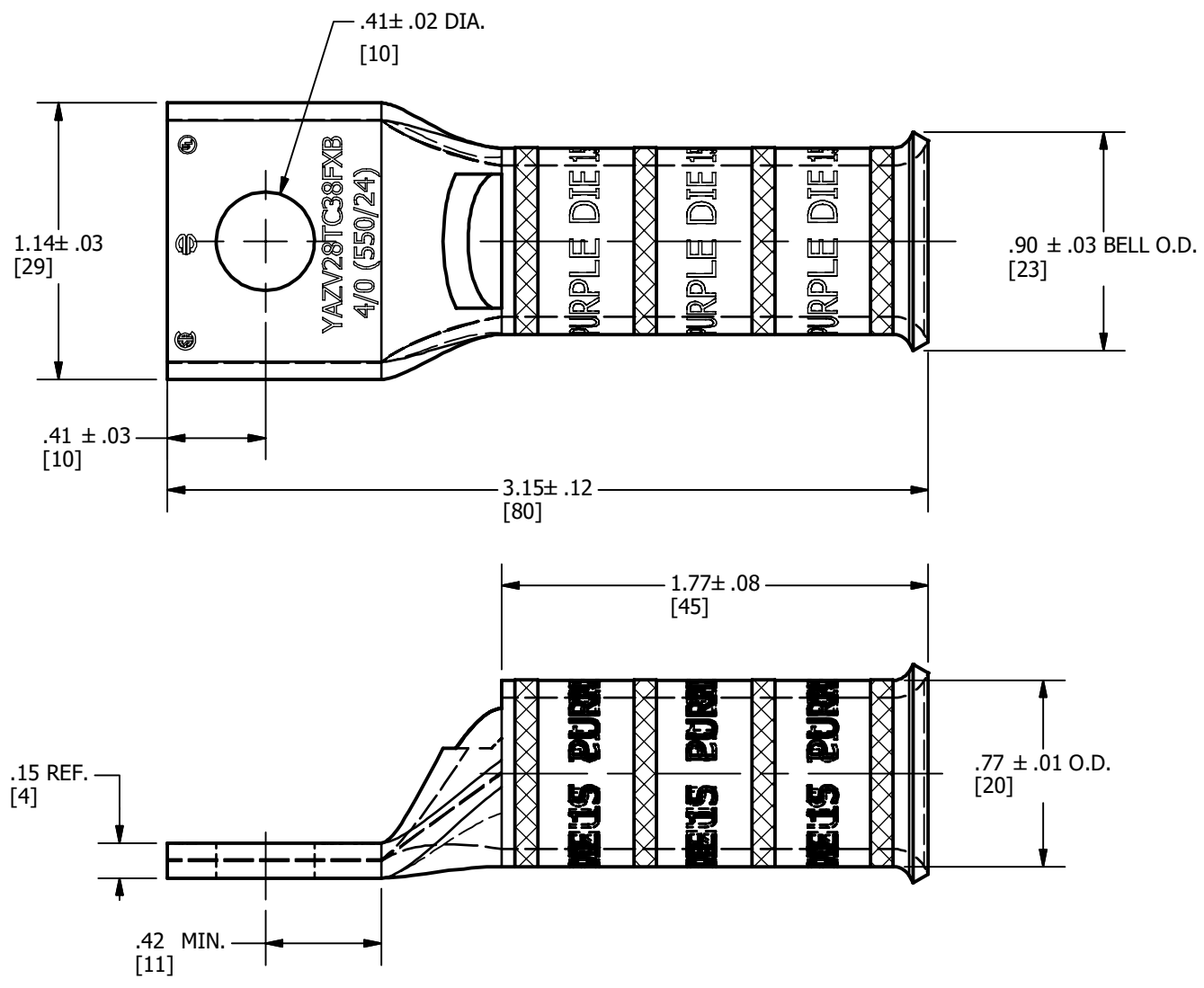


CATALOG NUMBER	CONDUCTOR		BOLT SIZE	BURNDY INSTALLATION TOOLING (# CRIMPS)						
	AWG/KCMIL	MM ² (CLASS 2 & CLASS 5)		DIE INDEX	COLOR CODE	MECHANICAL	HYDRAULIC		DIELESS (# OF CRIMPS)	WIRE STRIP LENGTH
YAZV28TC38FXB	4/0 AWG 4/0 Flex G,H,I,K,M, DLO (550/24)	120	3/8 [M10]	15	PURPLE	MD6, OUR840, MD7-34R	BCT500HS, Y500CTHS	Y35, Y39, Y750 Y46,  PAT750	MY29-11 (2) Y / PAT644 (1) Y / PAT81KFT (2)	1-11/16"

REV	DATE	DESCRIPTION	ECO	BY	C'H'K.
A	06/30/2020	NEW DRAWING CREATION	53795	YR	SS



NOTES:

1. MATERIAL: COPPER TUBING.
2. FINISH: TIN PLATED.
3. CATALOG # PUADP-1 ADAPTOR IS REQUIRED TO USE "U" DIES IN Y46 SERIES TOOLS.
4. CONNECTORS ARE UL LISTED AND CSA CERTIFIED. UNDRILLED VERSIONS ARE NOT LISTED OR CERTIFIED.
5. DIMENSIONS IN BRACKETS [] ARE IN MILLIMETERS ROUNDED OFF TO THE NEAREST MILLIMETER, UNLESS OTHERWISE SPECIFIED AND ARE FOR REFERENCE ONLY.

TO ORDER BURNDY® PRODUCTS CALL		HYLUG™	
UNITED STATES 1-800-346-4175 (LONDONDERRY, NH)		ITEM NO: 10061493	
CANADA: 1-800-361-6975 (QUEBEC) 1-800-387-6487 (ALL OTHER PROVINCES)		CAT. NO: YAZV28TC38FXB	
FOR PRODUCT INFO: http://www.burndy.com		DRAWN BY: R.YOGARA 06/30/2020	
		CHECKER: R.ROMAN 09/26/2020	
		DSN APRVL: R.ROMAN 09/26/2020	
		MFG APRVL: []	
		QA APRVL: J.BRODEUR 08/14/2020	
		MKT APRVL: B.MICHAUD 01/13/2021	
		PROD FAM: CM&R COMPRESSION	
		DRAWING NO	
		50105100	
		REV	
		A	
		SHEET 1 OF 1	