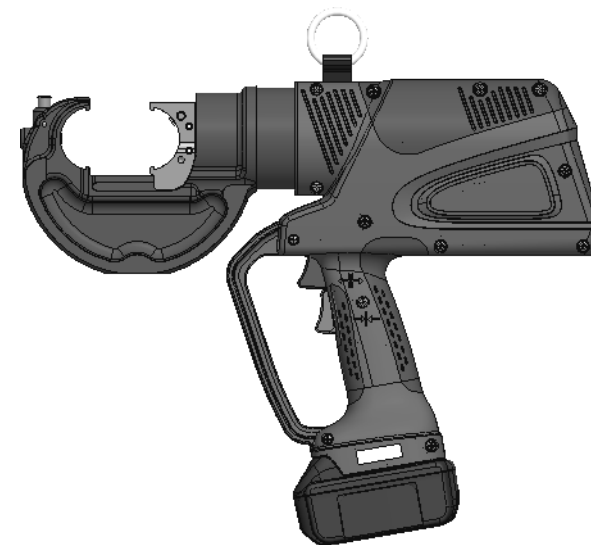


PATRIOT BAG KITS			
CATALOG NUMBER	DESCRIPTION	BATTERY AH	CHARGER
PAT750LIPB	PAT750LI WITH BAG, 3 AH BATTERY & CHARGER	3 AH	YES
PAT750L5PB	PAT750L5 WITH BAG, 5 AH BATTERY & CHARGER	5 AH	YES
PAT750LILCBPB	PAT750LI WITH BAG, LESS BATTERY & CHARGER	NONE	NO
PAT750CLIPB	PAT750LI COVERED HEAD WITH BAG, 3 AH BATTERY & CHARGER	3 AH	YES
PAT750CL5PB	PAT750L5 COVERED HEAD WITH BAG, 5 AH BATTERY & CHARGER	5 AH	YES
PAT750CLILCBPB	PAT750LI COVERED HEAD WITH BAG, LESS BATTERY & CHARGER	NONE	NO
PAT46LWLIPB	PAT46LWLI WITH BAG, 3 AH BATTERY & CHARGER	3 AH	YES
PAT46LWL5PB	PAT46LWL5 WITH BAG, 5 AH BATTERY & CHARGER	5 AH	YES
PAT46LWLILCBPB	PAT46LWLI WITH BAG, LESS BATTERY & CHARGER	NONE	NO
PAT46LWSLIPB	PAT46LWSLI WITH BAG, 3 AH BATTERY & CHARGER	3 AH	YES
PAT46LWSL5PB	PAT46LWSL5 WITH BAG, 5 AH BATTERY & CHARGER	5 AH	YES
PAT46LWSLILCBPB	PAT46LWSLI WITH BAG, LESS BATTERY & CHARGER	NONE	NO
PAT46CLWSLIPB	PAT46CLWSLI COVERED HEAD WITH BAG, 3 AH BATTERY & CHARGER	3 AH	YES
PAT46CLWSL5PB	PAT46CLWSL5 COVERED HEAD WITH BAG, 5 AH BATTERY & CHARGER	5 AH	YES
PAT46CLWSLILCBPB	PAT46CLWSLI COVERED HEAD WITH BAG, LESS BATTERY & CHARGER	NONE	NO
PAT644LIPB	PAT644LI WITH BAG, 3 AH BATTERY & CHARGER	3 AH	YES
PAT644L5PB	PAT644L5 WITH BAG, 5 AH BATTERY & CHARGER	5 AH	YES
PAT644LILCBPB	PAT644LI WITH BAG, LESS BATTERY & CHARGER	NONE	NO
PAT444SLIPB	PAT444LI WITH BAG, 3 AH BATTERY & CHARGER	3 AH	YES
PAT444SL5PB	PAT444L5 WITH BAG, 5 AH BATTERY & CHARGER	5 AH	YES
PAT444SLILCBPB	PAT444LI WITH BAG, LESS BATTERY & CHARGER	NONE	NO
PAT81KFTLIPB	PAT81KFTLI WITH BAG, 3 AH BATTERY & CHARGER	3 AH	YES
PAT81KFTL5PB	PAT81KFTL5 WITH BAG, 5 AH BATTERY & CHARGER	5 AH	YES
PAT81KFTLILCBPB	PAT81KFTLI WITH BAG, LESS BATTERY & CHARGER	NONE	NO
PAT4PC834LIPB	PAT4PC834LI WITH BAG, 3 AH BATTERY & CHARGER	3 AH	YES
PAT4PC834L5PB	PAT4PC834L5 WITH BAG, 5 AH BATTERY & CHARGER	5 AH	YES
PAT4PC834LILCBPB	PAT4PC834LI WITH BAG, LESS BATTERY & CHARGER	NONE	NO
PAT600LIPB	PAT600LI WITH BAG, 3 AH BATTERY & CHARGER	3 AH	YES
PAT600L5PB	PAT600L5 WITH BAG, 5 AH BATTERY & CHARGER	5 AH	YES
PAT600LILCBPB	PAT600LI WITH BAG, LESS BATTERY & CHARGER	NONE	NO
PAT600CLIPB	PAT600CLI COVERED HEAD WITH BAG, 3 AH BATTERY & CHARGER	3 AH	YES
PAT600CL5PB	PAT600CL5 COVERED HEAD WITH BAG, 5 AH BATTERY & CHARGER	5 AH	YES
PAT600CLILCBPB	PAT600CLI COVERED HEAD WITH BAG, LESS BATTERY & CHARGER	NONE	NO
PATCUT2156LIPB	PATCUT2156LI WITH BAG, 3 AH BATTERY & CHARGER	3 AH	YES
PATCUT2156L5PB	PATCUT2156L5 WITH BAG, 5 AH BATTERY & CHARGER	5 AH	YES
PATCUT2156LILCBPB	PATCUT2156LI WITH BAG, LESS BATTERY & CHARGER	NONE	NO
PATCUT129LIPB	PATCUT129LI WITH BAG, 3 AH BATTERY & CHARGER	3 AH	YES
PATCUT129L5PB	PATCUT129L5 WITH BAG, 5 AH BATTERY & CHARGER	5 AH	YES
PATCUT129LILCBPB	PATCUT129LI WITH BAG, LESS BATTERY & CHARGER	NONE	NO
PATCUT245LIPB	PATCUT245LI WITH BAG, 3 AH BATTERY & CHARGER	3 AH	YES
PATCUT245L5PB	PATCUT245L5 WITH BAG, 5 AH BATTERY & CHARGER	5 AH	YES
PATCUT245LILCBPB	PATCUT245LI WITH BAG, LESS BATTERY & CHARGER	NONE	NO
PATCUT1500LIPB	PATCUT1500LI WITH BAG, 3 AH BATTERY & CHARGER	3 AH	YES
PATCUT1500L5PB	PATCUT1500L5 WITH BAG, 5 AH BATTERY & CHARGER	5 AH	YES
PATCUT1500LILCBPB	PATCUT1500LI WITH BAG, LESS BATTERY & CHARGER	NONE	NO

REV.	DATE	DESCRIPTION	ECO	BY	C'H'K.
B	2019-12-20 00:00:00 EST	DRAWING RELEASED	52517	GM	RM



PAT750LI SHOWN



NOTES:

1. CARRY BAG MADE OF WATER PROOF HEAVY DUTY NYLON, EQUIPPED WITH NICKEL COATED STEEL HARDWARE AND DUAL HEAVY DUTY ZIPPERS.
2. LI / L5 KITS SUPPLIED WITH LANYARD, (2X) MAKITA LITHIUM ION BL SERIES BATTERIES OF NOTED CURRENT CAPACITY AND (1X) 110V TWO PRONG MAKITA LITHIUM ION CHARGER.
3. ALL TOOLS OTHER THAN PATCUT1500 BACKED BY BURNDY 5 YEAR LIMITED WARRANTY.
4. PATCUT1500 BACKED BY 3 YEAR LIMITED WARRANTY.
5. FOR PATMDLW KITS, SEE SALES DRAWING 50054521.

TO ORDER BURNDY® PRODUCTS CALL

UNITED STATES:
1-800-346-4175 (LONDONDERRY, NH)

CANADA:
1-800-361-6975 (QUEBEC)
1-800-387-6487 (ALL OTHER PROVINCES)

FOR PRODUCT INFO: <http://www.burndy.com>

BAG KITS	
ITEM NO: N/A	CAT. NO: SEE TABLE
DRAWN BY: T. FAUCHER 10/03/2019	CHECKER: C. TORREY 10/04/2019
DSN APPVL: C. TORREY 10/07/2019	MFG APPVL: S. BURNS 10/07/2019
QA APPVL: C. LINDQUIST 10/07/2019	MKT APPVL: K. SCHAEFER 10/07/2019
PROD FAM: TOOLS, BATTERY	SCALE: 1:8
PROJECT #: --	DRAWING NO
DOCUMENT TYPE: Sales	50106125
REL LEVEL: Released	B
	SHEET 1 OF 1

