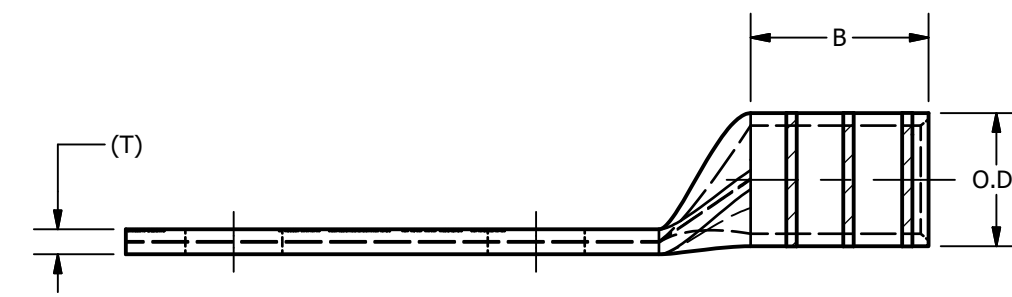
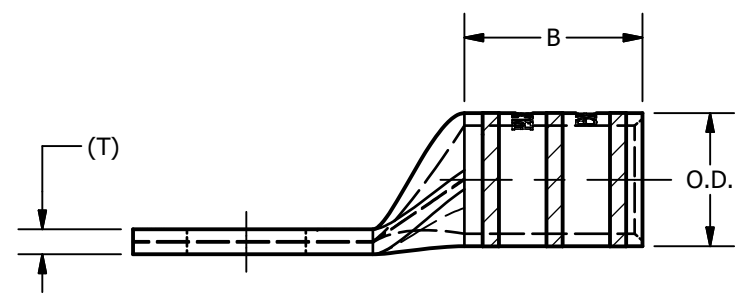
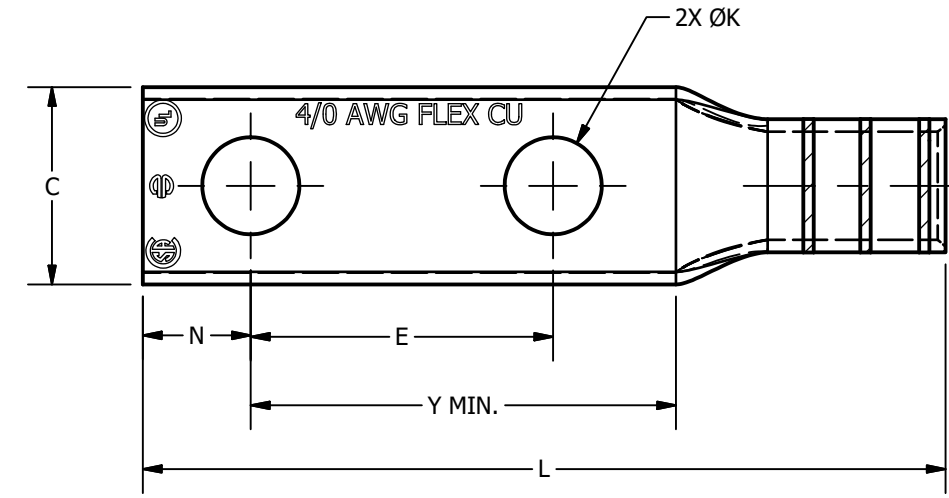
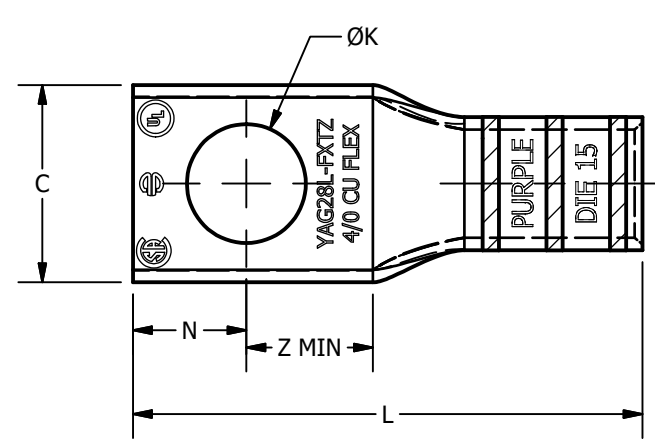


Catalog Number - Zinc Tin	CONDUCTOR	Fig No	B ±.06	C ±.04	E ±.02	K ±.02	L ±.12	O.D. ±.01	N ±.03	T Ref	Y MIN	Z MIN	DIE INDEX
YAG28L2NTCFXTZ	4/0 AWG CLASS B,C 4/0 FLEX CLASS G,H,I,K,M DLO (550/24)	2	1.03	1.14	1.75	0.56	4.65	0.77	0.63	0.15	2.40	-	15
YAG28L2TC38FXTZ		2	1.03	1.55	1.00	0.41	3.46	0.77	0.41	0.15	1.43	-	
YAG28L2TC38FXTZ		2	1.03	1.14	1.00	0.41	3.46	0.77	0.41	0.15	1.43	-	
YAG28L2NT38FXTZ		2	1.03	0.90	1.00	0.41	3.46	0.77	0.41	0.15	1.43	-	
YAG28L2TC516FXTZ		2	1.03	1.14	1.00	0.33	3.33	0.77	0.34	0.15	1.37	-	
YAG28LTC38FXTZ		1	1.03	1.14	-	0.41	2.45	0.77	0.41	0.15	-	0.42	
YAG28LTC516N66FXTZ		1	1.03	1.14	-	0.33	2.64	0.77	0.66	0.15	-	0.36	
YAG28LTC516FXTZ		1	1.03	1.14	-	0.33	2.32	0.77	0.34	0.15	-	0.36	
YAG28LTC12FXTZ		1	1.03	1.14	-	0.53	2.70	0.77	0.53	0.15	-	0.55	
YAG28LTC14FXTZ		1	1.03	1.14	-	0.27	2.26	0.77	0.31	0.15	-	0.33	
YAG28LTC58FXTZ		1	1.03	1.14	-	0.69	2.95	0.77	0.66	0.15	-	0.67	
YAV282TC38FXTZ		2	1.62	1.14	1.00	0.41	4.05	0.77	0.41	0.15	1.43	-	
YAG28L2NTCFXTZYEL		4/0 FLEX CLASS G,H,I,K,M DLO (550/24)	2	1.03	1.14	1.75	0.56	4.65	0.77	0.63	0.15	2.40	
YAG28L2TC38FXTZYEL	2	1.03	1.14	1.00	0.41	3.46	0.77	0.41	0.15	1.43	-		

REV	DATE	DESCRIPTION	ECO	BY	C'H'K.
A	10/28/2019	NEW DRAWING	52389	JL	RR

BURNDY INSTALLATION TOOLING (CRIMPS)									
DIE INDEX	COLOR CODE	MECHANICAL			HYDRAULIC			DIELESS	WIRE STRIP LENGTH
		MD7-34B MD6	OURB40	PATND6 PAT600 Y5DOCT	Y750, Y35 Y39, PAT750	Y46 PAT46	Y45		
15	PURPLE	W28RT (2) W28VT (2)	X28RT (3)	W28RT (2) W28VT (2)	U28RT (1)	U28RT (1)	U28RT (1)	MECHANICAL MY2911 (1) HYDRUL Y644 (1) PAT644 (1) PAT444 (1) Y81KFT (1) PAT81KFT (1)	1 - 1/16"
16	yellow	W29RT (2) W29VT (2)	X29RT (4)	W29RT (2) W29VT (2)	U29RT (1)	U29RT (1)	U29RT (1)		



NOTES:

1. DIMENSIONS IN BRACKETS [] ARE IN MILLIMETERS ROUNDED OFF TO THE NEAREST MILLIMETER, UNLESS OTHERWISE SPECIFIED AND ARE FOR REFERENCE ONLY.
2. MATERIAL: COPPER TUBING TIN - ZINC PLATED
3. UL LISTED AND CSA CERTIFIED CONNECTOR.

TO ORDER BURNDY® PRODUCTS CALL		HYLUG™	
UNITED STATES 1-800-346-4175 (LONDONDERRY, NH)		ITEM NO: SEE TABLE	
CANADA: 1-800-361-6975 (QUEBEC) 1-800-387-6487 (ALL OTHER PROVINCES)		CAT. NO: SEE TABLE	
FOR PRODUCT INFO: http://www.burndy.com		DRAWN BY: JL BERGERON 10/28/2019	
		CHECKER: R.ROMAN 10/28/2019	
		DSN APRVL: R.ROMAN 11/19/2019	
		MFG APRVL: - -	
		QA APRVL: T.WATTS 11/18/2019	
		MKT APRVL: B.MICHAUD 11/18/2019	
		PROD FAM: TOOLS, MECHANICAL	DRAWING NO
		PROJECT #: NPD02763	50106569
		DOCUMENT TYPE: SALES	REV
		REL LEVEL: Released	A
		SIZE	SHEET 1 OF 1
		B	