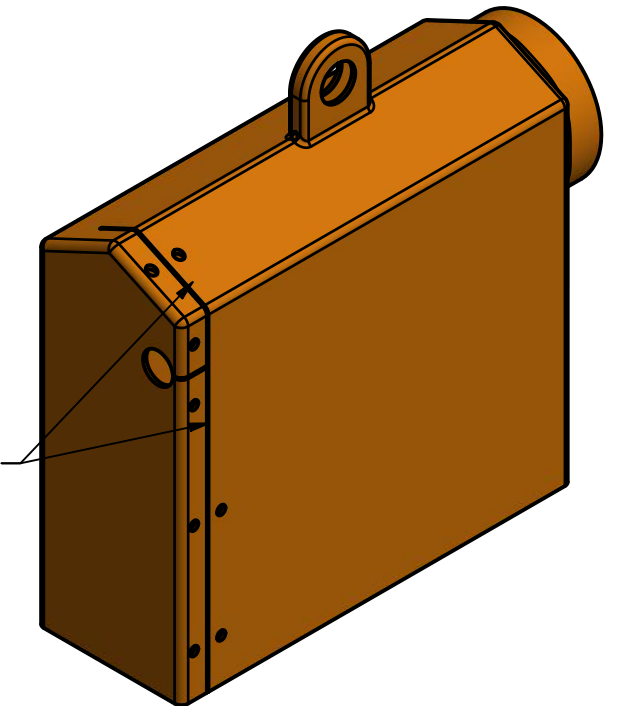
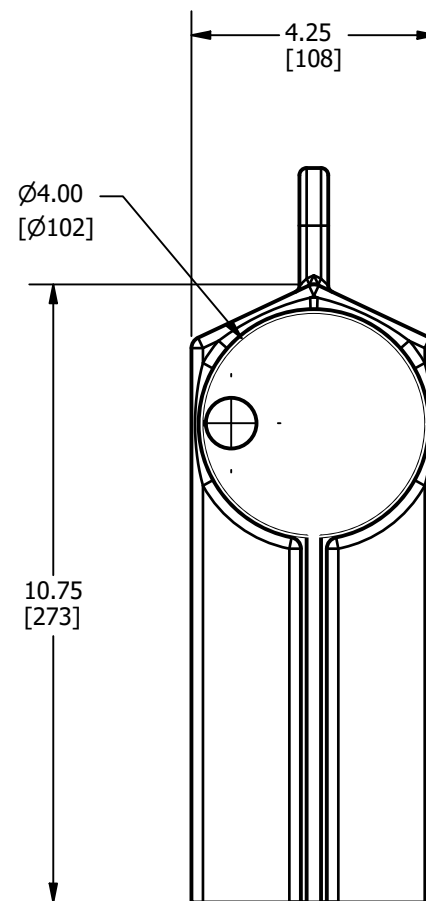
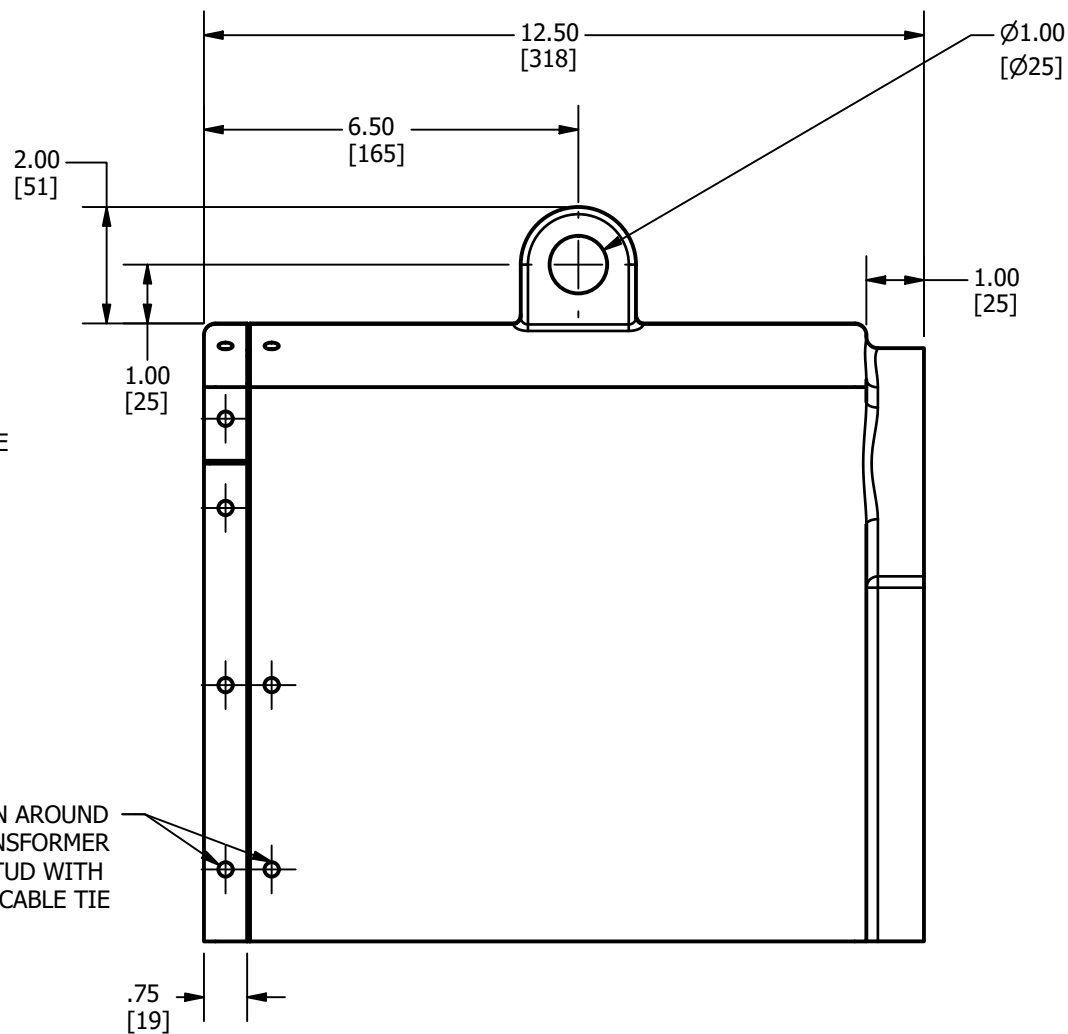
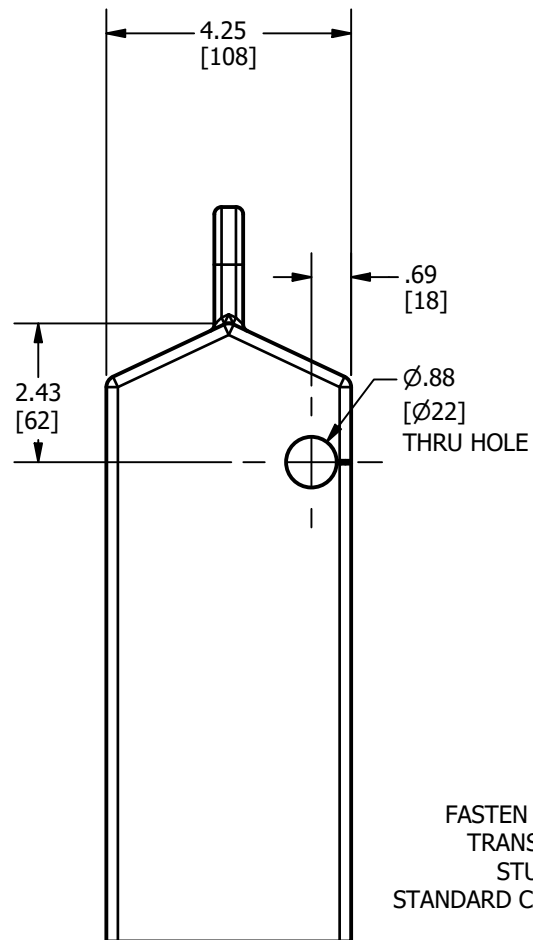
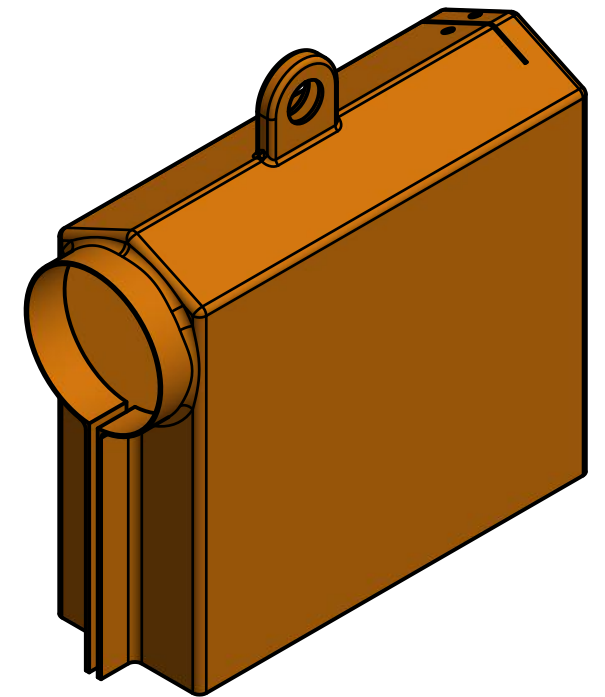
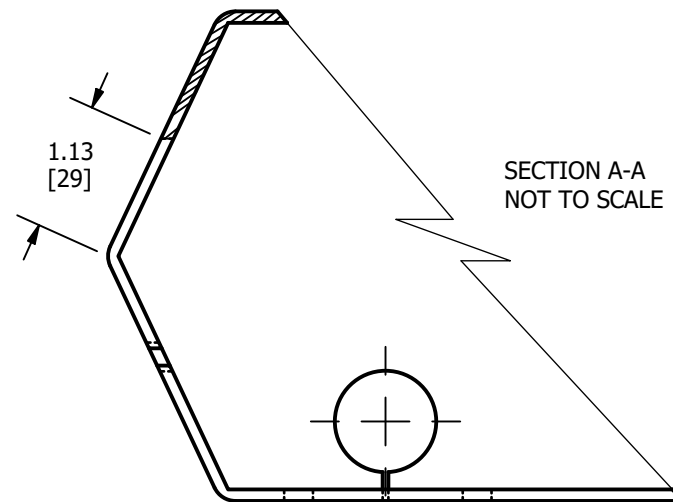
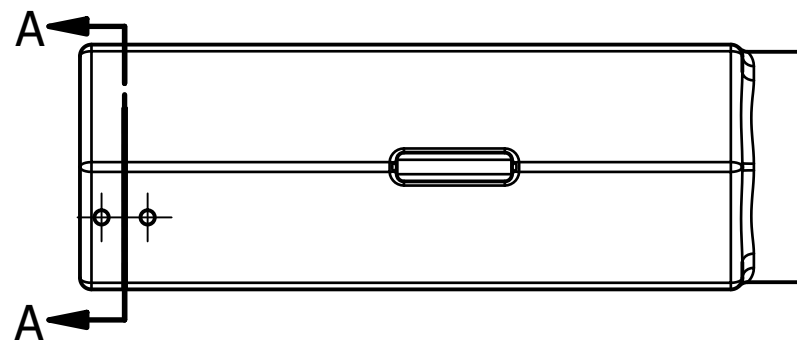


ITEM NUMBER	CATALOG NUMBER	MATERIAL
50106618	COVERYA5ORG	ORANGE PLASTISOL
50106619	COVERYA5BLK	BLACK PLASTISOL

REV	DATE	DESCRIPTION	ECO	BY	C'H'K.
B	09/04/2020	UPDATED PART	54207	JL	TR



NOTES:

1. DIMENSIONS IN BRACKETS [] ARE IN MILLIMETERS ROUNDED OFF TO THE NEAREST MILLIMETER, UNLESS OTHERWISE SPECIFIED AND ARE FOR REFERENCE ONLY.

TO ORDER BURNDY® PRODUCTS CALL

UNITED STATES
1-800-346-4175 (LONDONDERRY, NH)

CANADA:
1-800-361-6975 (QUEBEC)
1-800-387-6487 (ALL OTHER PROVINCES)

FOR PRODUCT INFO: <http://www.burndy.com>

COVER		ITEM NO:	REV
ITEM NO: SEE TABLE		50106617	B
CAT. NO: SEE TABLE		50106617	B
DRAWN BY: JL BERGERON	12/20/2019		DRAWING NO 50106617 REV B SHEET 1 OF 1
CHECKER: R. ROBICHEAU	12/20/2019		
DSN APRVL: K. CASTONGUAY	5/10/2020		
MFG APRVL: J. MICHAUD	5/10/2020		
QA APRVL: T. WATTS	5/11/2020		
MKT APRVL:		PROJ #:	SALES
PROD FAM:		SIZE:	B