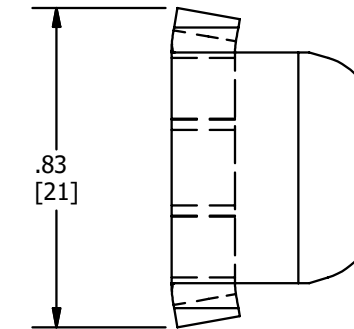
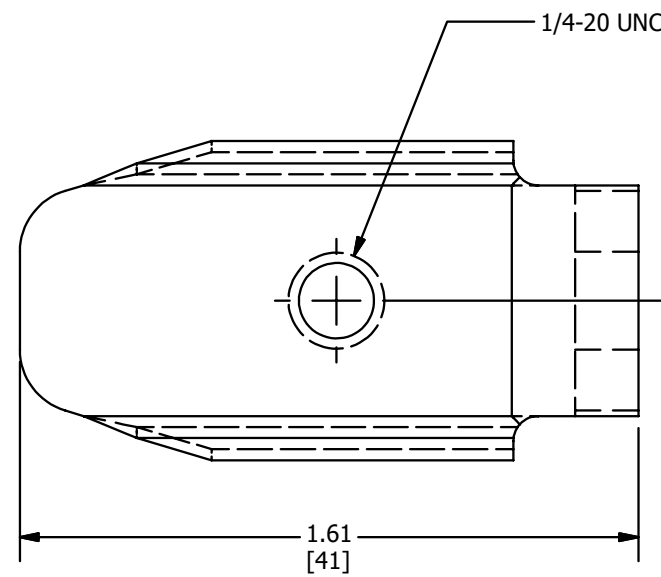
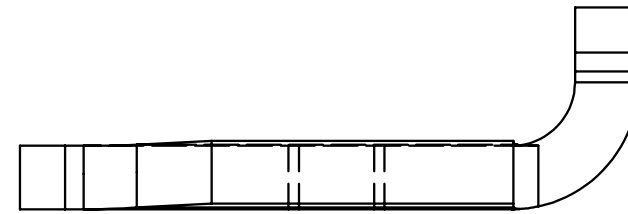


REV	DATE	DESCRIPTION	ECO	BY	C'H'K.
A	15-10-2020	MOVE DRAWING TO REVISION "A"	54415	TM	KN



NOTES:

- DIMENSIONS IN BRACKETS [] ARE IN INCHES ROUNDED OFF TO THE NEAREST TENTH, UNLESS OTHERWISE SPECIFIED AND ARE FOR REFERENCE ONLY.

TO ORDER BURNDY® PRODUCTS CALL		MID CLAMP	
UNITED STATES		ITEM NO: 50101104	
1-800-346-4175 (LONDONDERRY, NH)		CAT. NO: BMCFS6-1420	
CANADA:		DRAWN BY: E.MARTIN 15-01-2018	
1-800-361-6975 (QUEBEC)		CHECKER: K.NAUGLER 20-10-2020	
1-800-387-6487 (ALL OTHER PROVINCES)		DSN APRVL: E.MARTIN 21-10-2020	
FOR PRODUCT INFO: http://www.burndy.com		PUR APRVL: J.VERRANAULT 21-10-2020	
		QA APRVL: J.BRODEUR 22-10-2020	
		MKT APRVL: --	
PROD FAM: WILEY	DRAWING NO	REV	
PROJECT #: --	50110997	A	
DOCUMENT TYPE: SALES	SIZE		
REL LEVEL: Released	B		
		SHEET 1 OF 1	

