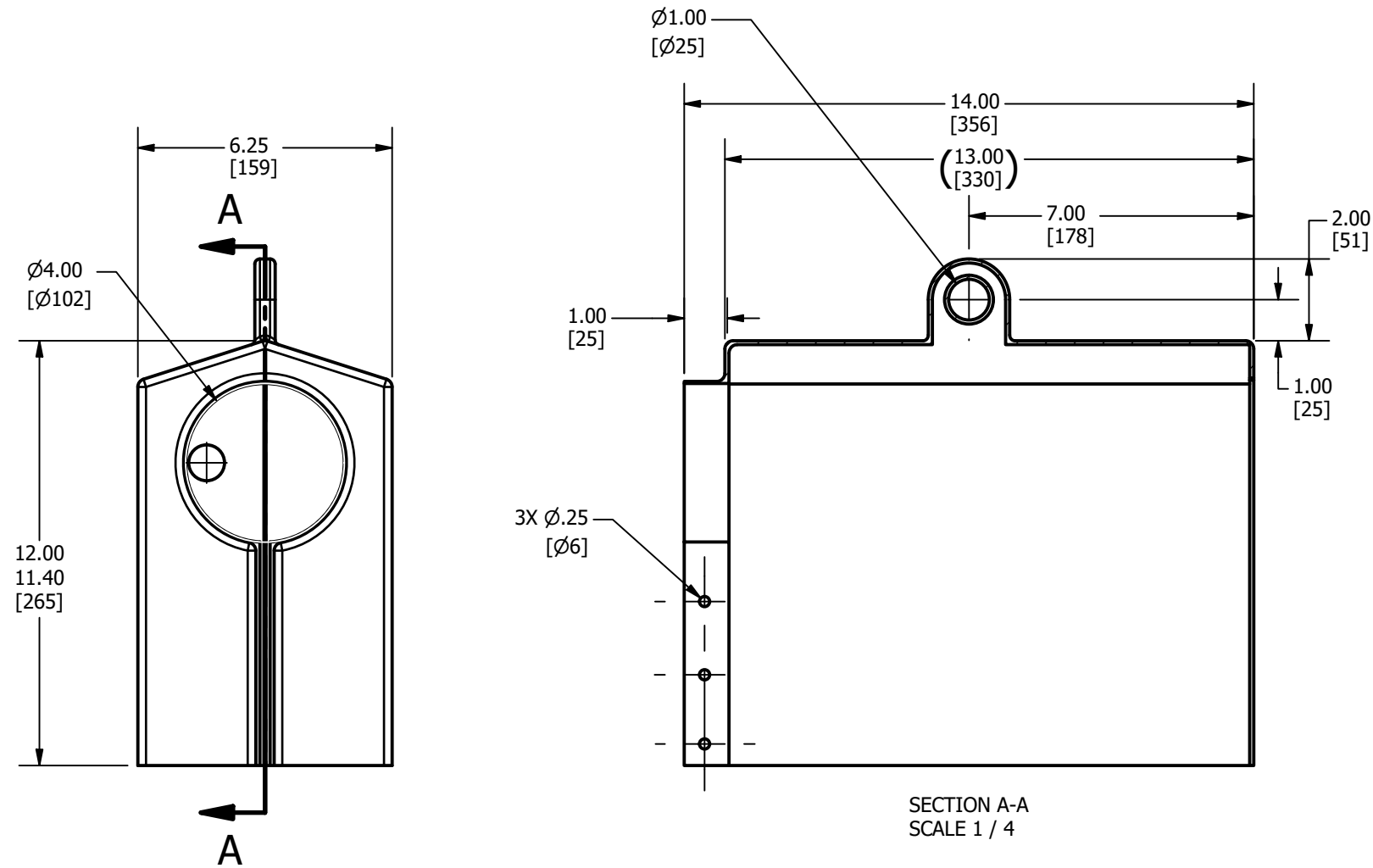
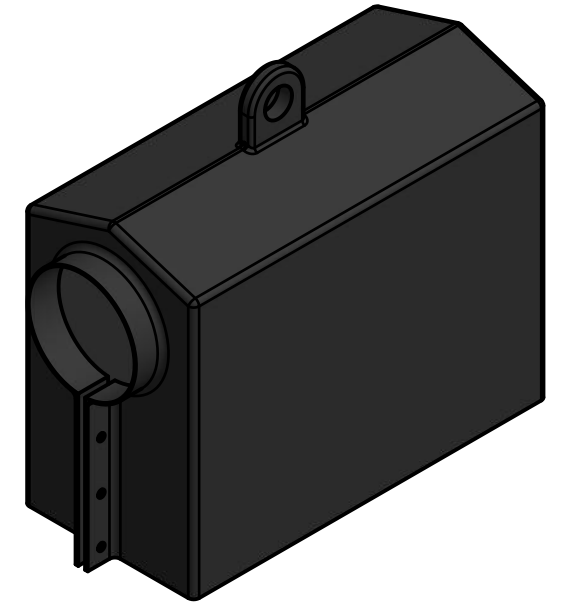
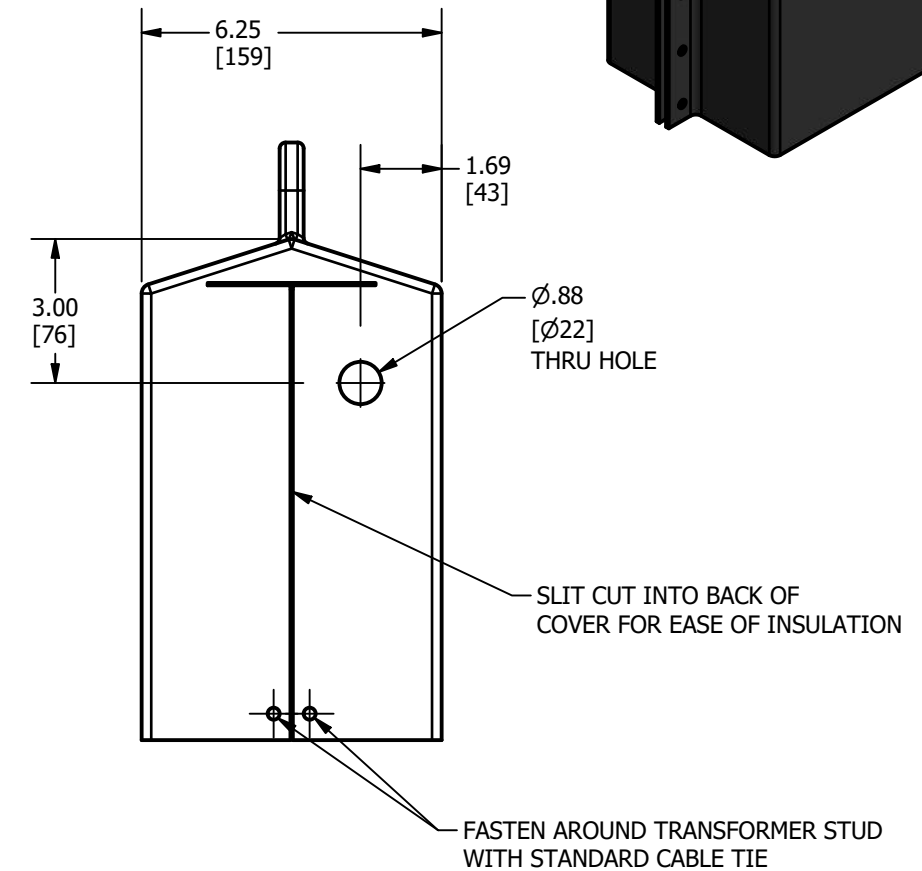


ITEM NUMBER	CATALOG NUMBER	MATERIAL
50114342	COVERYA6ORG	ORANGE PLASTISOL
50114343	COVERYA6BLK	BLACK PLASTISOL

REV	DATE	DESCRIPTION	ECO	BY	C'H'K.
C	08/12/2020	ADDED DIMENSIONS AND ADJUSTED HEIGHT	54079	JL	TR



SECTION A-A
SCALE 1 / 4



NOTES:

- DIMENSIONS IN BRACKETS [] ARE IN MILLIMETERS ROUNDED OFF TO THE NEAREST MILLIMETER, UNLESS OTHERWISE SPECIFIED AND ARE FOR REFERENCE ONLY.

TO ORDER BURNDY® PRODUCTS CALL
 UNITED STATES
 1-800-346-4175 (LONDONDERRY, NH)
 CANADA:
 1-800-361-6975 (QUEBEC)
 1-800-387-6487 (ALL OTHER PROVINCES)
 FOR PRODUCT INFO: <http://www.burndy.com>

COVER		ITEM NO: SEE TABLE	REV
CAT. NO: SEE TABLE		DRAWN BY: T. REYNOLDS 7/24/2020	
CHECKER: --		DSN APRVL: T. REYNOLDS 7/27/2020	
MFG APRVL: J. MICHAUD 7/27/2020		QA APRVL: T. WATTS 7/27/2020	
MKT APRVL: M. BAILLY 7/27/2020		PROD FAM:	DRAWING NO
PROJECT #: FPN2007083	SIZE	50114345	C
DOCUMENT TYPE: SALES	B	SHEET 1 OF 1	
REL LEVEL: Released			

