

REV	DATE	DESCRIPTION	ECO	BY	CHK.
A	2020-08-14 00:00:00 EDT	DRAWING RELEASED	54086	MM	NJS

D CATALOG NUMBER	BARREL 'A'						BARREL 'B'						DIE INDEX NO.	HYTOOL™ WITH NUMBER OF CRIMPS PER END					HYPRES™ WITH NO. OF CRIMPS PER END	
	ACSR		ALUMINUM	COPPER	METRIC	COLOR CODE	ACSR		ALUMINUM	COPPER	METRIC	COLOR CODE		MD6	OH25	OUR840	Y750	Y35		
	SIZE	STR.					SIZE	STR.												
ES2W8W																				
ES2W6W	#4 (.250 DIA.) [6mm DIA.] #4 (.257 DIA.) [7mm DIA.]	6-1	#3 STR. (.260 DIA.) [7mm DIA.] #4 STR. (.232 DIA.) [6mm DIA.] #2 SOL. (.258 DIA.) [7mm DIA.]	#3 STR. (.260 DIA.) [7mm DIA.] #4 STR. (.232 DIA.) [6mm DIA.] #2 SOL. (.258 DIA.) [7mm DIA.]	25mm²	ORANGE														
ES2W4W		7-1					#6 (.198 DIA.) [5mm DIA.]	6 - 1	#5 STR. (.206 DIA.) [5mm DIA.] #6 STR. (.184 DIA.) [5mm DIA.] #4 SOL (.204 DIA.) [5mm DIA.]	#5 STR. (.206 DIA.) [5mm DIA.] #6 STR. (.184 DIA.) [5mm DIA.] #4 SOL (.204 DIA.) [5mm DIA.]	16mm²	BLUE								
ES2W2W							#4 (.250 DIA.) [6mm DIA.] #4 (.257 DIA.) [7mm DIA.]	6 - 1 7 - 1	#3 STR. (.260 DIA.) [7mm DIA.] #4 STR. (.232 DIA.) [7mm DIA.] #2 SOL. (.258 DIA.) [7mm DIA.]	#3 STR. (.260 DIA.) [7mm DIA.] #4 STR. (.232 DIA.) [7mm DIA.] #2 SOL. (.258 DIA.) [7mm DIA.]	25mm²	ORANGE								
ES2R8W																				
ES2R6W	#2 (.316 DIA.) [8mm DIA.] #2 (.325 DIA.) [8mm DIA.]	6-1	#1 STR. (.328 DIA.) [8mm DIA.] #2 STR. (.292 DIA.) [7mm DIA.] #1 COMPT. (.299 DIA.) [8mm DIA.] #2 COMPT (.271 DIA.) [7mm DIA.]	#1 STR. (.328 DIA.) [8mm DIA.] #2 STR. (.292 DIA.) [7mm DIA.] #2 STR. (.320 DIA.) [8mm DIA.]	---	RED														
ES2R4W		7-1					#6 (.198 DIA.) [5mm DIA.]	6 - 1	#5 STR. (.206 DIA.) [5mm DIA.] #6 STR. (.184 DIA.) [5mm DIA.] #4 SOL. (.204 DIA.) [5mm DIA.]	#5 STR. (.206 DIA.) [5mm DIA.] #6 STR. (.184 DIA.) [5mm DIA.] #4 SOL. (.204 DIA.) [5mm DIA.]	---	BLUE								

NOTES:

1. BARREL IS PARTIALLY FILLED WITH PENETROX™ AND SEALED.

2 TWO CRIMPS MADE SIMULTANEOUSLY.

3 MULTIPLE CRIMP DIE SET.

4. MATERIAL: CONNECTOR - ALUMINUM

5. DIMENSIONS IN BRACKETS [ARE IN MILLIMETERS ROUNDED OFF TO THE NEAREST MILLIMETER, UNLESS OTHERWISE NOTED, AND ARE FOR REFERENCE ONLY.

6. INSTALLATION INSTRUCTIONS:

1. STRIP CABLE INSULATION 7/8" (STRIP LENGTH INDICATED ON INSULINK™). FOR BEST RESULTS, REMOVE COTTON BRAID FOR AN ADDITIONAL 3/4" ON WEATHERPROOF AND SE TYPE CONDUCTORS

2. SCRATCH BRUSHING OF ALUMINUM CONDUCTORS, BEFORE MAKING INSTALLATIONS, IS RECOMMENDED.

3. INSERT CONDUCTOR THRU CENTER OF CAP AND THEN PUSH CONDUCTOR SO THAT STRIPPED END SEATS IN CONNECTOR AND INSULATION ENTERS CAP.

4. USING PROPER TOOL, CRIMP BETWEEN GUIDE LINES. MAKE INNERMOST CRIMP FIRST AND CRIMP TOWARD END. REPEAT FOR OTHER-SIDE.

TO ORDER BURNDY® PRODUCTS CALL		INSULINK™ WITH METRIC REF	
UNITED STATES 1-800-346-4175 (LONDONDERRY, NH)		ITEM NO: N/A	CAT. NO: ES (TABLE)
CANADA: 1-800-361-6975 (QUEBEC) 1-800-387-6487 (ALL OTHER PROVINCES)		DRAWN BY: M MOHAN 08/17/20	CHECKER: NJ SUDHAKAR 08/17/20
FOR PRODUCT INFO: http://www.burndy.com		DSN APPVL: D DOBRINSKI 08/15/20	MFG APPVL: --
		QA APPVL: T WATTS 08/14/20	MKT APPVL: J HALL 08/14/20
		PROD FAM: --	DRAWING NO: 50115706
		PROJECT #: --	SCALE: 2:1
		DOCUMENT TYPE: Sales	REV: A
		REL LEVEL: Released	SHEET 1 OF 2

REV: PE0200

REV	DATE	DESCRIPTION	ECO	BY	C'H'K.
A	2020-08-14 00:00:00 EDT	DRAWING RELEASED	54086	MM	NJS

CATALOG NUMBER	BARREL 'A'					BARREL 'B'					DIE INDEX NO.	HYTOOL™ WITH NUMBER OF CRIMPS PER END					HYPRESS™ WITH NO. OF CRIMPS PER END						
	ACSR		ALUMINUM	COPPER	METRIC	COLOR CODE	ACSR		ALUMINUM	COPPER		METRIC	COLOR CODE	MD6	OH25	OUR840	Y750	Y35					
	SIZE	STR.					SIZE	STR.															
ES25R25R	1/0 (.398 DIA.) [10mm DIA.] #1 (.355 DIA.) [9mm DIA.]	6-1 6-1	1/0 STR. (.368 DIA.) [9mm DIA.] 1/0 STR. (.373 DIA.) [9mm DIA.]	1-19 STR. (.332 DIA.) [8mm DIA.] 1/0 STR. (.372 DIA.) [9mm DIA.]	50mm ²	YELLOW	1/0 (.398 DIA.) [10mm DIA.] #1 (.355 DIA.) [9mm DIA.]	6-1 6-1	1/0 STR. (.368 DIA.) [9mm DIA.] 1/0 STR. (.373 DIA.) [9mm DIA.]	1-19 STR. (.332 DIA.) [8mm DIA.] 1/0 STR. (.372 DIA.) [9mm DIA.]	50mm ²	YELLOW	BG OR 5/8	3	3	---	---	X-NBG	---	U-BG	---	U-BG	---
ES25A25A	---	---	---	---	---		#10 STR. (.373 DIA.) [9mm DIA.] 1/0 COMPR (.362 DIA.) [9mm DIA.] 1/0 COMPACT (.336 DIA.) [9mm DIA.]	---	#10 STR. (.373 DIA.) [9mm DIA.] 1/0 COMPR (.362 DIA.) [9mm DIA.] 1/0 COMPACT (.336 DIA.) [9mm DIA.]	---	---	YELLOW	BG OR 5/8	3	3	---	---	X-NBG	---	U-BG	---	U-BG	---
ES25A4W	---	---	#10 STR. (.373 DIA.) [9mm DIA.] 1/0 COMPR (.362 DIA.) [9mm DIA.] 1/0 COMPACT (.336 DIA.) [9mm DIA.]	#10 STR. (.373 DIA.) [9mm DIA.] 1/0 COMPR (.362 DIA.) [9mm DIA.] 1/0 COMPACT (.336 DIA.) [9mm DIA.]	---		#6 (.198 DIA.) [5mm DIA.]	6-1	#5 STR. (.206 DIA.) [5mm DIA.] #6 STR. (.184 DIA.) [5mm DIA.] #4 SOL. (.204 DIA.) [5mm DIA.]	#5 STR. (.206 DIA.) [5mm DIA.] #6 STR. (.184 DIA.) [5mm DIA.] #4 SOL. (.204 DIA.) [5mm DIA.]	---	BLUE	BG OR 5/8	3	3	---	---	X-NBG	---	U-BG	---	U-BG	---
ES25A2W	---	---	---	---	---		#4 (.250 DIA.) [6mm DIA.] #4 (.257 DIA.) [7mm DIA.]	6-1 7-1	#3 STR. (.260 DIA.) [7mm DIA.] #4 STR. (.232 DIA.) [6mm DIA.] #2 SOL (.258 DIA.) [7mm DIA.]	#3 STR. (.260 DIA.) [7mm DIA.] #4 STR. (.232 DIA.) [6mm DIA.] #2 SOL (.258 DIA.) [7mm DIA.]	---	ORANGE	BG OR 5/8	3	3	---	---	X-NBG	---	U-BG	---	U-BG	---

NOTES:

1. BARREL IS PARTIALLY FILLED WITH PENETROX™ AND SEALED.

2. TWO CRIMPS MADE SIMULTANEOUSLY.

3. MULTIPLE CRIMP DIE SET.

4. MATERIAL: CONNECTOR - ALUMINUM

5. DIMENSIONS IN BRACKETS [ARE IN MILLIMETERS ROUNDED OFF TO THE NEAREST MILLIMETER, UNLESS OTHERWISE NOTED, AND ARE FOR REFERENCE ONLY.

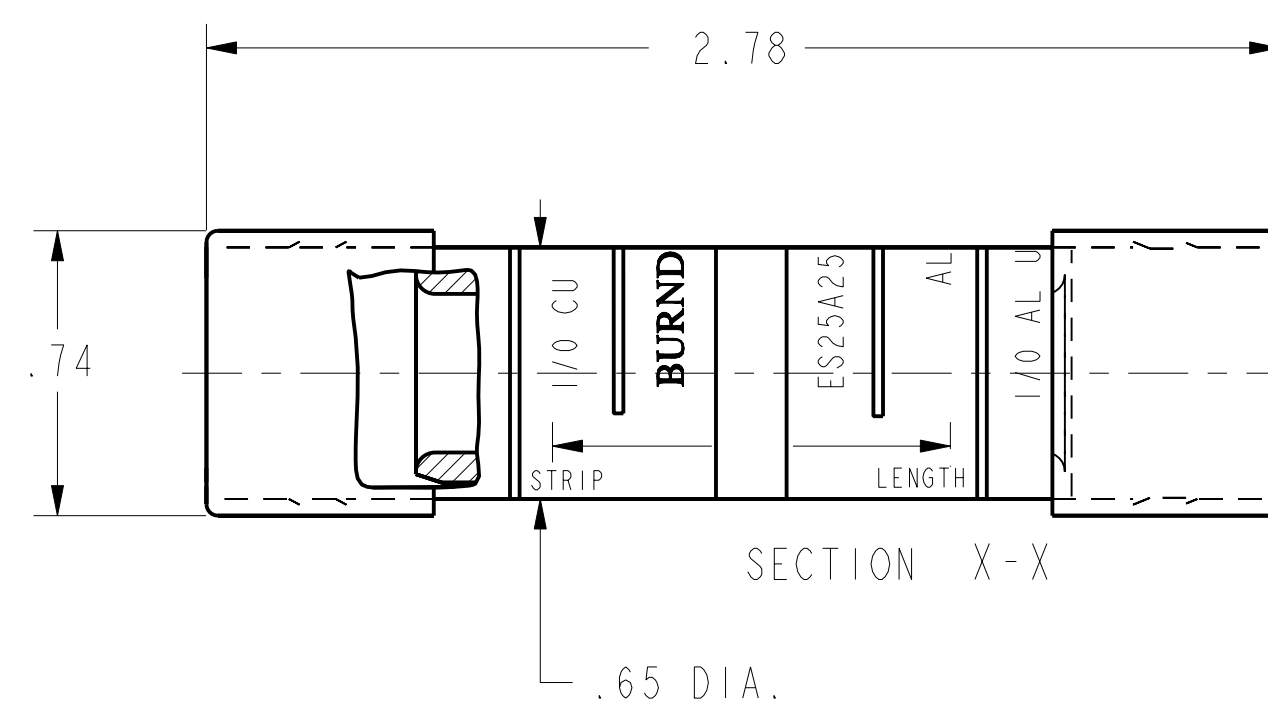
6. INSTALLATION INSTRUCTIONS:

1. STRIP CABLE INSULATION 7/8" (STRIP LENGTH INDICATED ON INSULINK™). FOR BEST RESULTS, REMOVE COTTON BRAID FOR AN ADDITIONAL 3/4" ON WEATHERPROOF AND SE TYPE CONDUCTORS

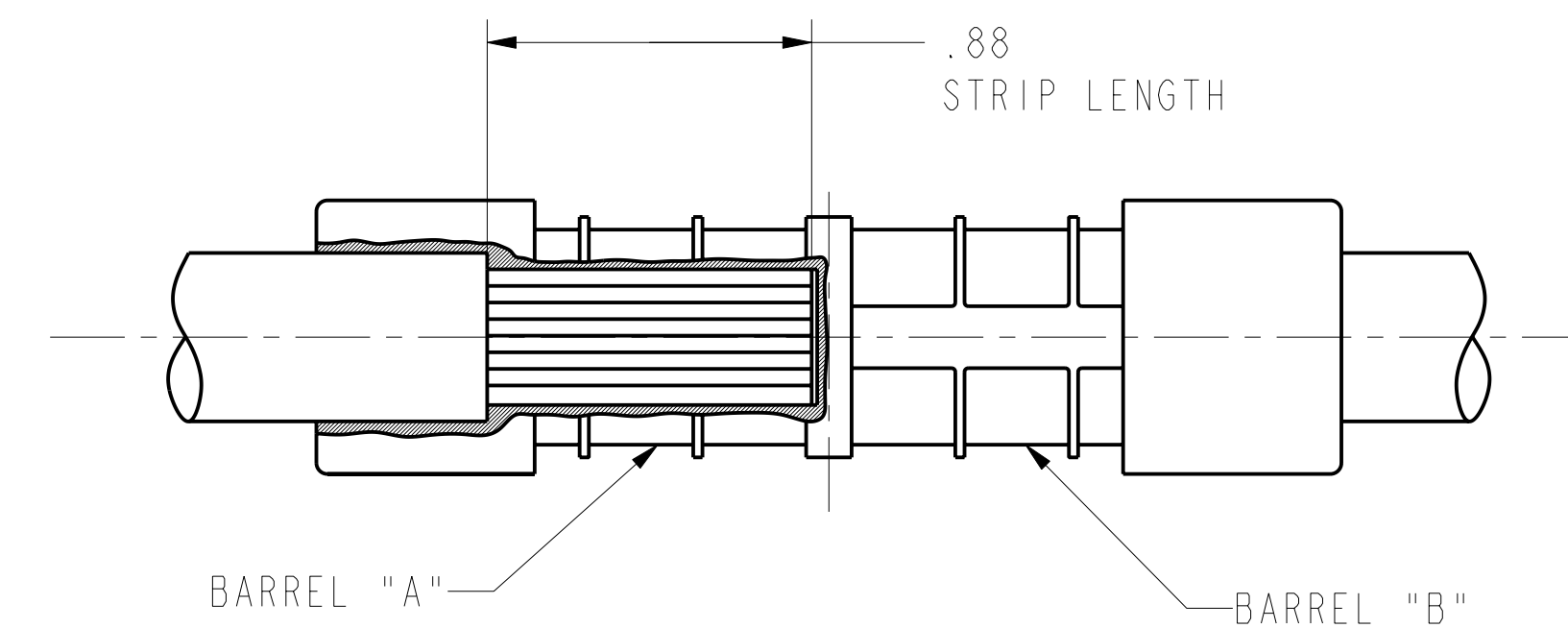
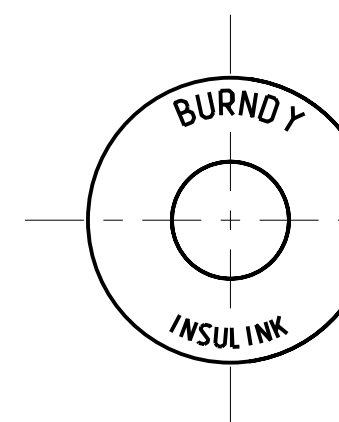
2. SCRATCH BRUSHING OF ALUMINUM CONDUCTORS, BEFORE MAKING INSTALLATIONS, IS RECOMMENDED.

3. INSERT CONDUCTOR THROUGH CENTER OF CAP AND THEN PUSH CONDUCTOR SO THAT STRIPPED END SEATS IN CONNECTOR AND INSULATION ENTERS CAP.

4. USING PROPER TOOL, CRIMP BETWEEN GUIDE LINES. MAKE INNERMOST CRIMP FRIST AND CRIMP TOWARD END. REPEAT FOR OTHER-SIDE.



VIEW BEFORE INSTALLATION



VIEW AFTER INSTALLATION

TO ORDER BURNDY® PRODUCTS CALL		INSULINK™ WITH METRIC REF	
UNITED STATES 1-800-346-4175 (LONDONDERRY, NH)		ITEM NO: N/A	CAT. NO: ES (TABLE)
CANADA: 1-800-361-6975 (QUEBEC) 1-800-387-6487 (ALL OTHER PROVINCES)		DRAWN BY: M MOHAN 08/17/20	CHECKER: NJ SUDHAKAR 08/17/20
FOR PRODUCT INFO: http://www.burndy.com		DSN APPVL: D DOBRINSKI 08/15/20	MFG APPVL: --
		QA APPVL: T WATTS 08/14/20	MKT APPVL: J HALL 08/14/20
		PROD FAM: --	SCALE: 3:1
		PROJECT #: --	SIZE: D
		DOCUMENT TYPE: Sales	DRAWING NO: 50115706
		REL LEVEL: Released	SHEET 2 OF 2

