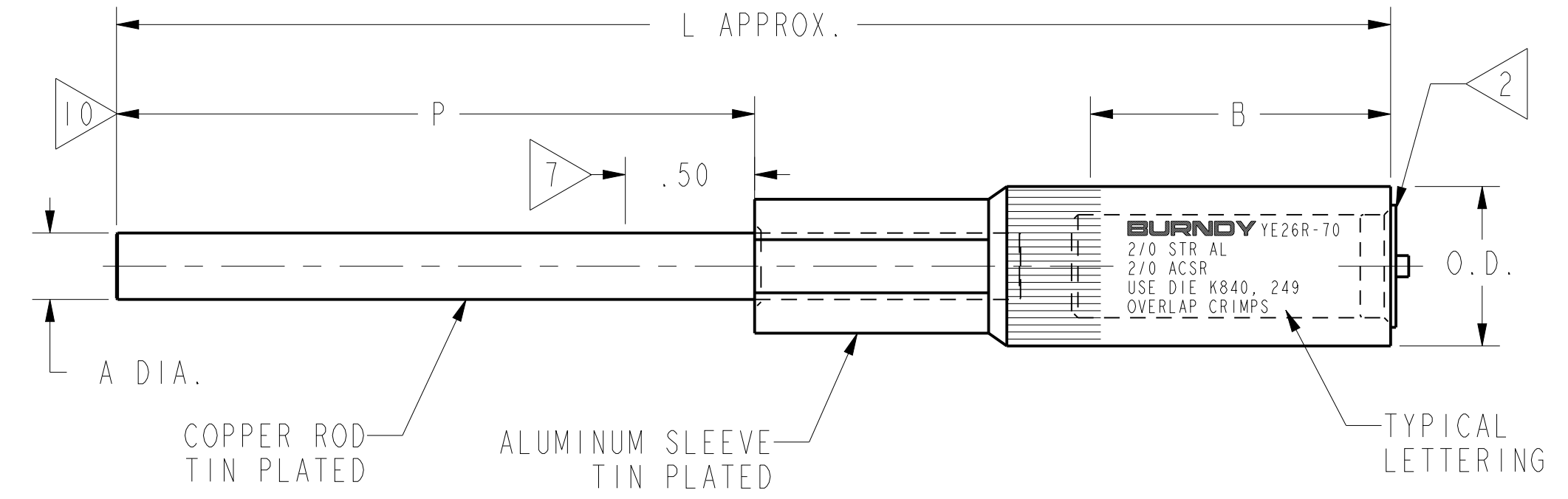


| CATALOG NUMBER | ACCOMMODATES. | | | | METRIC WIRE (mm ²) | A DIA. | B | L APPROX. | O.D. | P | TOOL INDEX NUMBER | INSTALLATION DATA | | | | | CAPLUG COLOR CODE | | | | | |
|----------------|---|-------------|--------------|------------|--------------------------------|--------|------|-----------|-------|-------|--------------------------|---|-------------------------------------|----------------------------|--------------|-------|-------------------|--|--|--|------|--|
| | ALUMINUM | | A.C.S.R. | | | | | | | | | HYTOOL & HYPRESS DIE SET OVERLAP CRIMPS | | | | | | | | | | |
| | AWG.kcmil | STR | AWG.kcmil | STR | | | | | | | | MD6 | Y35, Y750, BAT35 BAT750 & PAT750 | Y35/Y46 | Y48BH | Y60BH | | | | | | |
| YE6R25 | #6 (.184) | 7 | #6 (.198) | 6-1 | -- | .204 | .91 | 4.62 | .65 | 2.50 | BG 5/8-1 243 8A | FIXED W-BG W243 | U-BG UK5/8-IT U243 | U-BG UK5/8-IT U243 | --- | L243 | BLUE | | | | | |
| YE6R40 | #4 (.204) | 7 | | | | | | 6.12 | | 4.00 | | | | | | | | | | | C243 | |
| YE4R25 | #4 (.232) | 7 | | | | | | 4.62 | | 2.50 | | | | | | | | | | | --- | |
| YE4R30 | #2 (.258) | 1 | #4 (.250) | 6-1 | 25 | | | 5.12 | | 3.00 | | | | | | | | | | | --- | |
| YE4R40 | #2 (.258) | 1 | #4 (.257) | 7-1 | | | | 6.12 | | 4.00 | | | | | | | | | | | C243 | |
| YE4R60 | #3 (.260) | 7 | | | | | | 8.12 | | 6.00 | | | | | | | | | | | --- | |
| YE2R25 | #1 (.328) | 7 | #2 (.316) | 6-1 | | | | 4.62 | | 2.50 | | | | | | | | | | | --- | |
| YE2R40 | #2 (.292) | 7 | #2 (.325) | 7-1 | | | | 6.12 | | 4.00 | | | | | | | | | | | C243 | |
| YE2R70 | #2 (.292) | 7 | | | 35 | | | 9.12 | | 7.00 | | | | | | | | | | | --- | |
| YE2R120 | #2 (.292) | 7 | #2 (.325) | 7-1 | | | | 14.12 | | 12.00 | | | | | | | | | | | C243 | |
| YE2RG6 | #1 SOL (.289) #2 (.292) #1 (.325) | 7 7 7 | #2 (.325) | 6-1 7-1 | | | 1.88 | 9.50 | .91 | 5.50 | 840 249 11A | --- | UK840T U249 | UK840T U249 | C249 | --- | RED | | | | | |
| YE25R25 | | | | | | | | 4.62 | | 2.50 | BG 5/8-1 243 8A | FIXED W-BG W243 | U-BG UK5/8-IT U243 | U-BG UK5/8-IT U243 | --- | L243 | YELLOW | | | | | |
| YE25R325 | | | | | | | | 5.38 | | 3.25 | | | | | | | | | | | --- | |
| YE25R40 | 1/0 (.368) | 7 | 1/0 (.398) | 6-1 | -- | | | 6.12 | .65 | 4.00 | | | | | | | | | | | C243 | |
| YE25R70 | | | | | | | | 9.12 | | 7.00 | | | | | | | | | | | --- | |
| YE25R120 | | | | | | | | 14.12 | | 12.00 | | | | | | | | | | | --- | |
| YE26R25 | | | | | | | | 6.00 | .91 | 2.50 | 840 249 11A | W-K840 W249 | U-K840 U249 | U-K840 U249 | C249 | L249 | GRAY | | | | | |
| YE26R40 | 2/0 (.414) | 7 | 2/0 (.447) | 6-1 | -- | .324 | 1.54 | 7.50 | | 4.00 | | | | | | | | | | | --- | |
| YE26R60 | 2/0 (.419) | 19 | | | | | | 9.50 | | 6.00 | | | | | | | | | | | --- | |
| YE26R70 | | | | | | | | 10.50 | | 7.00 | | | | | | | | | | | --- | |
| YE27R40 | | | | | | | | 7.50 | | 4.00 | | | | | | | | | | | C249 | |
| YE27R55 | 3/0 (.464) | 7 | 3/0 (.502) | 6-1 | -- | | | 9.00 | | 5.50 | | | | | | | | | | | --- | |
| YE27R60 | 3/0 (.470) | 19 | | | | | | 9.50 | | 6.00 | | | | | | | | | | | --- | |
| YE27R70 | | | | | | | | 10.50 | | 7.00 | | | | | | | | | | | --- | |
| YE28R60 | | | | | | | | 9.50 | | 6.00 | | | | | | | | | | | --- | |
| YE28R30 | | | | | | | | 6.50 | | 3.00 | | | | | | | | | | | --- | |
| YE28R70 | 4/0 (.522) | 7 | 4/0 (.563) | 6-1 | -- | .375 | 1.54 | 10.50 | | 7.00 | | | | | C249 | | | | | | | |
| YE28R100 | 4/0 (.528) | 19 | | | | | | 15.50 | | 12.00 | | | | | --- | | | | | | | |
| YE28R120 | | | | | | | | 15.50 | .91 | 12.00 | | | | | --- | | | | | | | |
| YE30R40 | | | | | | | | 8.37 | 1.25 | 4.00 | 317 705 1-1/8 | --- | U317 U705 UK1-1/8-IT | U317 U705 UK1-1/8-IT | C317 C705 | L317 | BLUE | | | | | |
| YE30R55 | 266.8 (.586) | 7 | 266.8 (.642) | 26-7 | -- | .460 | 2.15 | 10.16 | | 5.50 | | | | | | | | | | | --- | |
| YE30R60 | 336.4 (.666) | 19 | 266.8 (.608) | 18-1 | | | | 10.66 | | 6.00 | | | | | | | | | | | --- | |
| YE32R40 | 350 (.679) | 19 | | | | | | 8.50 | | 4.00 | | | | | | | | | | | --- | |
| YE32R70 | 350 (.681) | 37 | 336.4 (.681) | 26-7 | 185 | | | 11.66 | | 7.00 | | | | | | | | | | | --- | |
| YE32R100 | 397.5 (.724) | 19 | 336.4 (.721) | 18-1 | | | | 14.66 | | 10.00 | | | | | | | | | | | --- | |
| YE36R70 | 477 (.793) | 19 | 397.5 (.783) | 26-7 | | | | 11.66 | | 7.00 | | | | | | | | | | | --- | |
| | 477 (.795) | 37 | | 30-7 | | | | | | | | | | | | | | | | | --- | |
| | 500 (.811) | 19 | 397.5 (.806) | 18-1 | | | | | | | | | | | | | | | | | --- | |
| | 500 (.813) | 37 | 477 (.814) | 18-1 | 240 | | | | | | | | | | | | | | | | --- | |
| YE36R120 | 500 (.815) | 61 | | | | | | | | | | | | | --- | | | | | | | |
| YE36R1R120 | 500 (.813) | 37 | 477 (.814) | 18-1 | | | | 2.15 | 16.66 | 12.00 | | | | | --- | | | | | | | |
| YE36R1R60 | 500 (.815) | 61 | | | | | | 2.10 | 10.62 | 6.00 | | | | | --- | | | | | | | |
| YE36R60 | 477,500 | -- | 477 (.814) | 18-1 | | | | | | | | | | | --- | | | | | | | |



NOTES:

- MATERIAL: AS NOTED.
- CONNECTOR SUPPLIED PRE FILLED WITH PENETROX™ & SEALED. PENETROX™ IS COMPATIBLE WITH CABLE INSULATION.
- CATALOG # PT6515 ADAPTOR IS REQUIRED TO USE "U" DIES IN Y45 SERIES TOOLS.
- CATALOG # PUADP-1 ADAPTOR IS REQUIRED TO USE "U" DIES IN Y46 SERIES TOOLS.
- MULTIPLE CRIMP DIE SET MAKES MORE THAN ONE CRIMP PER TOOL COMPRESSION.
- SPACE CRIMPS.
- PLUG MAY BE BENT FOR INSTALLATION CONVENIENCE. IT IS RECOMMENDED THAT BENDING TAKE PLACE BEYOND THIS POINT.
- STANDARD O.D. HYPLUGS™ ONLY. (ALL DESIGNS)
- PLUGS COLOR CODED TO CONDUCTOR SIZE.
- SUFFIX NO. FOLLOWING LETTER "R" IN THE CATALOG NUMBER INDICATES THE EXPOSED LENGTH OF COPPER ROD EXTENDING FROM THE ALUMINUM BARREL. EG: YE25R60 INDICATES "P" = 6.00".

| | | | |
|---|--|---------------------------------|-------------------------------|
| TO ORDER BURNDY® PRODUCTS CALL | | HYPLUG™ CONNECTOR-ALUMINUM | |
| UNITED STATES 1-800-346-4175 (LONDONDERRY, NH) | | ITEM NO: N/A | CAT. NO: YE-R (TABLE) |
| CANADA: 1-800-361-6975 (QUEBEC) 1-800-387-6487 (ALL OTHER PROVINCES) | | DRAWN BY: M MOHAN 08/17/20 | CHECKER: NJ SUDHAKAR 08/17/20 |
| FOR PRODUCT INFO: http://www.burndy.com | | DSN APPVL: D DOBRINSKI 08/15/20 | MFG APPVL: -- |
| | | GA APPVL: T WATTS 08/14/20 | MKT APPVL: J HALL 08/14/20 |
| | | PROD FAM: -- | SCALE: 2:1 |
| | | PROJECT #: -- | SIZE: D |
| | | DOCUMENT TYPE: Sales | DRAWING NO: 50115710 |
| | | REL LEVEL: Released | SHEET 1 OF 1 |

REV: PEO200