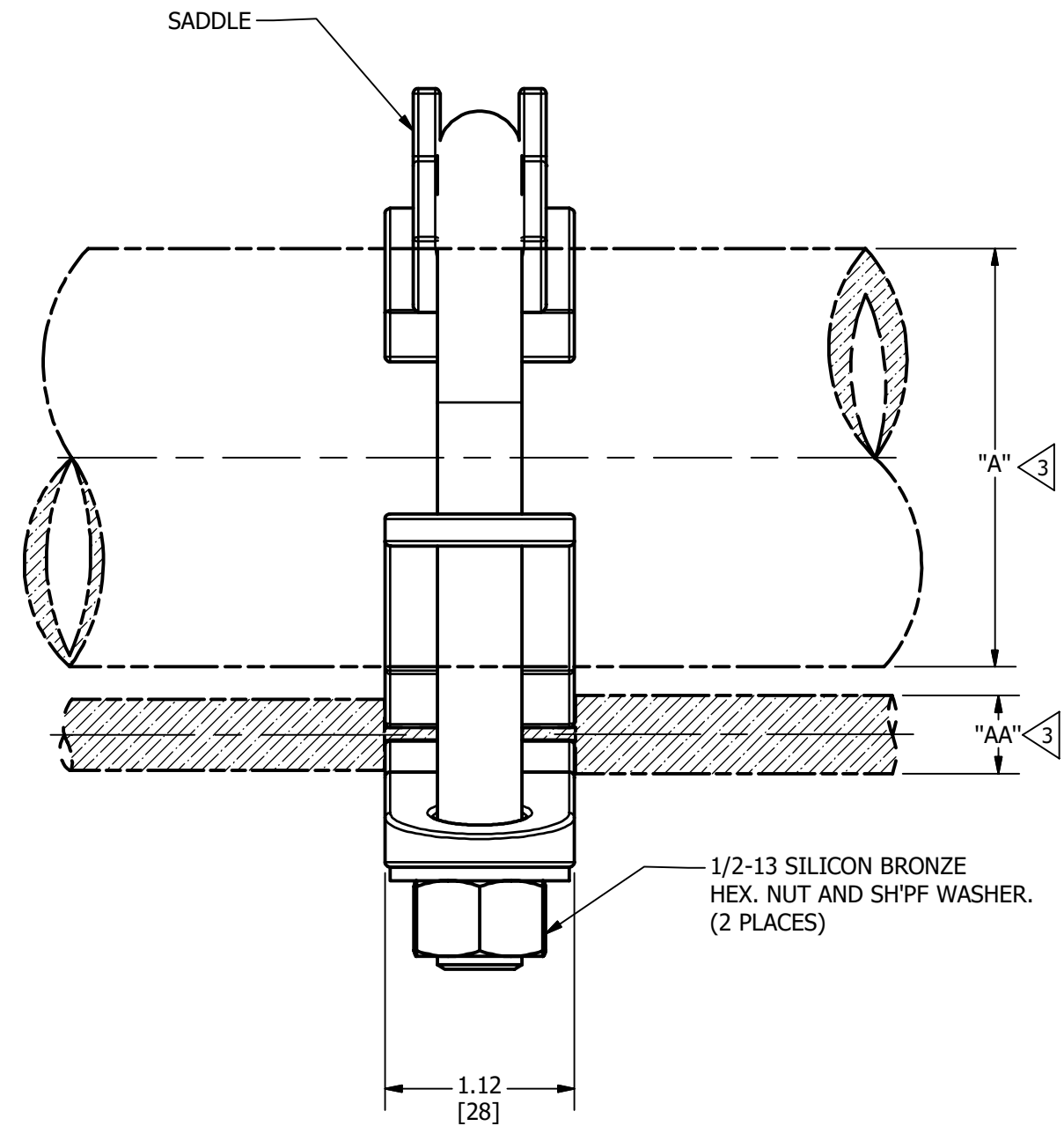
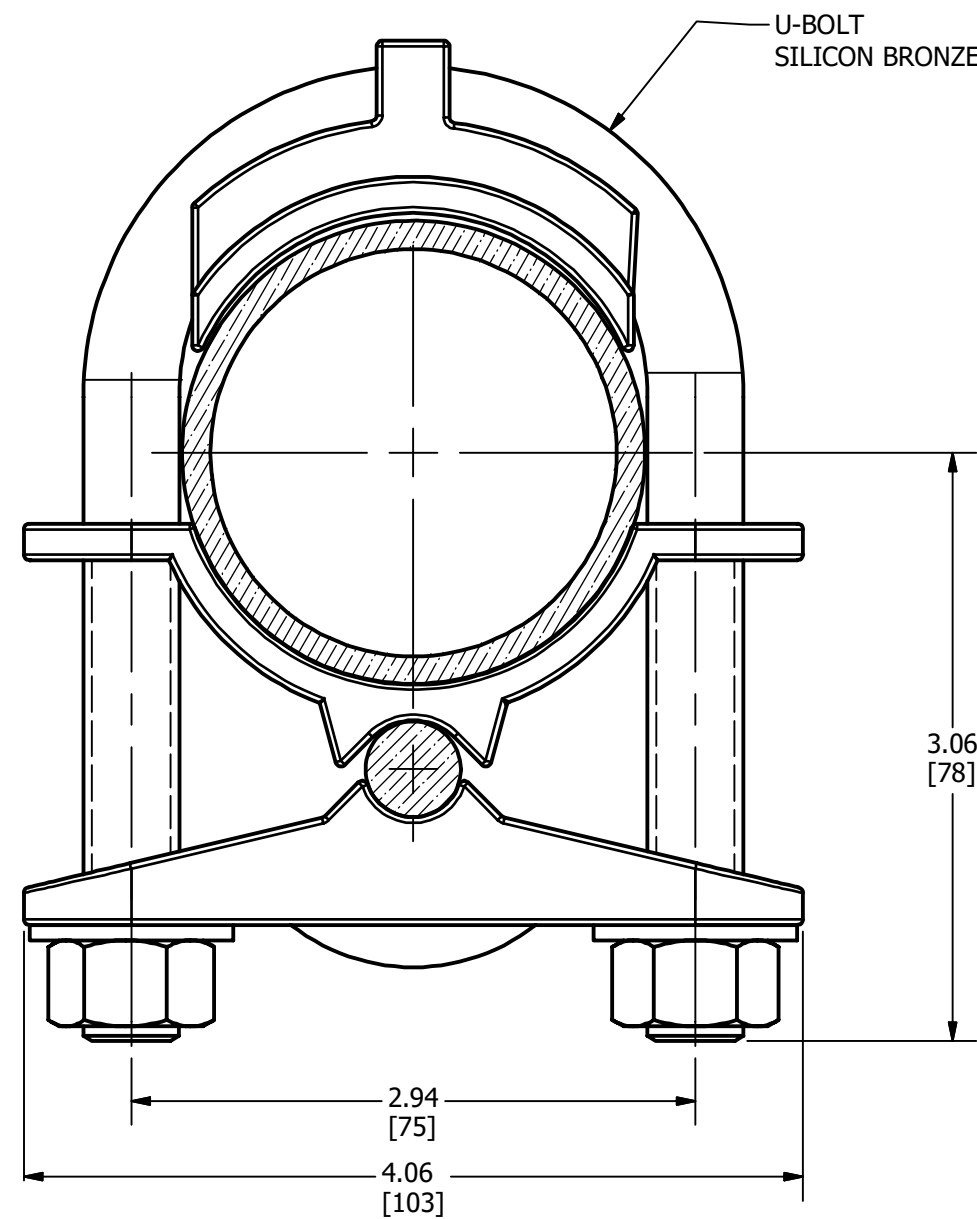


REV	DATE	DESCRIPTION	ECO	BY	CHK.
A	08/26/2020	NEW DRAWING CREATION	54155	SS	PB



NOTES:

1. BODY: CAST COPPER ALLOY.
HARDWARES: SILICON BRONZE

2. FINISH: ELECTRO-TIN PLATED.

3 ACCOMMODATES:

"A" - 2" I.P.S. (2.375)

"AA" - 4/0 (.528) TO 2/0 (.418) CU.CABLE.

4. NOMINAL INSTALLATION TORQUE: 1/2-13 SILICON BRONZE - 480 [55] Lb-in [Nm].

5. DIMENSIONS IN BRACKETS [] ARE IN MILLIMETERS ROUNDED OFF TO THE NEAREST MILLIMETER, UNLESS OTHERWISE SPECIFIED AND ARE FOR REFERENCE ONLY.

TO ORDER BURNDY® PRODUCTS CALL		GROUND CONNECTOR	
UNITED STATES		ITEM NO: 27001999	
1-800-346-4175 (LONDONDERRY, NH)		CAT. NO: GAR1828CG3	
CANADA:		DRAWN BY: M.SAURABH 8/26/2020	
1-800-361-6975 (QUEBEC)		CHECKER: B.PARTHIBAN 8/26/2020	
1-800-387-6487 (ALL OTHER PROVINCES)		DSN APRVL: K.CASTONGUAY 8/27/2020	
FOR PRODUCT INFO: http://www.burndy.com		MFG APRVL: --	
		QA APRVL: J.BRODEUR 9/17/2020	
		MKT APRVL: S.PARSONS 9/2/2020	
		PROD FAM: --	
		DRAWING NO	
		50115822	
		REV	
		A	
		SHEET 1 OF 1	