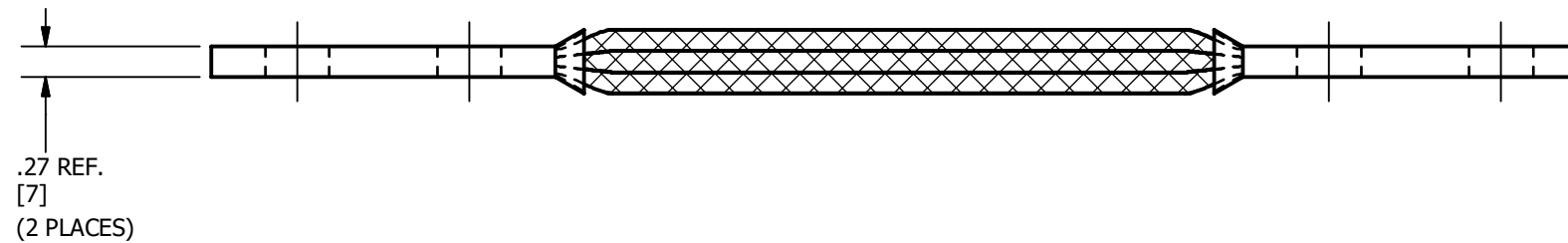
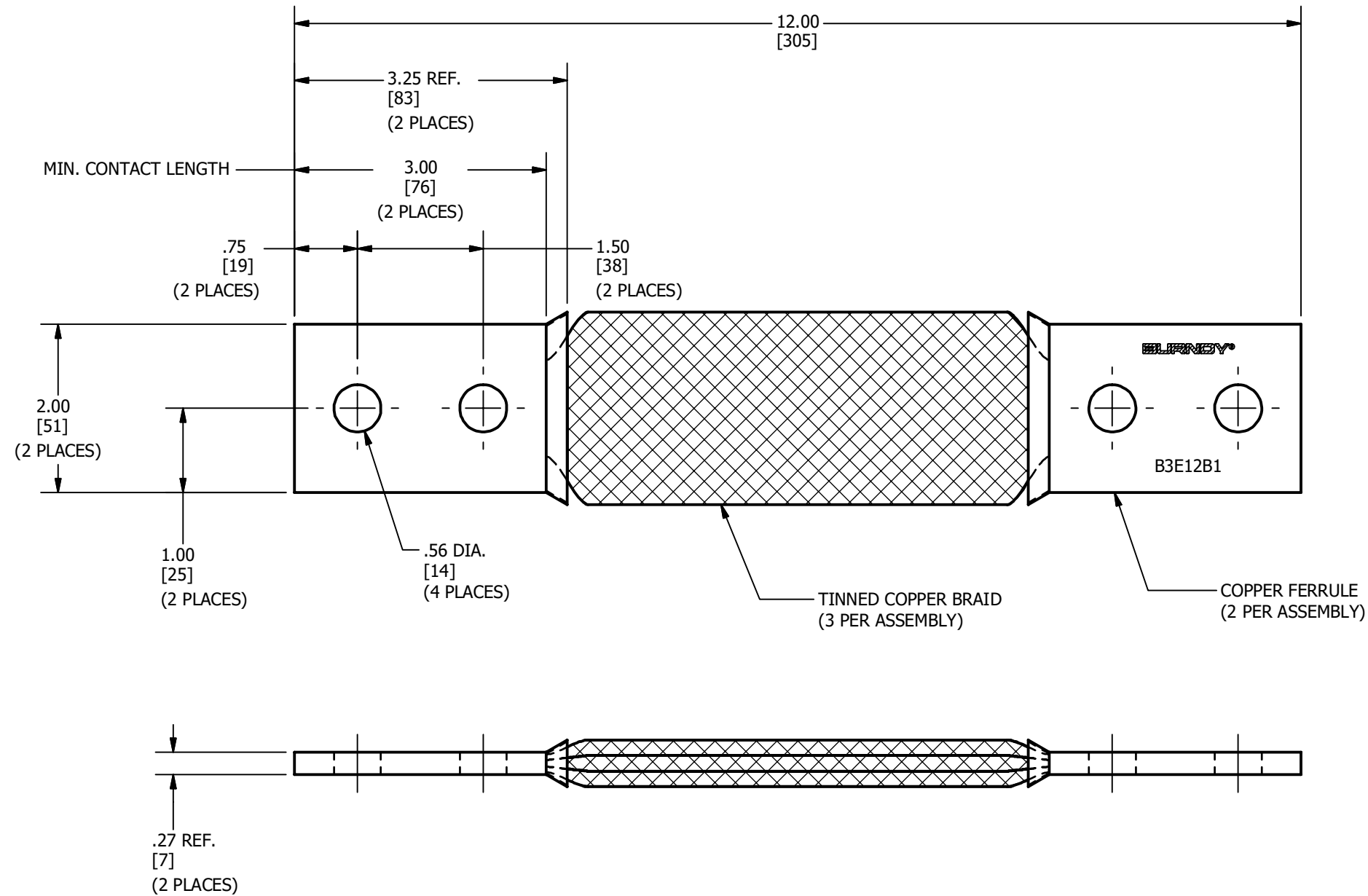


REV	DATE	DESCRIPTION	ECO	BY	CHK.
A	11/2/2020	NEW DRAWING CREATED	54449	SS	PB



NOTES:

- MATERIAL:
FERRULE : COPPER
BRAID : TIN PLATED COPPER
- DIMENSIONS IN BRACKETS [] ARE IN MILLIMETERS ROUNDED OFF TO THE NEAREST MILLIMETER, UNLESS OTHERWISE NOTED, AND ARE FOR REFERENCE ONLY.

TO ORDER BURNDY® PRODUCTS CALL
 UNITED STATES
 1-800-346-4175 (LONDONDERRY, NH)
 CANADA:
 1-800-361-6975 (QUEBEC)
 1-800-387-6487 (ALL OTHER PROVINCES)
 FOR PRODUCT INFO: <http://www.burndy.com>

BRAID		ITEM NO:	REV
		002580	
		CAT. NO: B3E12B1	
DRAWN BY:	M.SAURABH	11/2/2020	
CHECKER:	S.CARBONNEAU	11/10/2020	
DSN APRVL:	S.CARBONNEAU	11/10/2020	
MFG APRVL:	--		
QA APRVL:	G.REDFIELD	11/7/2020	
MKT APRVL:	K.ROBICHEAU	11/11/2020	
PROD FAM:	MECHANICAL GROUNDING	DRAWING NO	REV
PROJECT #:	--	50115868	A
DOCUMENT TYPE:	SALES	B	
REL LEVEL:	Released		

