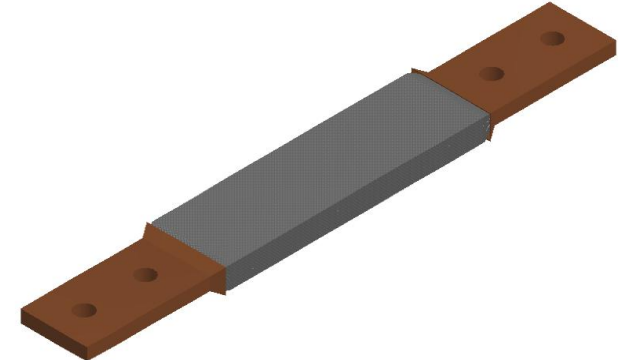
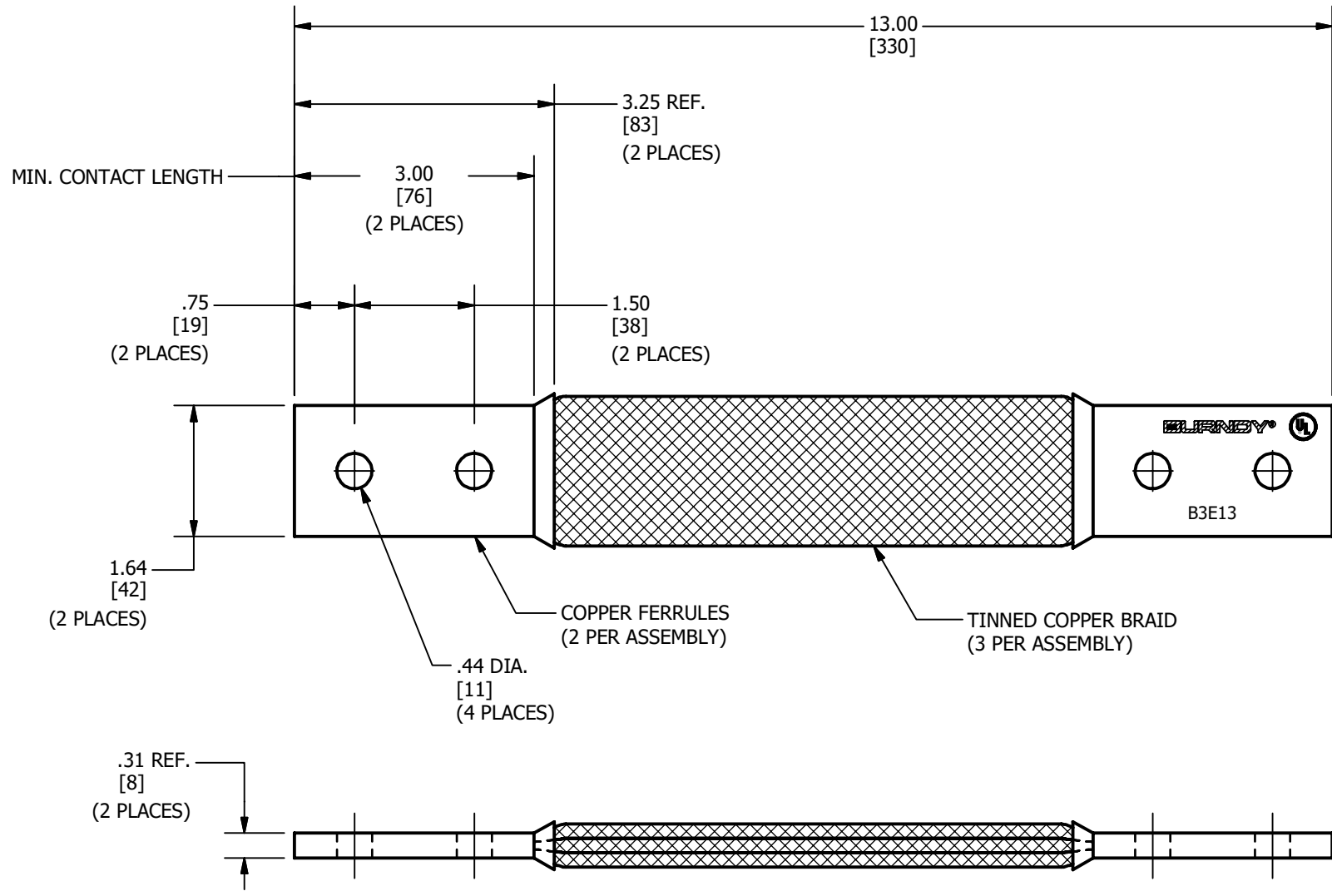


REV	DATE	DESCRIPTION	ECO	BY	C'H.K.
A	11/09/2020	NEW SALES DRAWING CREATED	54502	YR	PB



**NOTES:**

1. MATERIAL: FERRULES - COPPER  
BRAID - TINNED COPPER
2. DIMENSIONS IN BRACKETS [ ] ARE IN MILLIMETERS ROUNDED OFF TO THE NEAREST MILLIMETER, UNLESS OTHERWISE SPECIFIED AND ARE FOR REFERENCE ONLY.
3. BRAID ARE LISTED TO UL 467 GROUNDING & BONDING EQUIPMENT STANDARDS.

TO ORDER BURNDY® PRODUCTS CALL		BRAID, FLEXIBLE	
UNITED STATES		ITEM NO: 332079	
1-800-346-4175 (LONDONDERRY, NH)		CAT. NO: B3E13	
CANADA:		DRAWN BY: R.YOGARA 11/09/2020	
1-800-387-6487		CHECKER: S.CARBONNEAU 12/30/2020	
FOR PRODUCT INFO: <a href="http://www.burndy.com">http://www.burndy.com</a>		DSN APRVL: S.CARBONNEAU 12/30/2020	
		MFG APRVL: --	
		QA APRVL: G.REDFIELD 12/09/2020	
		MKT APRVL: K.ROBICHEAU 12/08/2020	
		PROD FAM: --	
		DRAWING NO	
		5011582	
		REV	
		A	
		SHEET 1 OF 1	