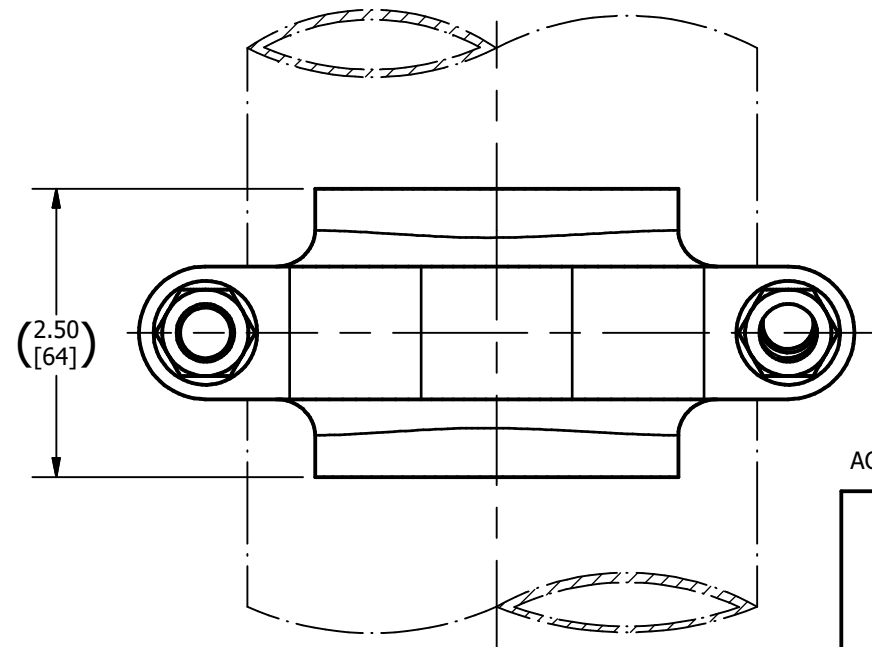
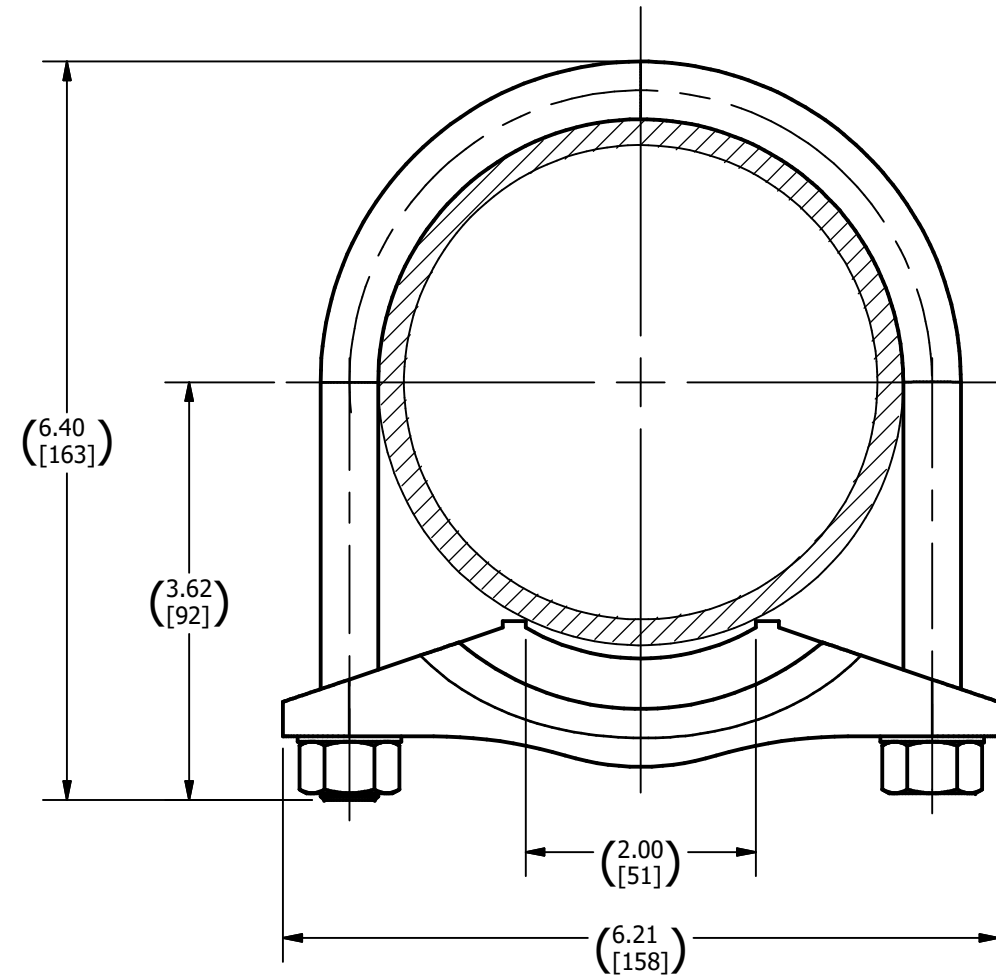


REV	DATE	DESCRIPTION	ECO	BY	CHK.
A	10/16/2020	CREATE SALES DRAWING FOR CAT # GG222	54373	KV	NJS



NOTES:

1. MATERIAL : CAST COPPER ALLOY,DURIUM #6 (U-BOLT,HEX NUTS & INTERNAL TOOTH LOCK WASHER.)
2. DIMENSIONS IN BRACKETS [] ARE IN MILLIMETERS ROUNDED OFF TO THE NEAREST MILLIMETER, UNLESS OTHERWISE SPECIFIED AND ARE FOR REFERENCE ONLY.
3. TORQUE : 480 LB IN [54.1 N-M].

ACCOMMODATES: 4" I.P.S. (Ø4.500) [110mm].

TO ORDER BURNDY® PRODUCTS CALL		GROUND CLAMP	
UNITED STATES		ITEM NO: 264326	
1-800-346-4175 (LONDONDERRY, NH)		CAT. NO:GG222	
CANADA:		DRAWN BY: V KUMAR 10/16/2020	
1-800-361-6975 (QUEBEC)		CHECKER: NJ SUDHAKAR 10/16/2020	
1-800-387-6487 (ALL OTHER PROVINCES)		DSN APRVL: C BECERRIL 11/5/2020	
FOR PRODUCT INFO: http://www.burndy.com		MFG APRVL: --	
		QA APRVL: E VARGAS 10/23/2020	
		MKT APRVL: --	
		PROD FAM: --	
		DRAWING NO	
		50116761	
		REV	
		A	
		SHEET 1 OF 1	