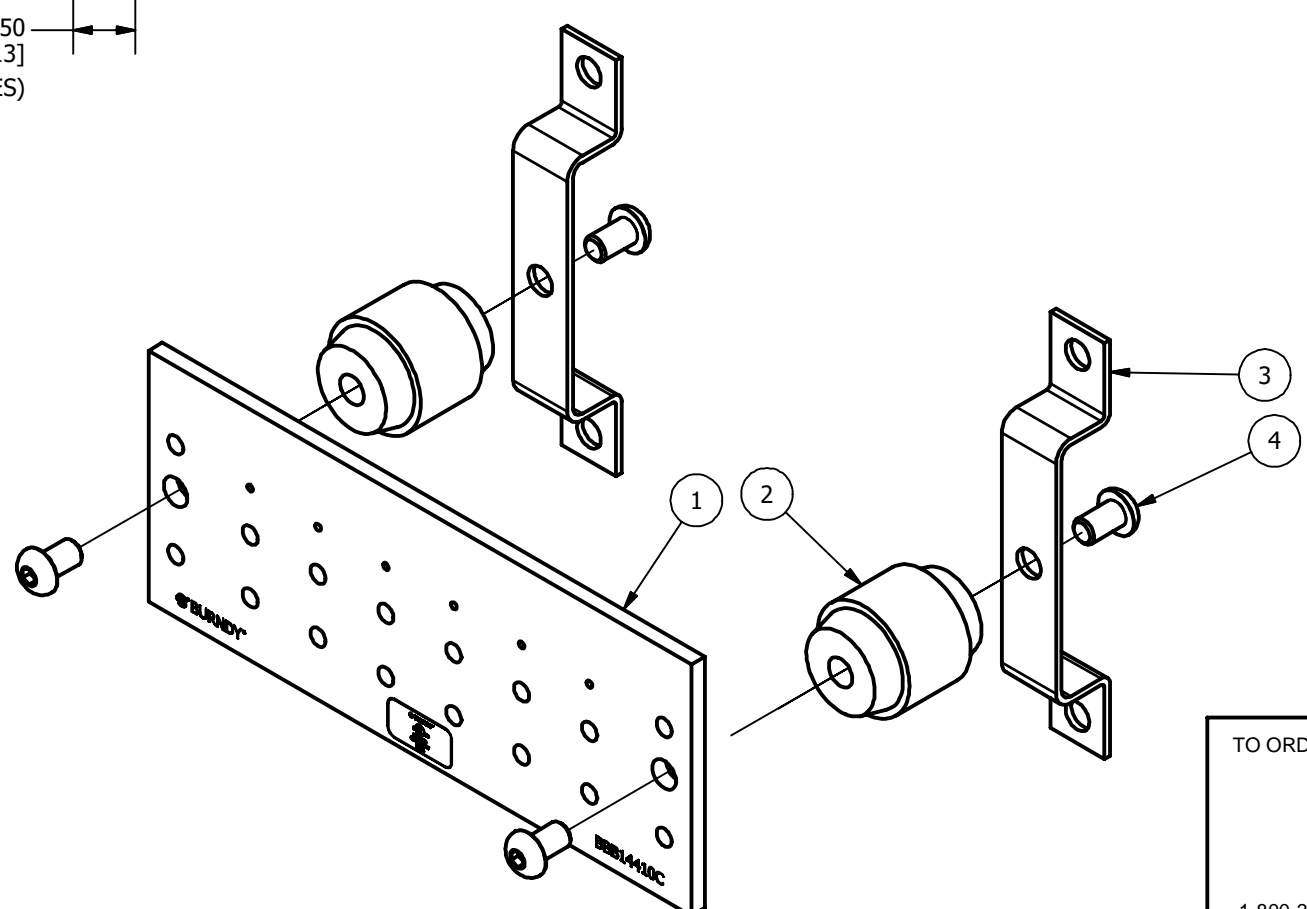
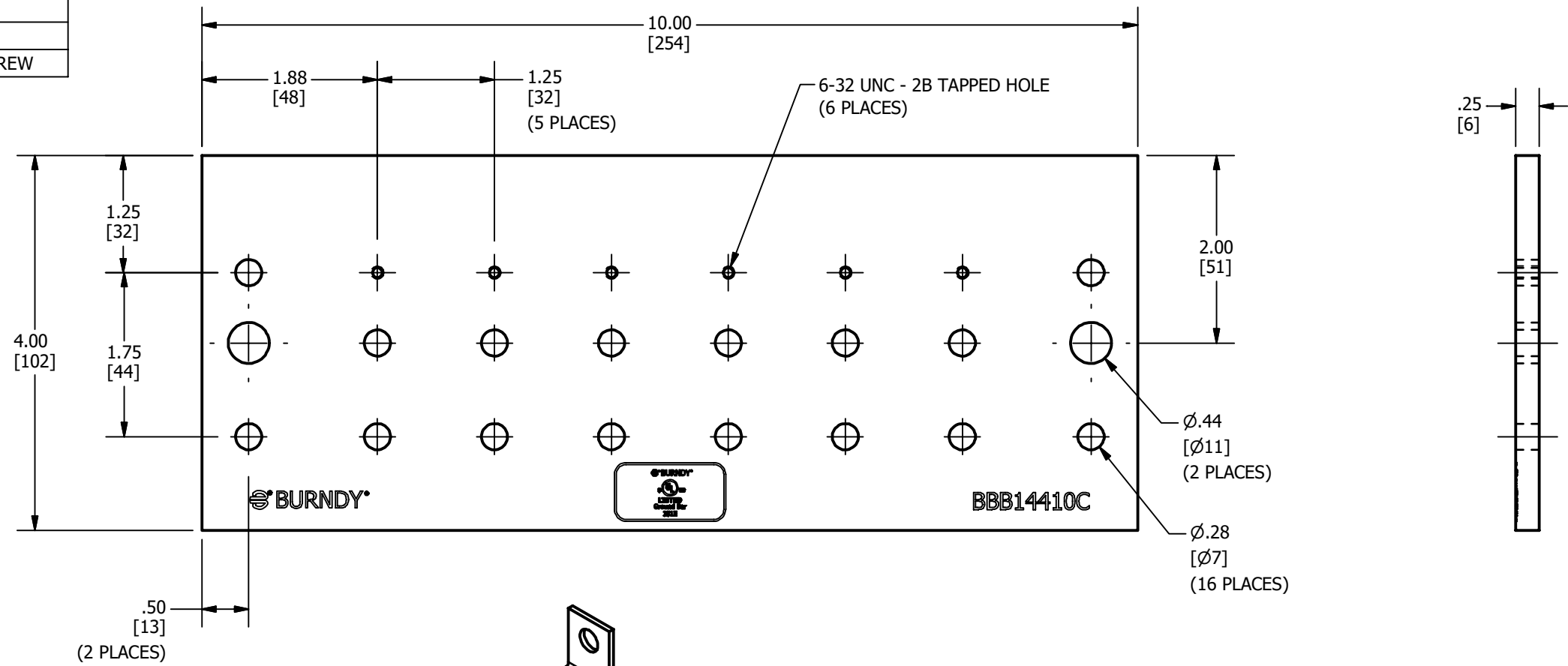


*** BILL OF MATERIAL ***		
PT NO.	QTY	DESCRIPTION
1	1	COPPER GROUND BAR
2	2	RED RND INSULATOR
3	2	S.S. MOUNTING BRACKET
4	4	S.S. BUTTON-HEAD SOCKET CAP SCREW

REV	DATE	DESCRIPTION	ECO	BY	C'H'K.
A	11/12/2020	NEW DRAWING CREATED	54526	PB	RG



NOTES:

1. DIMENSIONS IN BRACKETS [] ARE IN MILLIMETERS ROUNDED OFF TO THE NEAREST MILLIMETER, UNLESS OTHERWISE SPECIFIED AND ARE FOR REFERENCE ONLY.

TO ORDER thermOweld® PRODUCTS CALL
 UNITED STATES
 1-800-558-1373
 CANADA:
 1-800-361-6975 (QUEBEC)
 1-800-387-6487 (ALL OTHER PROVINCES)
 FOR PRODUCT INFO: <http://www.burndy.com>

COPPER GROUND BAR KIT	
ITEM NO: BBB14410C	
CAT. NO: BBB14410C	
DRAWN BY: B.PARTHIBAN	11/12/2020
CHECKER: B.ELLIOTT	11/14/2020
DSN APRVL: B.ELLIOTT	11/14/2020
MFG APRVL: P.MARTEL	11/14/2020
QA APRVL: G.REDFIELD	12/01/2020
MKT APRVL: --	
PROD FAM: --	
PROJECT #: --	
DOCUMENT TYPE: SALES	
REL LEVEL: Released	
DRAWING NO	REV
50117888	A
SIZE	
B	
SHEET 1 OF 1	

