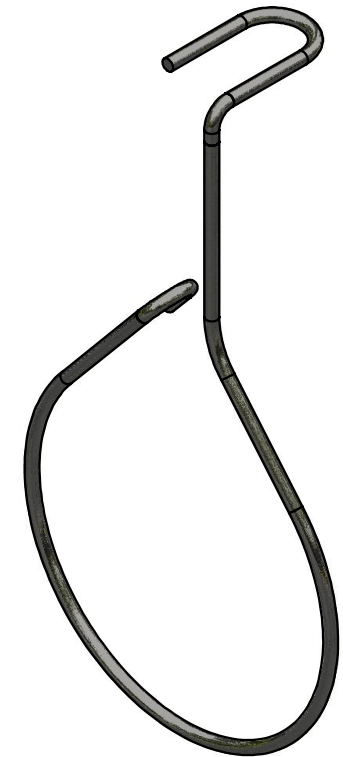
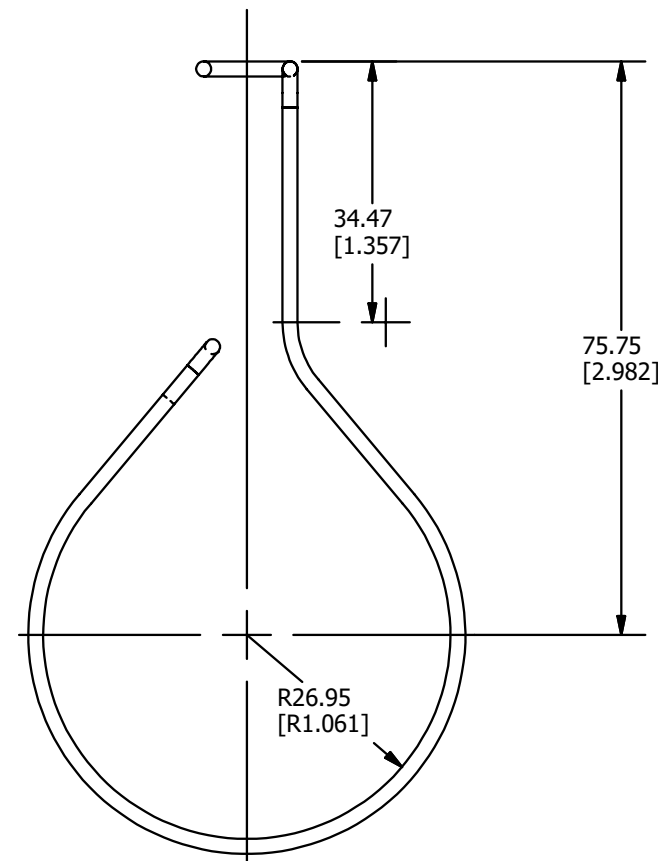
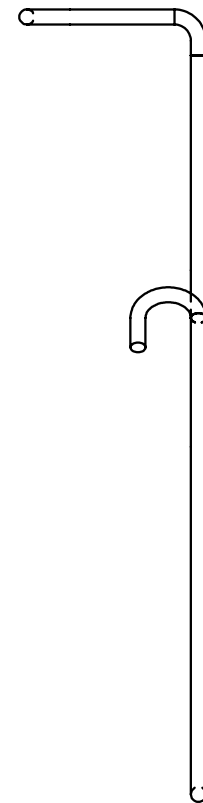
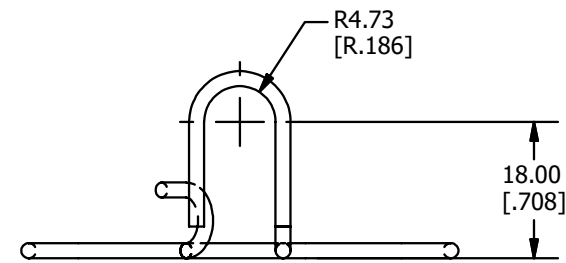


REV	DATE	DESCRIPTION	ECO	BY	C'H'K.
A	20/01/2021	DRAWING CREATED FOR CAT.# WCH2B10	210128004337	TM	EM



NOTES:

- MATERIAL:**
WIRE COIL: GALVANIZED SPRING STEEL.
- DIMENSIONS IN BRACKETS [] ARE IN INCHES ROUNDED OFF TO THE NEAREST TENTH, UNLESS OTHERWISE SPECIFIED AND ARE FOR REFERENCE ONLY.

<p>TO ORDER BURNDY PRODUCTS CALL</p> <p>UNITED STATES 1-800-346-4175 (LONDONDERRY, NH)</p> <p>CANADA: 1-800-361-6975 (QUEBEC) 1-800-387-6487 (ALL OTHER PROVINCES)</p> <p>FOR PRODUCT INFO: http://www.burndy.com</p>	CABLE HANGER		
	ITEM NO: 50119026		
	CAT. NO: WCH2B10		
	DRAWN BY: M.THAMARAI	21-01-2021	
	CHECKER: E.MARTIN	05-02-2021	
	DSN APRVL: E.MARTIN	05-02-2021	
	MFG APRVL: J.VERRANAULT	05-02-2021	
	QA APRVL: --		
	MKT APRVL: S.PARSONS	05-02-2021	
	PROD FAM: WILEY	DRAWING NO	REV
PROJECT #:	SIZE	50119027	
DOCUMENT TYPE: SALES	B	A	
REL LEVEL: Released		SHEET 1 OF 1	