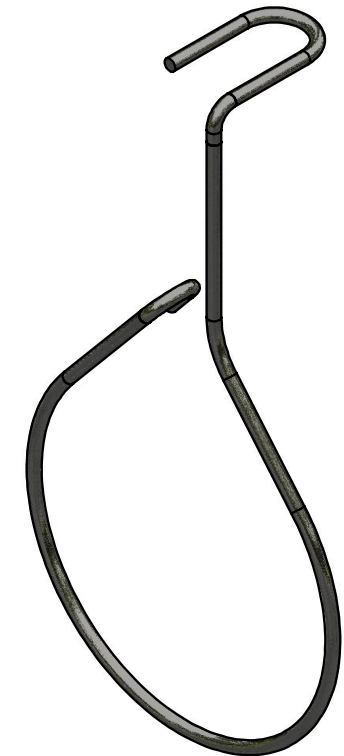
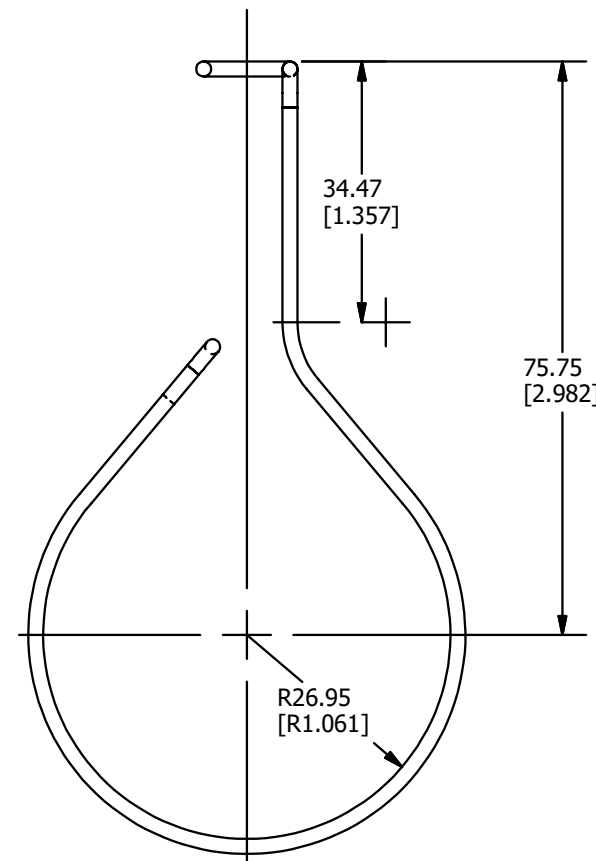
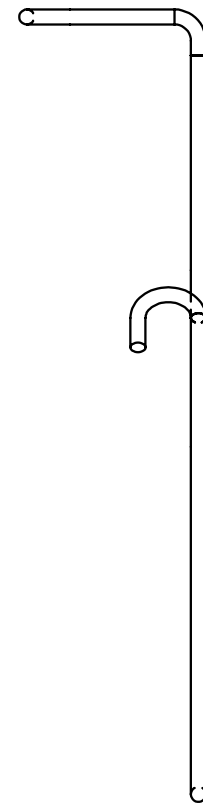
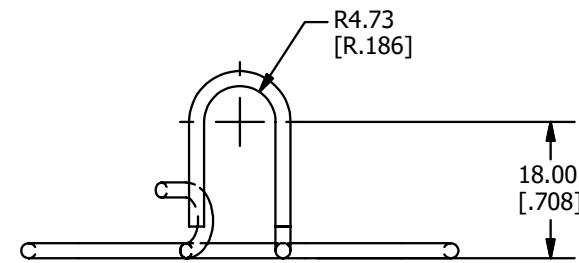


REV	DATE	DESCRIPTION	ECO	BY	C'H'K.
A	20/01/2021	DRAWING CREATED FOR CAT.# WCH2B10GS	210128004337	TM	EM



**NOTES:**

- MATERIAL:**  
WIRE COIL: GALVANIZED SPRING STEEL
- DIMENSIONS IN BRACKETS [ ] ARE IN INCHES ROUNDED OFF TO THE NEAREST TENTH, UNLESS OTHERWISE SPECIFIED AND ARE FOR REFERENCE ONLY.

TO ORDER BURNDY PRODUCTS CALL		CABLE HANGER	
UNITED STATES		ITEM NO: 50119125	
1-800-346-4175 (LONDONDERRY, NH)		CAT. NO: WCH2B10GS	
CANADA:		DRAWN BY: M.THAMARAI 21-01-2021	
1-800-361-6975 (QUEBEC)		CHECKER: E.MARTIN 05-02-2021	
1-800-387-6487 (ALL OTHER PROVINCES)		DSN APRVL: E.MARTIN 05-02-2021	
FOR PRODUCT INFO: <a href="http://www.burndy.com">http://www.burndy.com</a>		MFG APRVL: J.VERRANAULT 05-02-2021	
		QA APRVL: --	
		MKT APRVL: S.PARSONS 05-02-2021	
PROD FAM: WILEY	DRAWING NO	REV	
PROJECT #:	SIZE	50119127	A
DOCUMENT TYPE: SALES	B	SHEET 1 OF 1	
REL LEVEL: Released			