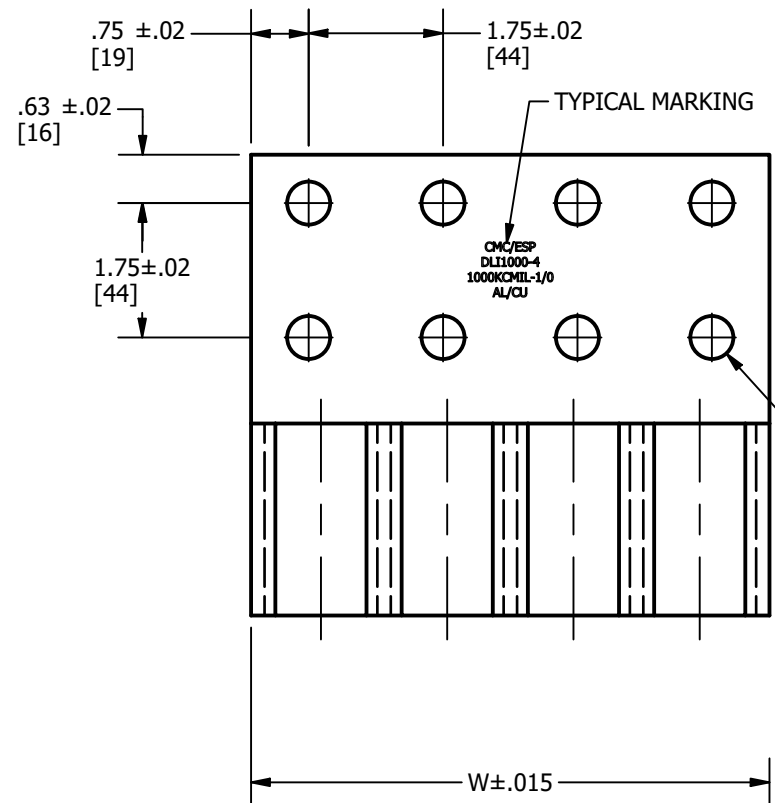


REV	DATE	DESCRIPTION	ECO	BY	C'H'K.
B	10/27/2021	UPDATED TABLE DATA	211026013785	JL	AS



CATALOG NO.	NUMBER OF CONDUCTORS	NUMBER OF MTG HOLES	W	WIRE RANGE	HEX SIZE	FIGURE
KK4A39U8L	4	8	6.75	#2 AWG - 750 kcmil	5/16	2
KK6A39U12L	6	12	12.25		5/16	2
KK8A39U16L	8	16	13.50		5/16	2
KK4A44U8L	4	8	6.75	1/0 AWG - 1000 kcmil	5/16	1
KK6A44U12L	6	12	12.3		5/16	1
KK8A44U16L	8	16	13.5		5/16	1

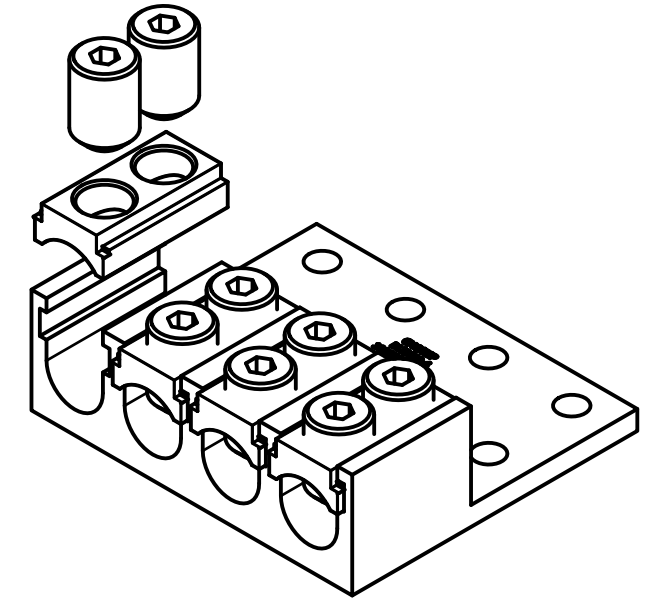
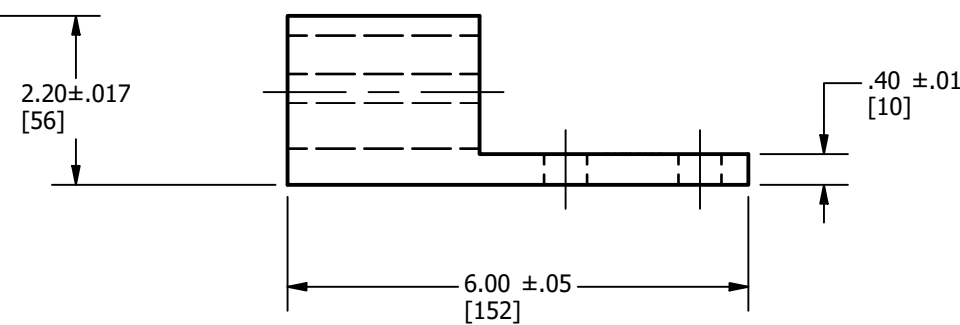
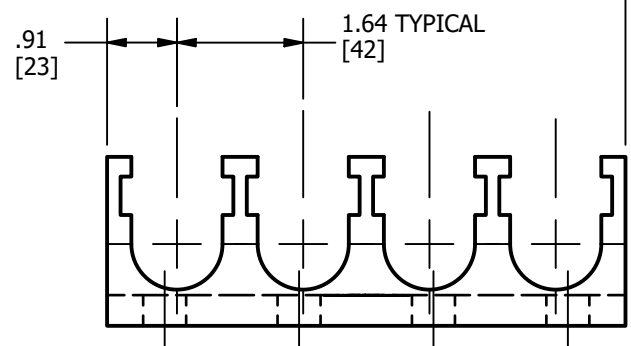


FIGURE 1



NOTES:

1. DIMENSIONS IN BRACKETS [] ARE IN MILLIMETERS ROUNDED OFF TO THE NEAREST MILLIMETER, UNLESS OTHERWISE SPECIFIED AND ARE FOR REFERENCE ONLY.
2. THIS DRAWING TO BE INTERPRETED PER ASME Y14.5
3. MATERIAL: CLEAR PLATED ALUMINUM
4. NO HANGING BURRS PERMITTED
5. AVAILABLE WITHOUT PENETROX OXIDE INHIBITOR. ADD SUFFIX "NP" TO CATALOG NUMBER (EXAMPLE: KK4A39U8LNP)

TO ORDER BURNDY® PRODUCTS CALL
 UNITED STATES
 1-800-346-4175 (LONDONDERRY, NH)
 CANADA:
 1-800-387-6487
 FOR PRODUCT INFO: <http://www.burndy.com>

TRANSFORMER CONNECTOR	
ITEM NO: SEE TABLE	
CAT. NO: SEE TABLE	
DRAWN BY: J.L. BERGERON	4/28/2021
CHECKER: T. REYNOLDS	4/28/2021
DSN APRVL: A. STOKES	8/31/2021
MFG APRVL: M. TWEH	8/31/2021
QA APRVL: T. WATTS	8/31/2021
MKT APRVL: J. NEAR	8/31/2021
PROD FAM: --	
PROJECT #: --	
DOCUMENT TYPE: SALES	
REL LEVEL: Released	
DRAWING NO	REV
50121291	B
SHEET 1 OF 2	



REV	DATE	DESCRIPTION	ECO	BY	C'H'K.
B	10/27/2021	UPDATED TABLE DATA	211026013785	JL	AS

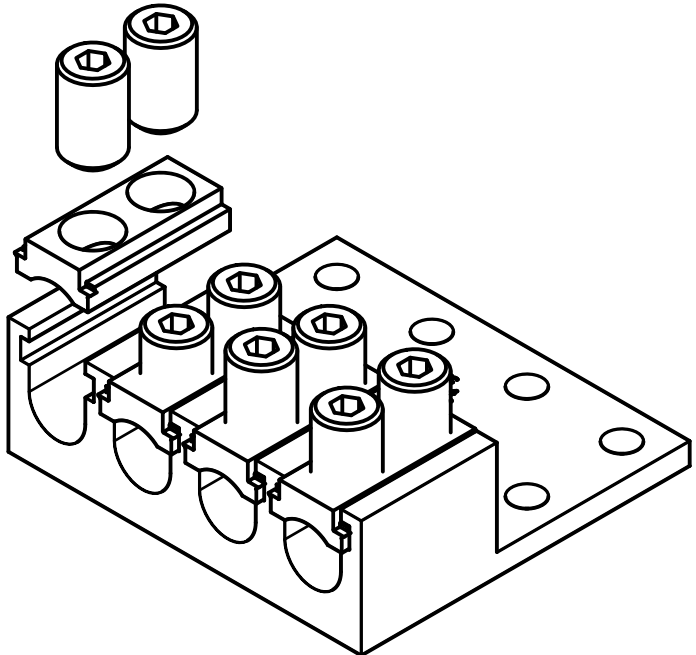
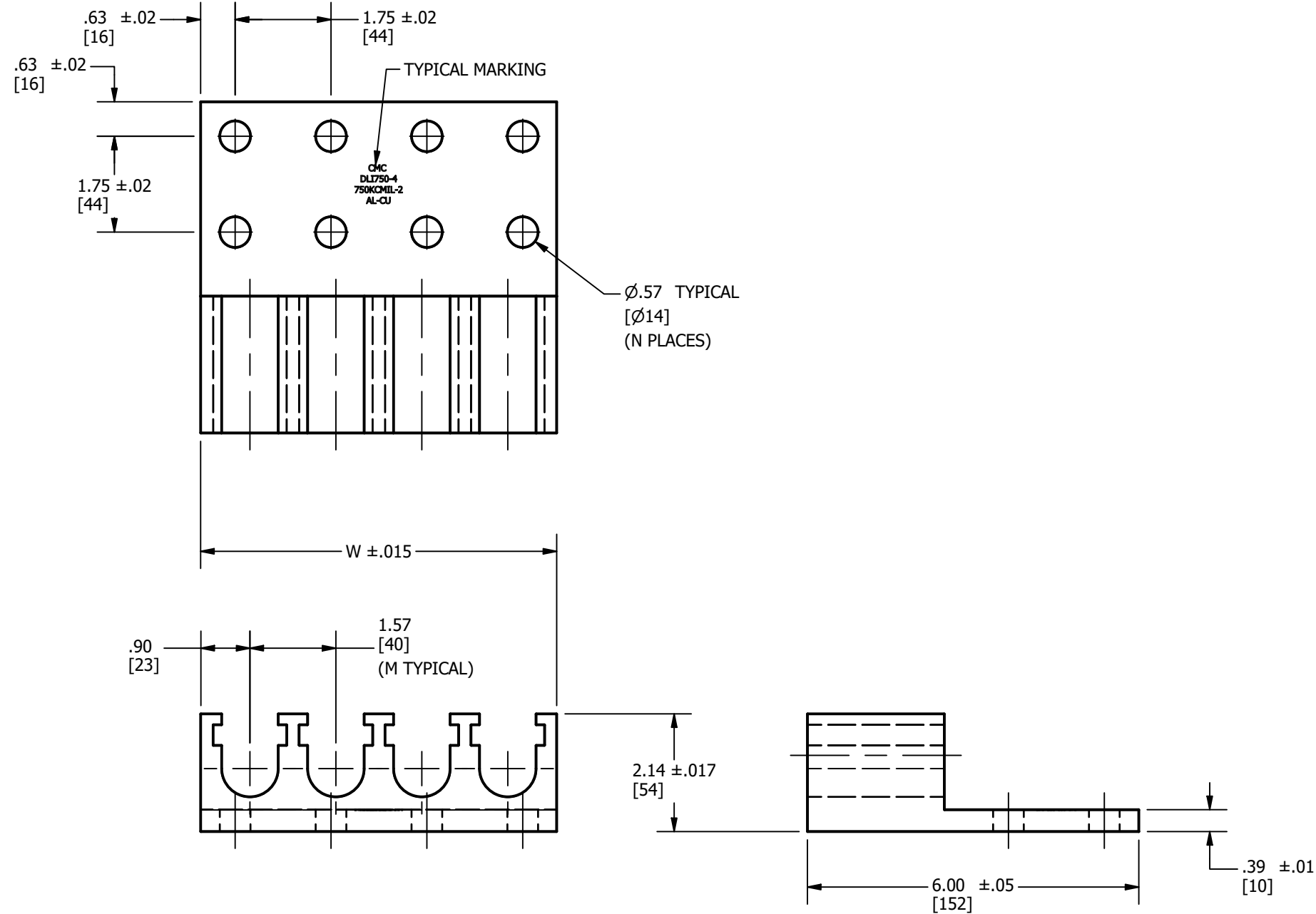



FIGURE 2

NOTES:

1. DIMENSIONS IN BRACKETS [] ARE IN MILLIMETERS ROUNDED OFF TO THE NEAREST MILLIMETER, UNLESS OTHERWISE SPECIFIED AND ARE FOR REFERENCE ONLY.
2. THIS DRAWING TO BE INTERPRETED PER ASME Y14.5
3. MATERIAL: CLEAR PLATED ALUMINUM
4. NO HANGING BURRS PERMITTED
5. AVAILABLE WITHOUT PENETROX OXIDE INHIBITOR. ADD SUFFIX "NP" TO CATALOG NUMBER (EXAMPLE: KK4A39U8LNP)

TO ORDER BURNDY® PRODUCTS CALL		TRANSFORMER CONNECTOR	
UNITED STATES 1-800-346-4175 (LONDONDERRY, NH)		ITEM NO: SEE TABLE CAT. NO: SEE TABLE	
CANADA: 1-800-387-6487		DRAWN BY: J.L. BERGERON 4/28/2021 CHECKER: T. REYNOLDS 4/28/2021 DSN APRVL: A. STOKES 8/31/2021 MFG APRVL: M. TWEH 8/31/2021 QA APRVL: T. WATTS 8/31/2021 MKT APRVL: J. NEAR 8/31/2021	
FOR PRODUCT INFO: http://www.burndy.com			
PROJ #:	SIZE	DRAWING NO	REV
PROJECT #:	B	50121291	B
DOCUMENT TYPE: SALES		SHEET 2 OF 2	
REL LEVEL: Released			