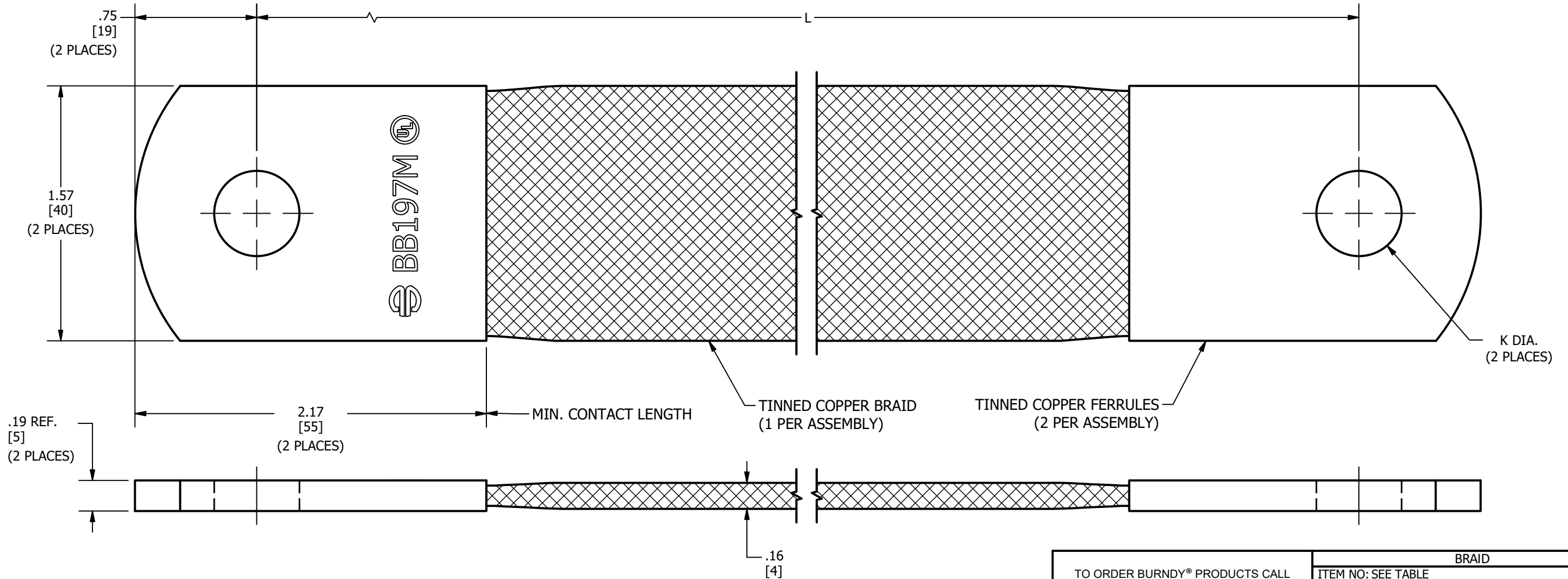
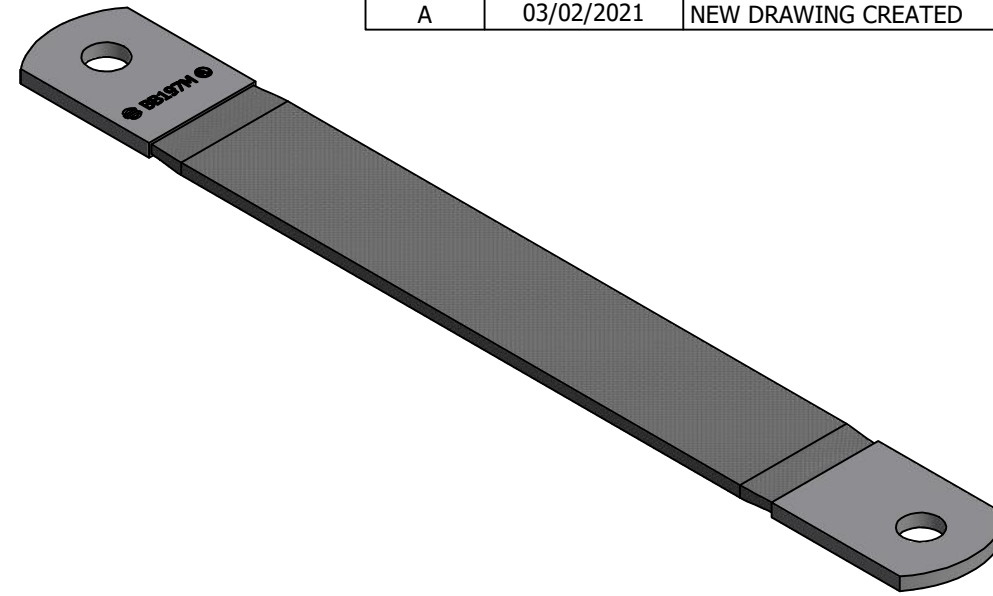


ITEM NUMBER	CATALOG NUMBER	LENGTH "L"	HOLE SIZE	HOLE DIAMETER "K DIA."
50122743	BB197ML12T38TN	12.00 [305]	3/8"	.41 [11]
50122750	BB197ML18T38TN	18.00 [457]	3/8"	.41 [11]
50122744	BB197ML24T38TN	24.00 [610]	3/8"	.41 [11]
50121377	BB197ML12T12TN	12.00 [305]	1/2"	.53 [14]
50122745	BB197ML18T12TN	18.00 [457]	1/2"	.53 [14]
50122746	BB197ML24T12TN	24.00 [610]	1/2"	.53 [14]

REV	DATE	DESCRIPTION	ECO	BY	C'H'K.
A	03/02/2021	NEW DRAWING CREATED	210302005592	PB	RG



NOTES:

- MATERIAL : FERRULES - TINNED COPPER  
BRAID - TINNED COPPER
- DIMENSIONS IN BRACKETS [ ] ARE IN MILLIMETERS ROUNDED OFF TO THE NEAREST MILLIMETER, UNLESS OTHERWISE NOTED, AND ARE FOR REFERENCE ONLY.

TO ORDER BURNDY® PRODUCTS CALL  UNITED STATES 1-800-346-4175 (LONDONDERRY, NH)  CANADA: 1-800-387-6487  FOR PRODUCT INFO: <a href="http://www.burndy.com">http://www.burndy.com</a>	BRAID	
	ITEM NO: SEE TABLE	
	CAT. NO: SEE TABLE	
	DRAWN BY: B.PARTHIBAN 03/02/2021 CHECKER: S.CARBONNEAU 10/07/2021 DSN APRVL: S.CARBONNEAU 10/07/2021 MFG APRVL: E.VARGAS 10/26/2021 QA APRVL: -- MKT APRVL: K.ROBICHEAU 10/08/2021 PROD FAM: MECHANICAL GROUNDING PROJECT #: -- DOCUMENT TYPE: SALES REL LEVEL: Released	
HUBBELL <b>BURNDY</b>	DRAWING NO	REV
	50121368	A
	SHEET 1 OF 1	