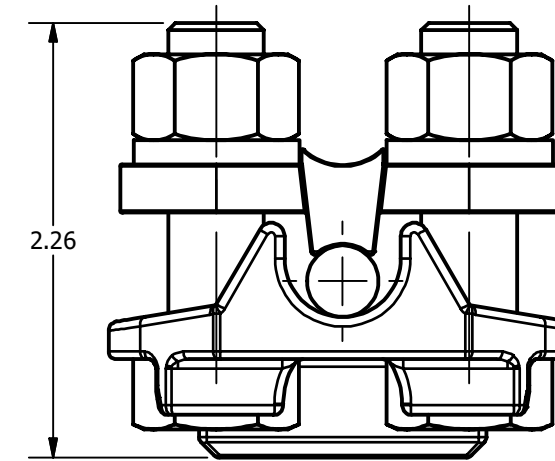
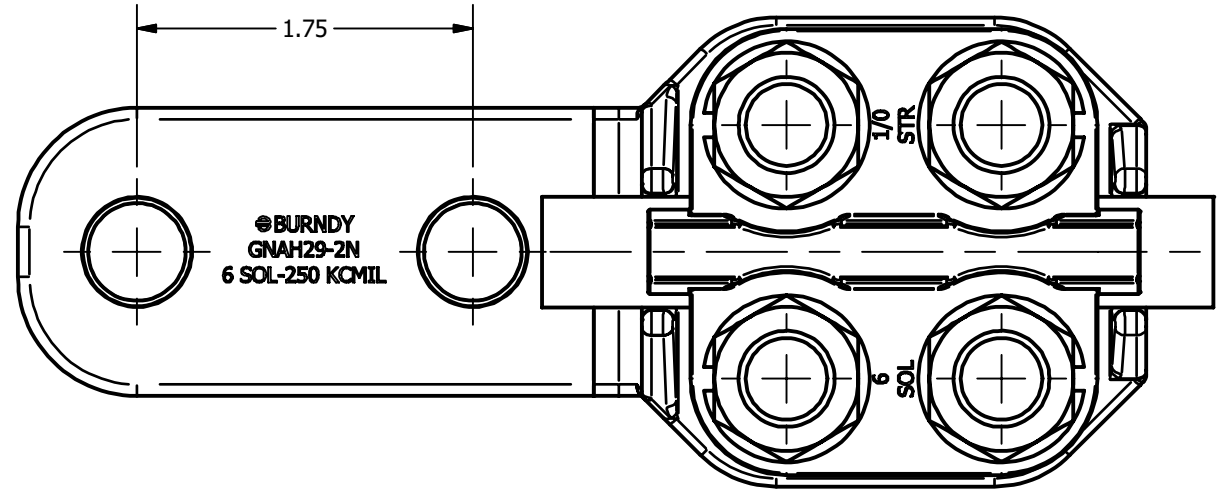
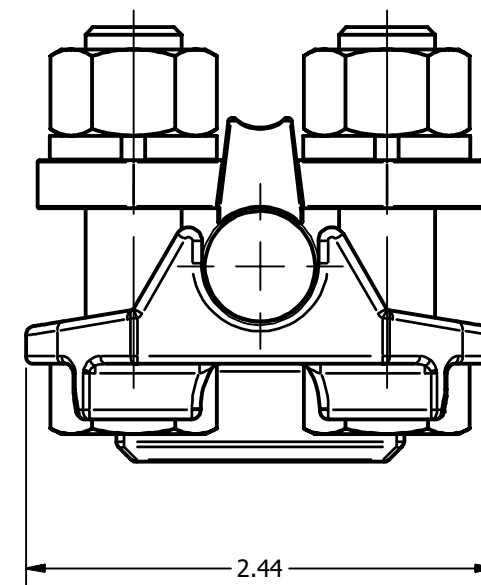
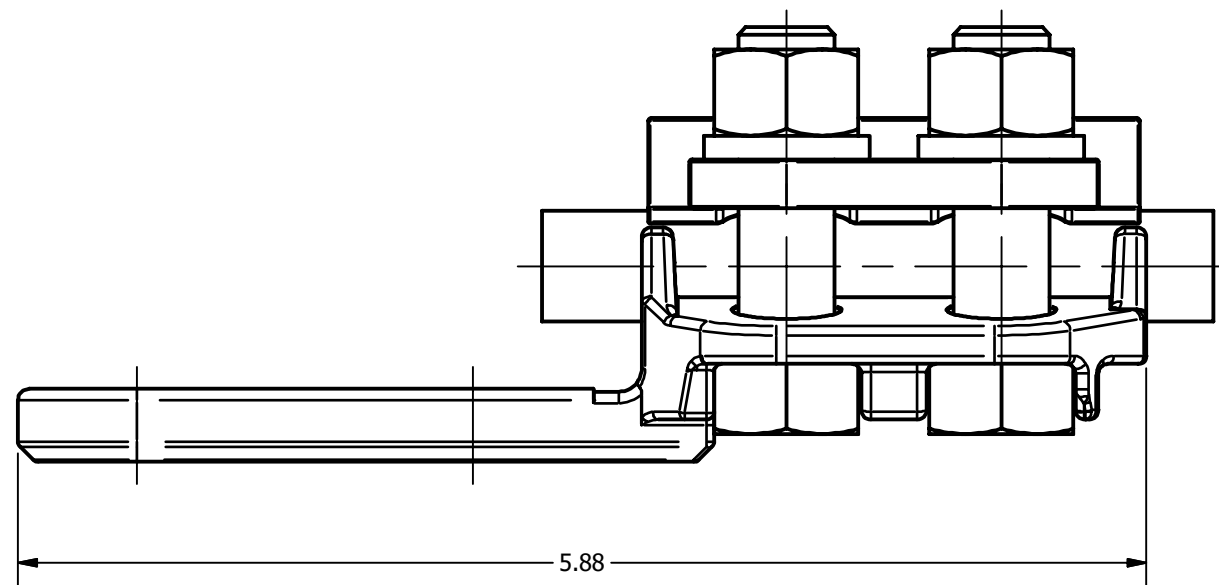


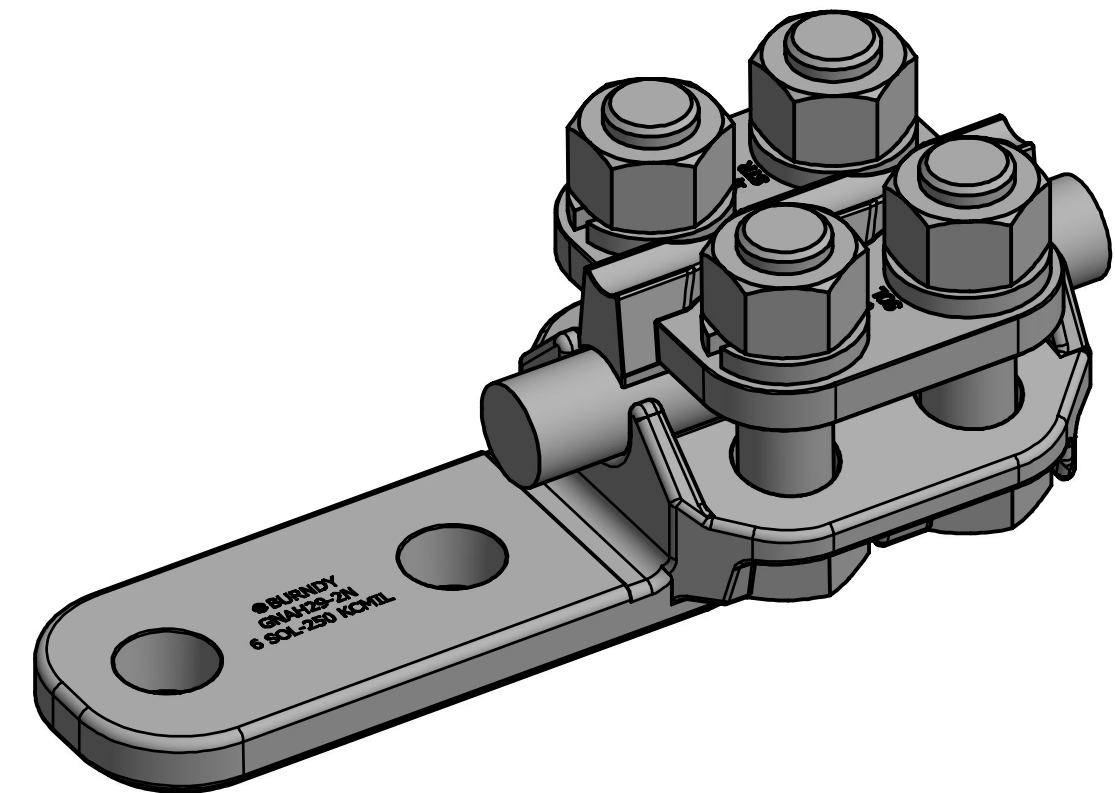
REV	DATE	DESCRIPTION	EC	BY	C'H'K.
B	04/11/2022	DIMENSIONS AND NOTE 5 ADDED	220411019003	PB	RG



SMALL GROOVE



LARGE GROOVE



NOTES:

1. DIMENSIONS IN BRACKETS [] ARE IN MILLIMETERS ROUNDED OFF TO THE NEAREST MILLIMETER, UNLESS OTHERWISE SPECIFIED AND ARE FOR REFERENCE ONLY.
2. MATERIAL: CAST COPPER.
3. QUALIFIED TO IEEE 837-2014
4. ACCOMMODATES: (COMPLETE RANGE) CU CABLE
 #6 SOL (.162 DIA.) TO 250 Kcmil (.575 DIA.)
 (SMALL GROOVE) #6 SOL (.162 DIA.) - 1/0 STR (.373 DIA.)
 (LARGE GROOVE) 2/0 STR (.419 DIA.) - 250 Kcmil (.575 DIA.)
5. ALL HARDWARE TO BE TIGHTENED TO 480 IN-LBS

TO ORDER BURNDY® PRODUCTS CALL		COPPER TERMINAL	
UNITED STATES 1-800-346-4175 (LONDONDERRY, NH)		ITEM NO: 50122538	
CANADA: 1-800-387-6487		CAT. NO: GNAH292N	
FOR PRODUCT INFO: http://www.burndy.com		DRAWN BY: M.THAMARAI 12/16/2020	
		CHECKER: E.MARTIN 6/8/2021	
		DSN APRVL: E.MARTIN 6/8/2021	
		MFG APRVL: C.BECERRIL 5/4/2021	
		QA APRVL: A.PINEDA 6/22/2021	
		MKT APRVL: S.PARSONS 5/6/2021	
		PROD FAM: MECHANICAL GROUNDING	DRAWING NO
		PROJECT #: --	50121402
		DOCUMENT TYPE: SALES	REV
		REL LEVEL: Released	B
			SHEET 1 OF 1

