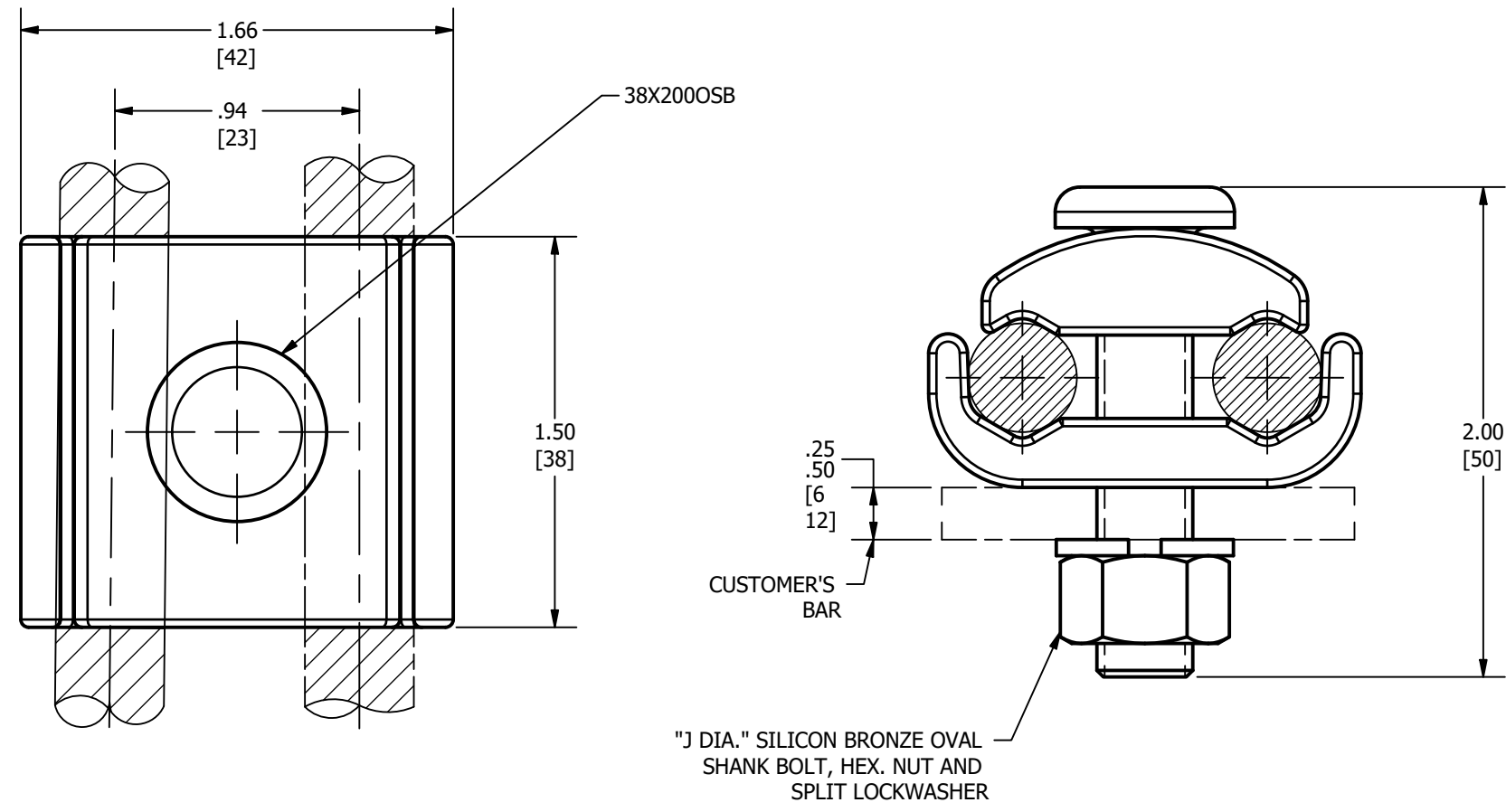


REV	DATE	DESCRIPTION	ECO	BY	CHK.
A	07/29/21	NEW DRAWING CREATED	210728010693	JLB	SB



NOTES:

- 1 UL 467 LISTED, FILE NO. E9999. SUITABLE FOR DIRECT BURIAL IN CONCRETE OR GROUND. CERTIFIED GROUNDING & BONDING, CSA 22.2 NO. 65.
- 2 DIMENSIONS IN BRACKETS [] ARE IN MILLIMETERS ROUNDED OFF TO THE NEAREST MILLIMETER, UNLESS OTHERWISE NOTED, AND ARE FOR REFERENCE ONLY.
- 3 MATERIAL: CAST COPPER ALLOY.

TO ORDER BURNDY® PRODUCTS CALL UNITED STATES 1-800-346-4175 (LONDONDERRY, NH) CANADA: 1-800-387-6487 FOR PRODUCT INFO: http://www.burndy.com		GROUND CONNECTOR	
		ITEM NO: 26415U CAT. NO: GC2626G1T4	
DRAWN BY: J.L. BERGERON 7/29/2021 CHECKER: S. BOWMAN 7/29/2021 DSN APRVL: S. CARBONNEAU 8/31/2021 MFG APRVL: S. PARSON 8/25/2021 QA APRVL: J. BRODEUR 9/1/2021 MKT APRVL: -- PROD FAM: --			
PROJECT #: FPN2103055 DOCUMENT TYPE: SALES REL LEVEL: Released	SIZE B	DRAWING NO 50122933	REV A