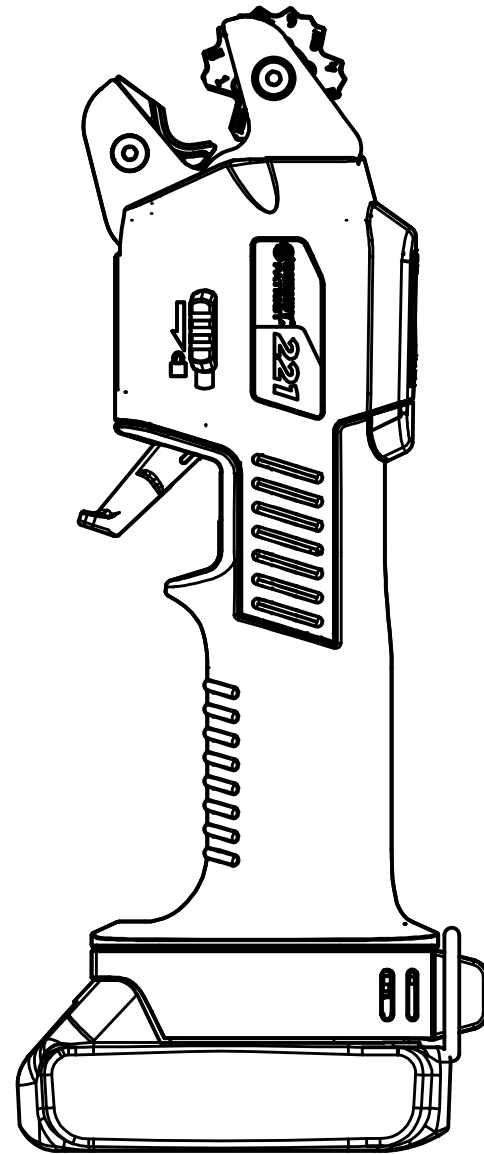
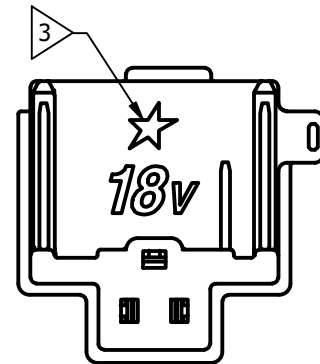


REV	DATE	DESCRIPTION	ECO	BY	C'H'K.
A	02/20/2024	DRAWING RELEASED	240215036896	BW	MG
B	07/26/2024	UPDATED KIT AND DIE TABLES	240726041283	BW	MG



**SPECIFICATIONS:**

Uses Burndy dies only, see sheet 2.  
 Tool Weight: 3.5 lb (with battery)  
 Operating Voltage: 18 V-DC  
 Battery Capacity: 2.0 Ah (36 Wh) up to 6 Ah (108 Wh)



PAT221 W/ 81WHL221 DIE SET  
 AND 2.0 Ah LI BATTERY

**FEATURES AND BENEFITS:**

- BATTERY-POWERED DESIGN REDUCES HAND ACTUATION FORCE BY UP TO 90%, COMPARED TO CONVENTIONAL RATCHET HAND TOOLS.
- JAW FITS INTO THE SAME ENVELOPE AS CONVENTIONAL RATCHET HAND TOOLS, ALLOWING THE USER TO FIT THE TOOL INTO TIGHT SPACES AND CABINETS.
- HALF-SCISSOR JAW PROVIDES A STATIONARY JAW WHICH CAN BE USED TO MORE EASILY LINE UP THE CONNECTOR IN THE DIE FOR CRIMPING.
- CONNECTOR HOLD FEATURE ALLOWS THE USER TO GRIP THE CONNECTOR PRIOR TO CRIMPING SO THAT THE WIRE CAN BE INSERTED.
- ONE BUTTON OPERATION FOR HOLD, CRIMP, AND RETRACT SIMPLIFIES THE USER EXPERIENCE.
- LED WORK LIGHT ILLUMINATES DIMLY LIT WORK AREAS.
- RED LED LIGHT INDICATES INCOMPLETE CRIMP.
- EMERGENCY RELEASE FEATURE CAN REVERSE THE CRIMPING MOTION IF WRONG CONNECTOR, WIRE OR FOREIGN OBJECT IS CRIMPED.
- SAFETY SWITCH PREVENTS ACCIDENTAL ACTUATION OF THE TOOL.
- INDUSTRY-STANDARD MAKITA 18V LXT LITHIUM-ION BATTERIES AND CHARGER PROVIDE LONG-LASTING POWER AND ARE WIDELY AVAILABLE.
- 2.0 Ah (AMPERE-HOUR) BATTERY WEIGHS 35% LESS THAN 3.0 Ah AND 5.0 Ah BATTERY.
- 5-YEAR LIMITED WARRANTY ON THE TOOL. 3-YEAR WARRANTY ON BATTERIES AND CHARGER (THROUGH MAKITA).

**NOTES:**

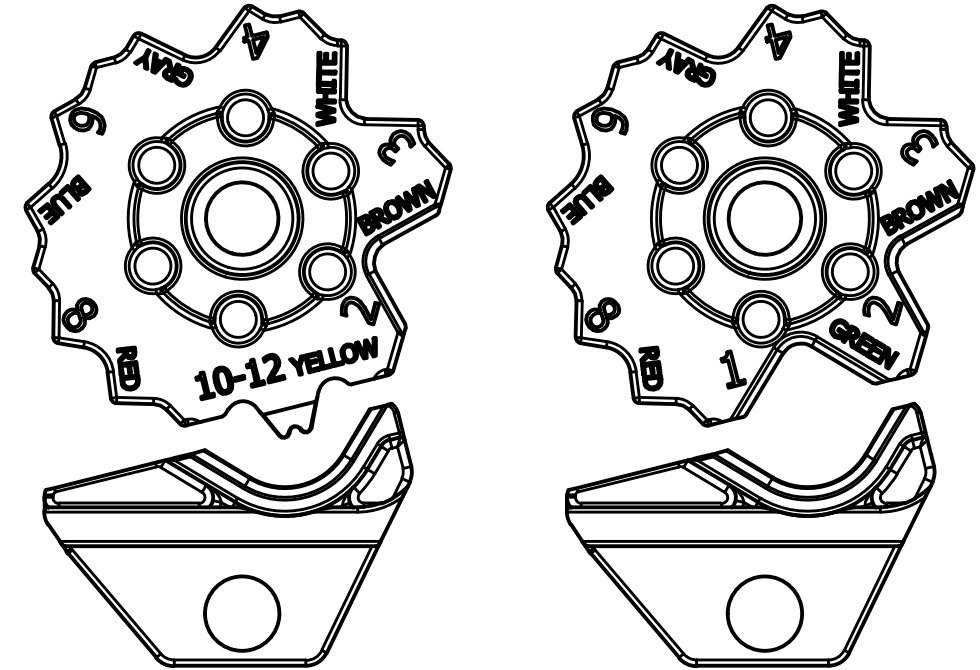
- DIMENSIONS IN BRACKETS [ ] ARE IN MILLIMETERS, ROUNDED OFF TO THE NEAREST MILLIMETER, UNLESS OTHERWISE SPECIFIED, AND ARE FOR REFERENCE ONLY.
- PAT221 IS AVAILABLE IN KITS CONTAINING SEVERAL ACCESSORIES. SEE SHEET 2 FOR KIT CONTENTS.
- TOOL ACCEPTS 18V LXT MAKITA LITHIUM ION BATTERIES, BL SERIES OF SIZE 2.0 Ah AND GREATER. THE "STAR" MOLDED INTO THE PLASTIC CLIP IDENTIFIES ACCEPTANCE OF THE BL SERIES BATTERIES.

TO ORDER BURNDY® PRODUCTS CALL  UNITED STATES 1-800-346-4175 (LONDONDERRY, NH)  CANADA: 1-800-387-6487  FOR PRODUCT INFO: <a href="http://www.burndy.com">http://www.burndy.com</a>		PAT221 KITS AND DIES	
		ITEM NO: (SEE TABLE) CAT. NO: (SEE TABLE)	
DRAWN BY: B. WHITE 9/16/2021 CHECKER: M. GUARRERA 2/22/2024 DSN APRVL: B. WHITE 2/22/2024 MFG APRVL: L. DESMARAIS 3/6/2024 QA APRVL: T. SWAN 4/30/2024 MKT APRVL: M. GUARRERA 2/22/2024			
PROD FAM: TOOLS, BATTERY PROJECT #: 02434 DOCUMENT TYPE: SALES REL LEVEL: Released		SIZE: B DRAWING NO: 50124041 SHEET 1 OF 2	REV: B

AVAILABLE KITS				
CAT. NO.	INCLUDED DIES	BATTERIES	CHARGER	CASE
PAT221B0000	NO DIES (BARE TOOL)	--	--	--
PAT221B02A2	NO DIES (TOOL AND ACCESSORIES)	2.0 Ah (QTY 2)	120V CHGR	HARD CASE
PAT221D02A2	#12-2 AWG DIE WHEEL #8-1 AWG DIE WHEEL	2.0 Ah (QTY 2)	120V CHGR	HARD CASE

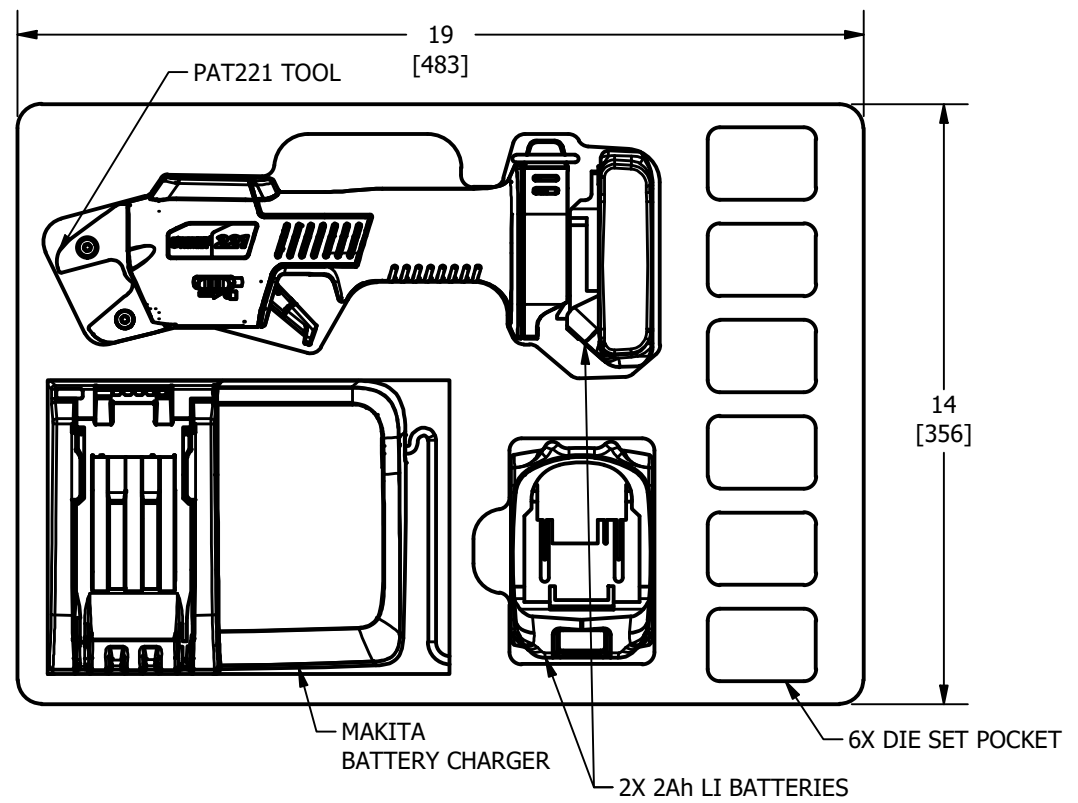
REV	DATE	DESCRIPTION	ECO	BY	C'H'K.
A	02/20/2024	DRAWING RELEASED	240215036896	BW	MG
B	07/26/2024	UPDATED KIT AND DIE TABLES	240726041283	BW	MG

2 DIE INFORMATION				
CAT NO.	DIE TYPE	DESCRIPTION	SALES DRAWING	AVAILABLE IN KITS:
81WHL221	DIE WHEEL	#8-1 AWG DIE WHEEL	50149019	D
122WHL221	DIE WHEEL	#12-2 AWG DIE WHEEL	50149019	D



122WHL221

81WHL221



HARD CASE DIMENSIONS AND CONTENTS

NOTES:

1. DIMENSIONS IN BRACKETS [ ] ARE IN MILLIMETERS, ROUNDED OFF TO THE NEAREST MILLIMETER, UNLESS OTHERWISE SPECIFIED, AND ARE FOR REFERENCE ONLY.

2. DIE SETS ARE AVAILABLE AS ACCESSORIES IN A PAT221 KIT, OR CAN BE ORDERED SEPARATELY.

TO ORDER BURNDY® PRODUCTS CALL		PAT221 KITS AND DIES	
UNITED STATES 1-800-346-4175 (LONDONDERRY, NH)		ITEM NO: (SEE TABLE)	
CANADA: 1-800-387-6487		CAT. NO: (SEE TABLE)	
FOR PRODUCT INFO: <a href="http://www.burndy.com">http://www.burndy.com</a>		DRAWN BY: B. WHITE 9/16/2021	
		CHECKER: M. GUARRERA 2/22/2024	
		DSN APRVL: B. WHITE 2/22/2024	
		MFG APRVL: L. DESMARAIS 3/6/2024	
		QA APRVL: T. SWAN 4/30/2024	
		MKT APRVL: M. GUARRERA 2/22/2024	
		PROD FAM: TOOLS, BATTERY	
		DRAWING NO	
		PROJECT #: 02434	
		SIZE	
		50124041	
		DOCUMENT TYPE: SALES	
		REL LEVEL: Released	
		B	
		SHEET 2 OF 2	
		REV	
		B	

