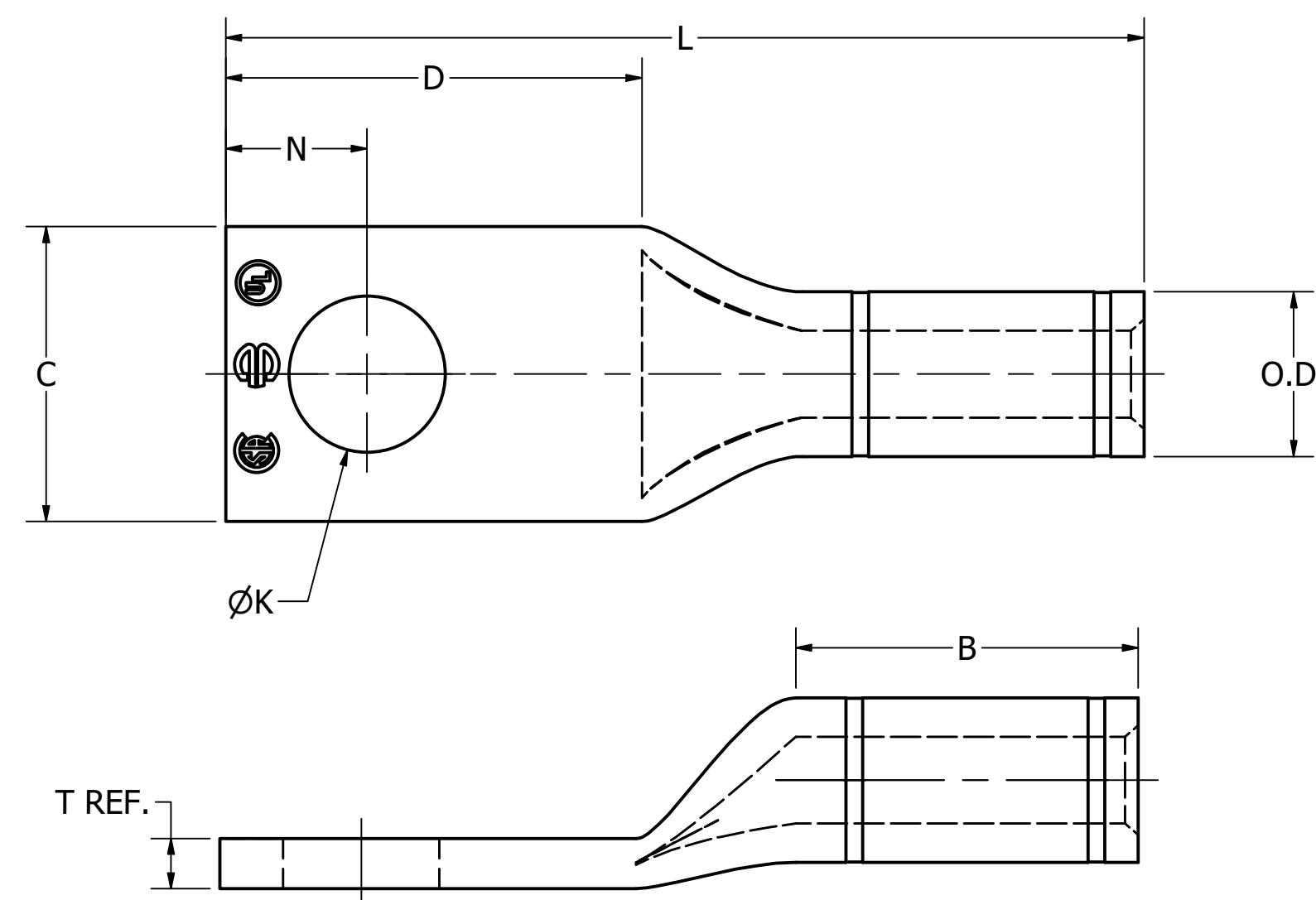


CATALOG NUMBER	C&D REFERENCE NUMBER	C&D AMP RATING	WIRE SIZE FLEX	STUD SIZE	NO. OF HOLES	STUD HOLE DIAMETER (K)	OUTSIDE DIAMETER (O.D.)	BARREL LENGTH (B)	PAD WIDTH (C)	PAD LENGTH (D)	OVERALL LENGTH (L)	HOLE OFFSET (N)	PAD THICKNESS (T)	COLOR CODE	DIE INDEX	WIRE STRIP LENGTH
YAV6CTC10FXLD	PG00339	50	6 AWG B,C,G,H,I,K,M DLO	3/16	1	0.21 [5]	0.31 [8]	1.12 [28]	0.45 [11]	0.78 [20]	1.92 [49]	0.52 [13]	0.07 [2]	BLUE	7	1-1/4
YAV4CTC14FXLD	PG00340	70	4 AWG B,C,G,H,I,K,M DLO	1/4	1	0.27 [7]	0.38 [10]	1.25 [32]	0.55 [14]	0.64 [16]	2.23 [57]	0.31 [8]	0.09 [2]	GRAY	8	1-3/8
YAV2CTC516FXLD	PG00341	90	2 AWG B,C,G,H,I,K,M DLO	5/16	1	0.33 [8]	0.46 [12]	1.35 [34]	0.68 [17]	0.73 [19]	2.43 [62]	0.34 [9]	0.10 [3]	BROWN	10	1-1/2
YAV1CTC516FXLD	PG00342	125	1 AWG B,C,G,H,I,K,M DLO	5/16	1	0.33 [8]	0.51 [13]	1.50 [38]	0.75 [19]	0.70 [18]	2.60 [66]	0.34 [9]	0.12 [3]	GREEN	11	1-5/8
YAV25TC516FXLD	PG00343	125	1/0 AWG B,C,G,H,I,K,M DLO	5/16	1	0.33 [8]	0.56 [14]	1.50 [38]	0.83 [21]	0.73 [19]	2.64 [67]	0.34 [9]	0.12 [3]	PINK	12	1-5/8
YAV26TC516FXLD	PG00344	150	2/0 AWG B,C,G,H,I,K,M DLO	5/16	1	0.33 [8]	0.63 [16]	1.50 [38]	0.93 [24]	0.76 [19]	2.70 [69]	0.34 [9]	0.13 [3]	BLACK	13	1 5/8
YAV27TC516FXLD	PG00345	175	3/0 AWG B,C,G,H,I,K,M DLO	5/16	1	0.33 [8]	0.70 [18]	1.50 [38]	1.03 [26]	0.76 [19]	2.74 [70]	0.34 [9]	0.14 [4]	ORANGE	14	1-5/8
YAG28LTC516LD	PG00444	225	4/0 AWG B,C,G,H,I,K,M DLO	5/16	1	0.33 [8]	0.77 [20]	1.03 [26]	1.14 [29]	0.76 [19]	2.32 [59]	0.34 [9]	0.15 [4]	PURPLE	15	1-1/4
YAV28TC516FXLD	PG00346	225	4/0 AWG B,C,G,H,I,K,M DLO	5/16	1	0.33 [8]	0.77 [20]	1.62 [41]	1.14 [29]	0.76 [19]	2.91 [74]	0.34 [9]	0.15 [4]	PURPLE	15	1-3/4
YAG28LTC516DTLD	PG00346	225	4/0 AWG B,C,G,H,I,K,M DLO	5/16	1	0.33 [8]	0.77 [20]	1.03 [26]	1.14 [29]	0.76 [19]	2.32 [59]	0.34 [9]	0.15 [4]	PURPLE	15	1-3/4
YAV28TC38FXLD	PG00355	225	4/0 AWG B,C,G,H,I,K,M DLO	3/8	1	0.41 [10]	0.77 [20]	1.62 [41]	1.14 [29]	0.94 [24]	3.09 [78]	0.41 [10]	0.15 [4]	PURPLE	15	1-3/4

REV	DATE	DESCRIPTION	ECO	BY	CHK.
A	08/10/2022	ADD C&D AMP RATING COLUMN	220622021458	PC	KC



NOTES:

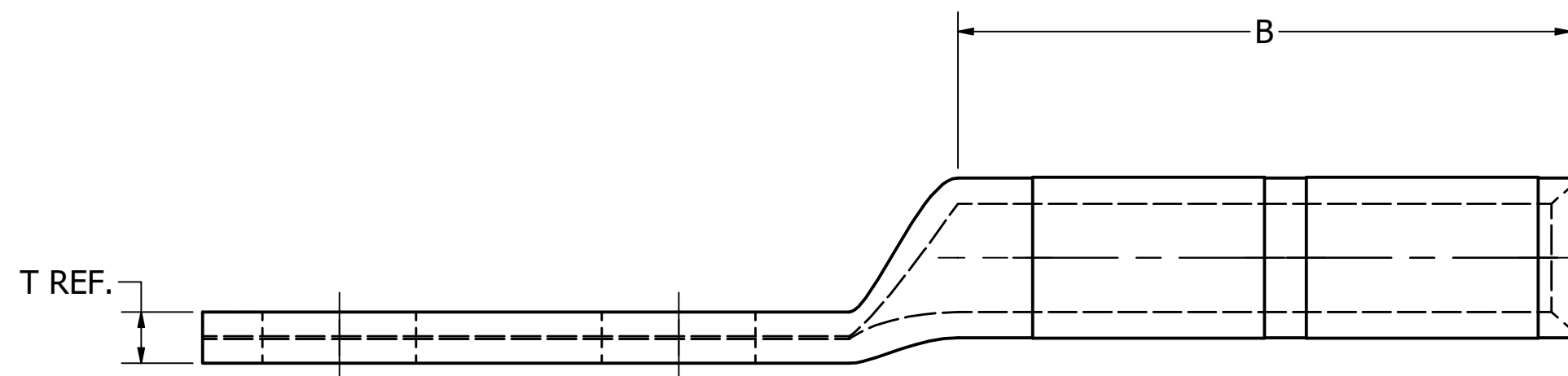
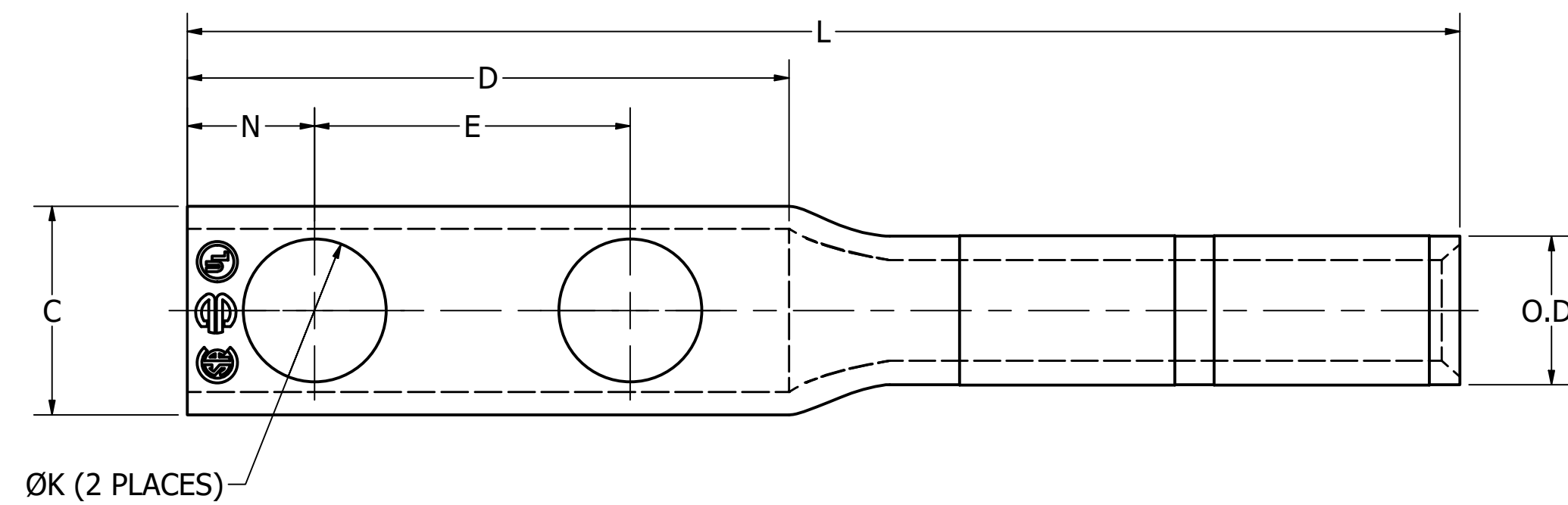
1. MATERIAL: COPPER TUBING.
2. FINISH: LEAD PLATED.
3. INSTALLATION TOOLING AND DIES ARE CONSTANTLY BEING UPDATED. FOR THE LATEST INSTALLATION TOOLING INFORMATION REFER TO THE MASTER CATALOG ON THE BURNDY WEBSITE.
4. DIMENSIONS IN BRACKETS [] ARE IN MILLIMETERS ROUNDED OFF TO THE NEAREST MILLIMETER, UNLESS OTHERWISE NOTED, AND ARE FOR REFERENCE ONLY.
5. "DT" SUFFIX DENOTES SOLDER SEAM INSIDE BARREL.
6. AMPERAGE RATINGS DERIVED FROM UL 486A-486B.

C&D BATTERY ONLY

<p>TO ORDER BURNDY® PRODUCTS CALL</p> <p>UNITED STATES</p> <p>1-800-346-4175 (LONDONDERRY, NH)</p> <p>CANADA:</p> <p>1-800-387-6487</p> <p>FOR PRODUCT INFO: http://www.burndy.com</p>	LEAD PLATED TERMINALS		
	ITEM NO:	SEE TABLE ABOVE	
	CAT. NO:	SEE TABLE ABOVE	
	DRAWN BY:	P.CHILDS 08/08/2022	
	CHECKER:	K.CASTONGUAY 12/21/2022	
	DSN APRVL:	R.ROMAN 01/06/2023	
	MFG APRVL:	-- --	
	QA APRVL:	T.WATTS 12/21/2022	
	MKT APRVL:	B.MICHAUD 12/21/2022	
	PROD FAM:	CM&R COMPRESSION	
PROJECT #:	FPN2208011	SIZE	<p>D</p>
DOCUMENT TYPE:	SALES	<p>50125078</p>	
REL LEVEL:	Released		
		<p>A</p>	

DRAWING NO	REV
50125078	
SHEET 1 OF 4	

CATALOG NUMBER	C&D REFERENCE NUMBER	C&D AMP RATING	WIRE SIZE FLEX	STUD SIZE	NO. OF HOLES	STUD HOLE DIAMETER (K)	OUTSIDE DIAMETER (O.D.)	BARREL LENGTH (B)	PAD WIDTH (C)	PAD LENGTH (D)	HORIZONTAL HOLE SPACING (E)	OVERALL LENGTH (L)	HOLE OFFSET (N)	PAD THICKNESS (T)	COLOR CODE	DIE INDEX	WIRE STRIP LENGTH	REV	DATE	DESCRIPTION	ECO	BY	CHK.
																		A	08/10/2022	ADD C&D AMP RATING COLUMN	220622021458	PC	KC
YAV1C2TC516FXLD	PG00349	125	1 AWG B,C,G,H,I,K,M DLO	5/16	2	0.33 [8]	0.51 [13]	1.50 [38]	0.75 [19]	1.74 [44]	1.00 [25]	2.72 [69]	0.34 [9]	0.12 [3]	GREEN	11	1-5/8						
YAV252TC516FXLD	PG00350	125	1/0 AWG B,C,G,H,I,K,M DLO	5/16	2	0.33 [8]	0.56 [14]	0.69 [18]	0.83 [21]	1.74 [44]	1.00 [25]	2.82 [72]	0.34 [9]	0.12 [3]	PINK	12	1-5/8						
YAV252TC516E22FXLD	PG00351	125	1/0 AWG B,C,G,H,I,K,M DLO	5/16	2	0.33 [8]	0.56 [14]	1.50 [38]	0.83 [21]	1.74 [44]	1.56 [40]	3.86 [98]	0.34 [9]	0.12 [3]	PINK	12	1-5/8						
YAV262TC516E22FXLD	PG00352	150	2/0 AWG B,C,G,H,I,K,M DLO	5/16	2	0.33 [8]	0.63 [16]	1.50 [38]	0.93 [24]	1.90 [48]	1.56 [40]	4.02 [102]	0.34 [9]	0.13 [3]	BLACK	13	1-5/8						
YAV272TC516E22FXLD	PG00353	175	3/0 AWG B,C,G,H,I,K,M DLO	5/16	2	0.33 [8]	0.70 [18]	1.50 [38]	1.03 [26]	1.90 [48]	1.56 [40]	4.23 [107]	0.34 [9]	0.14 [4]	ORANGE	14	1-5/8						
YAV282TC516E22FXLD	PG00354	225	4/0 AWG B,C,G,H,I,K,M DLO	5/16	2	0.33 [8]	0.77 [20]	1.62 [41]	1.14 [29]	1.90 [48]	1.56 [40]	4.38 [111]	0.34 [9]	0.15 [4]	PURPLE	15	1-3/4						
YA382NTCFXLD	PG00360	--	500 Kcmil H,I,K 550 Kcmil G,H,I 535 Kcmil DLO	1/2	2	0.56 [14]	1.25 [32]	2.81 [71]	1.63 [41]	2.03 [52]	1.75 [44]	5.77 [147]	0.56 [14]	0.27 [7]	PINK	400	3						



C&D BATTERY ONLY

TO ORDER BURNDY® PRODUCTS CALL
 UNITED STATES
 1-800-346-4175 (LONDONDERRY, NH)

CANADA:
 1-800-387-6487

FOR PRODUCT INFO: <http://www.burndy.com>

LEAD PLATED TERMINALS

ITEM NO:	SEE TABLE ABOVE		DRAWING NO	REV
CAT. NO:	SEE TABLE ABOVE			
DRAWN BY:	P.CHILDS 08/08/2022			
CHECKER:	K.CASTONGUAY 12/21/2022			
DSN APRVL:	R.ROMAN 01/06/2023			
MFG APRVL:	-- --			
QA APRVL:	T.WATTS 12/21/2022	<p>SIZE</p> <p>D</p>	50125078	A
MKT APRVL:	B.MICHAUD 12/21/2022			
PROD FAM:	CM&R COMPRESSION			
PROJECT #:	FPN2208011			
DOCUMENT TYPE:	SALES	SHEET 2 OF 4		
REL LEVEL:	Released			

REV	DATE	DESCRIPTION	ECO	BY	CHK.
A	08/10/2022	ADD C&D AMP RATING COLUMN	220622021458	PC	KC

CATALOG NUMBER	C&D REFERENCE NUMBER	C&D AMP RATING	WIRE SIZE FLEX	STUD SIZE	NO. OF HOLES	K	FIG.	OUTSIDE DIAMETER (O.D.)	BARREL LENGTH (B)	PAD WIDTH (C)	PAD LENGTH (D)	HORIZONTAL HOLE SPACING (E)	VERTICAL HOLE SPACING (F)	OVERALL LENGTH (L)	HOLE OFFSET (N)	PAD THICKNESS (T)	COLOR CODE	DIE INDEX	WIRE STRIP LENGTH
YAG272TCG1	PG00347	175	3/0 AWG G,H,I,K,M DLO	5/16	2	0.33 [8]	1	0.70 [18]	1.50 [38]	1.03 [26]	1.52 [39]	0.73 [19]	0.18 [5]	3.50 [89]	0.34 [9]	0.14 [4]	ORANGE	14	1-9/16
YAG282TCG2	PG00348	225	4/0 AWG G,H,I,K,M DLO	5/16	2	0.33 [8]	1	0.77 [20]	1.63 [41]	1.14 [29]	1.52 [39]	0.73 [19]	0.18 [5]	3.67 [41]	0.34 [9]	0.15 [4]	PURPLE	15	1-11/16

CATALOG NUMBER	C&D REFERENCE NUMBER	C&D AMP RATING	WIRE SIZE FLEX	STUD SIZE	NO. OF HOLES	STUD HOLE DIAMETER (K)	FIG.	OUTSIDE DIAMETER (O.D.)	BARREL LENGTH (B)	PAD WIDTH (C)	PAD LENGTH (D)	HORIZONTAL HOLE SPACING (E)	OVERALL LENGTH (L)	HOLE OFFSET (N)	PAD THICKNESS (T)	COLOR CODE	DIE INDEX	WIRE STRIP LENGTH
YAG25L2TC38LD	PG00331	125	1/0 AWG G,H,I,K,M DLO	3/8	2	0.41 [10]	2	0.56 [14]	0.69 [18]	0.83 [21]	1.84 [47]	1.00 [25]	2.97 [75]	0.41 [10]	0.12 [3]	PINK	12	11/16
YAG26L2TC38LD	PG00332	150	2/0 AWG G,H,I,K,M DLO	3/8	2	0.40 [10]	2	0.63 [16]	0.81 [21]	0.93 [24]	1.84 [47]	1.00 [25]	3.14 [80]	0.41 [10]	0.13 [3]	BLACK	13	13/16
YAG27L2TC38LD	PG00333	175	3/0 AWG G,H,I,K,M DLO	3/8	2	0.41 [10]	2	0.70 [18]	1.00 [25]	1.03 [26]	1.84 [47]	1.00 [25]	3.38 [86]	0.41 [10]	0.14 [4]	ORANGE	14	1-1/8
YAG28L2TC38LD	PG00334	225	4/0 AWG G,H,I,K,M DLO	3/8	2	0.40 [10]	2	0.77 [20]	1.03 [26]	1.14 [29]	1.84 [47]	1.00 [25]	3.46 [88]	0.41 [10]	0.14 [3.56]	PURPLE	15	1-3/8

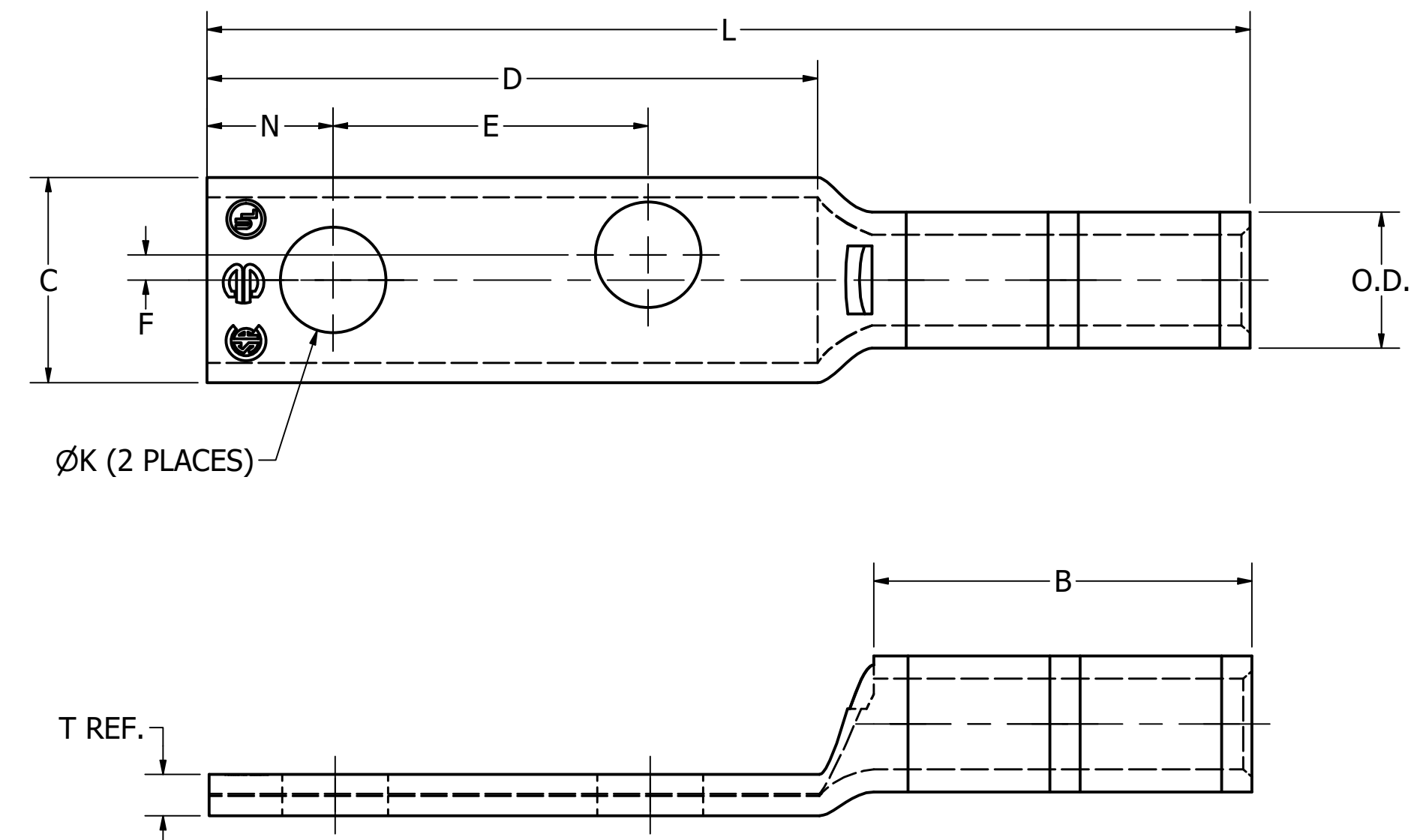


FIGURE 1

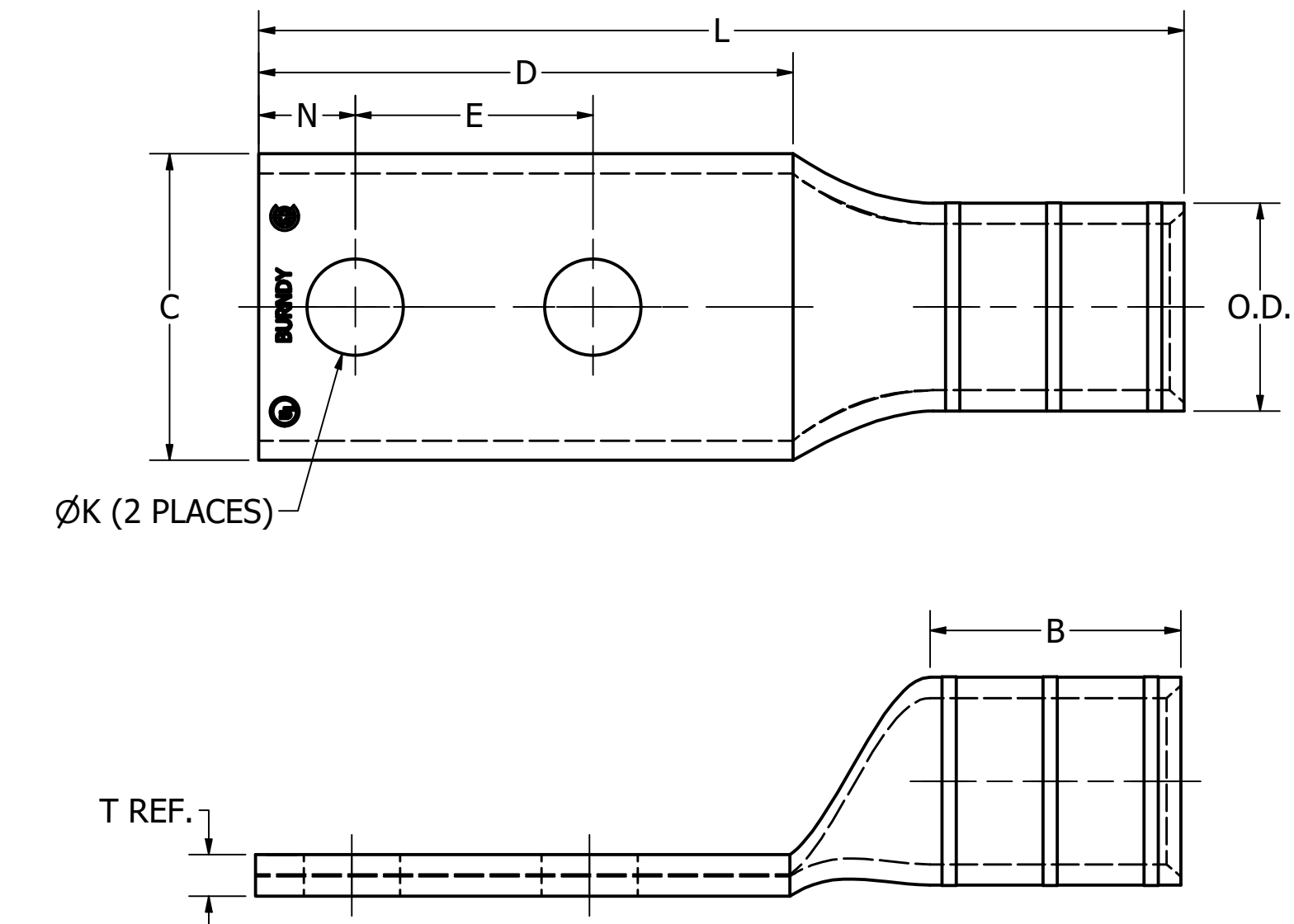



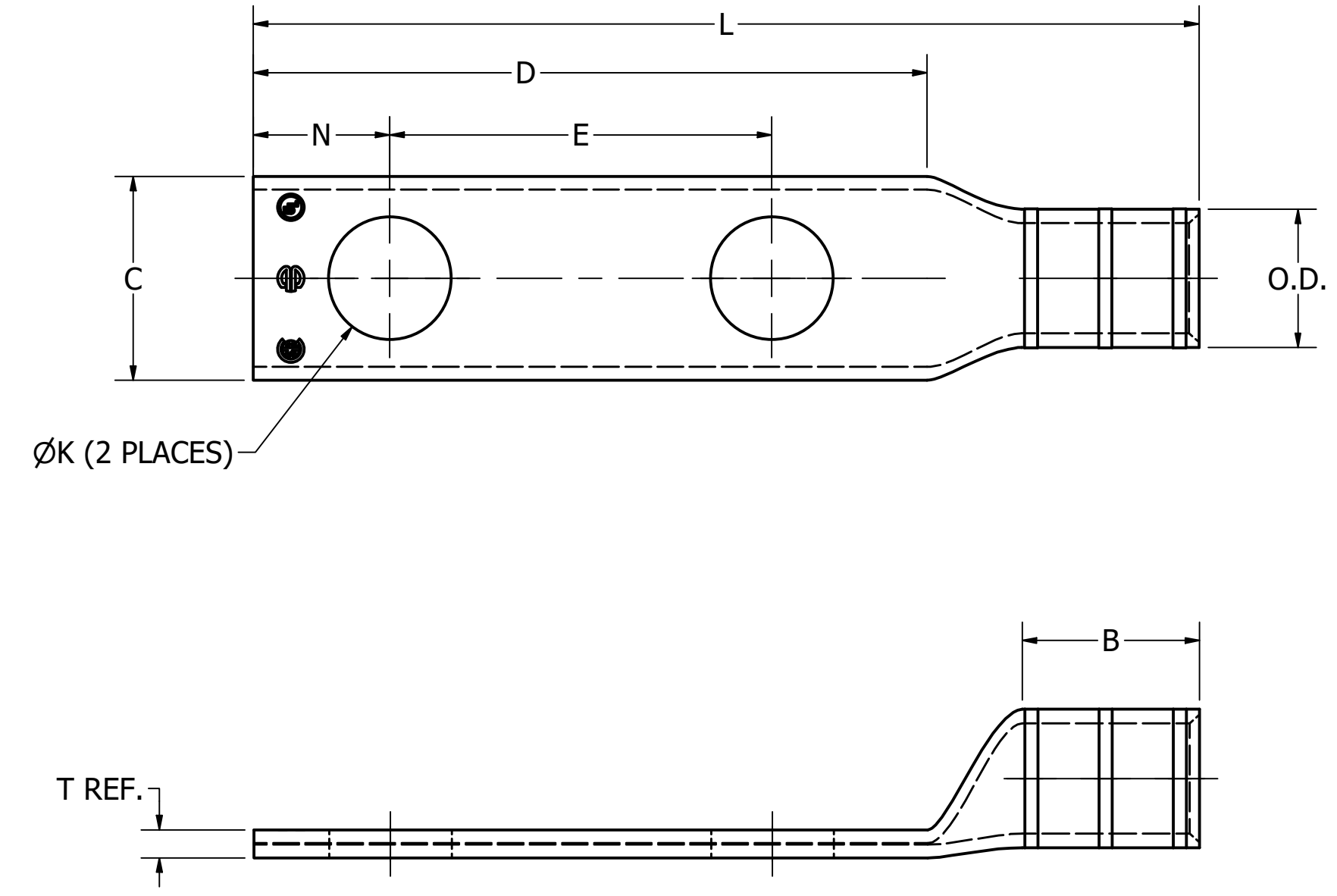
FIGURE 2

C&D BATTERY ONLY

<p>TO ORDER BURNDY® PRODUCTS CALL</p> <p>UNITED STATES</p> <p>1-800-346-4175 (LONDONDERRY, NH)</p> <p>CANADA:</p> <p>1-800-387-6487</p> <p>FOR PRODUCT INFO: http://www.burndy.com</p>		<p>LEAD PLATED TERMINALS</p>	
		<p>ITEM NO: SEE TABLE ABOVE</p> <p>CAT. NO: SEE TABLE ABOVE</p> <p>DRAWN BY: P.CHILDS 08/08/2022</p> <p>CHECKER: K.CASTONGUAY 12/21/2022</p> <p>DSN APRVL: R.ROMAN 01/06/2023</p> <p>MFG APRVL: - - - -</p> <p>QA APRVL: T.WATTS 12/21/2022</p> <p>MKT APRVL: B.MICHAUD 12/21/2022</p> <p>PROD FAM: CM&R COMPRESSION</p> <p>PROJECT #: FPN2208011</p> <p>DOCUMENT TYPE: SALES</p> <p>REL LEVEL: Released</p>	
		<p>SIZE</p> <p>D</p>	<p>REV</p> <p>A</p>

CATALOG NUMBER	C&D REFERENCE NUMBER	C&D AMP RATING	WIRE SIZE FLEX	STUD SIZE	NO. OF HOLES	STUD HOLE DIAMETER (K)	OUTSIDE DIAMETER (O.D.)	BARREL LENGTH (B)	PAD WIDTH (C)	PAD LENGTH (D)	HORIZONTAL HOLE SPACING (E)	OVERALL LENGTH (L)	HOLE OFFSET (N)	PAD THICKNESS (T)	COLOR CODE	DIE INDEX	WIRE STRIP LENGTH
YAV252NTCFXLD	PG00367	125	1/0 AWG G,H,I,K,M DLO	1/2	2	0.56 [14]	0.56 [14]	1.50 [38]	0.83 [21]	3.05 [77]	1.75 [44]	4.97 [126]	0.63 [16]	0.12 [3]	PINK	12	2
YAV262NTCFXLD	PG00368	150	2/0 AWG G,H,I,K,M DLO	1/2	2	0.56 [14]	0.63 [16]	1.50 [38]	0.93 [24]	3.05 [77]	1.75 [44]	5.02 [128]	0.63 [16]	0.13 [3]	BLACK	13	1-5/8
YAV272NTCFXLD	PG00369	175	3/0 AWG G,H,I,K,M DLO	1/2	2	0.56 [14]	0.70 [18]	1.50 [38]	1.03 [26]	3.05 [77]	1.75 [44]	5.07 [129]	0.63 [16]	0.14 [4]	ORANGE	14	1-5/8
YAV282NTCFXDTLD	PG00337	225	4/0 AWG G,H,I,K,M DLO	1/2	2	0.56 [14]	0.77 [20]	1.62 [41]	1.14 [29]	3.05 [77]	1.75 [44]	5.24 [133]	0.63 [16]	0.15 [4]	PURPLE	15	1-3/4
YA312NTCFXLD	PG00358	--	300 Kcmil G,H,I,K,M 313 DLO	1/2	2	0.56 [14]	0.88 [22]	2.00 [51]	1.29 [33]	3.05 [77]	1.75 [44]	5.67 [144]	0.63 [16]	0.18 [5]	BLUE	19	2-3/16

REV	DATE	DESCRIPTION	ECO	BY	CHK.
A	08/10/2022	ADD C&D AMP RATING COLUMN	220622021458	PC	KC



C&D BATTERY ONLY

TO ORDER BURNDY® PRODUCTS CALL
 UNITED STATES
 1-800-346-4175 (LONDONDERRY, NH)
 CANADA:
 1-800-387-6487
 FOR PRODUCT INFO: <http://www.burndy.com>

LEAD PLATED TERMINALS		DRAWING NO		REV	
ITEM NO:	SEE TABLE ABOVE	50125078		A	
CAT. NO:	SEE TABLE ABOVE	50125078		A	
DRAWN BY:	P.CHILDS 08/08/2022	50125078		A	
CHECKER:	K.CASTONGUAY 12/21/2022	50125078		A	
DSN APRVL:	R.ROMAN 01/06/2023	50125078		A	
MFG APRVL:	-- --	50125078		A	
QA APRVL:	T.WATTS 12/21/2022	50125078		A	
MKT APRVL:	B.MICHAUD 12/21/2022	50125078		A	
PROD FAM:	CM&R COMPRESSION	50125078		A	
PROJECT #:	FPN2208011	50125078		A	
DOCUMENT TYPE:	SALES	50125078		A	
REL LEVEL:	Released	50125078		A	

