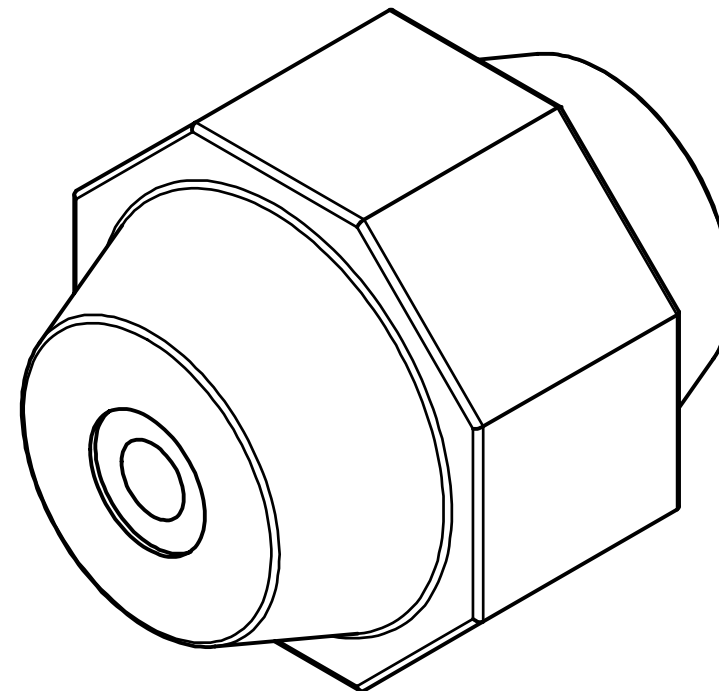
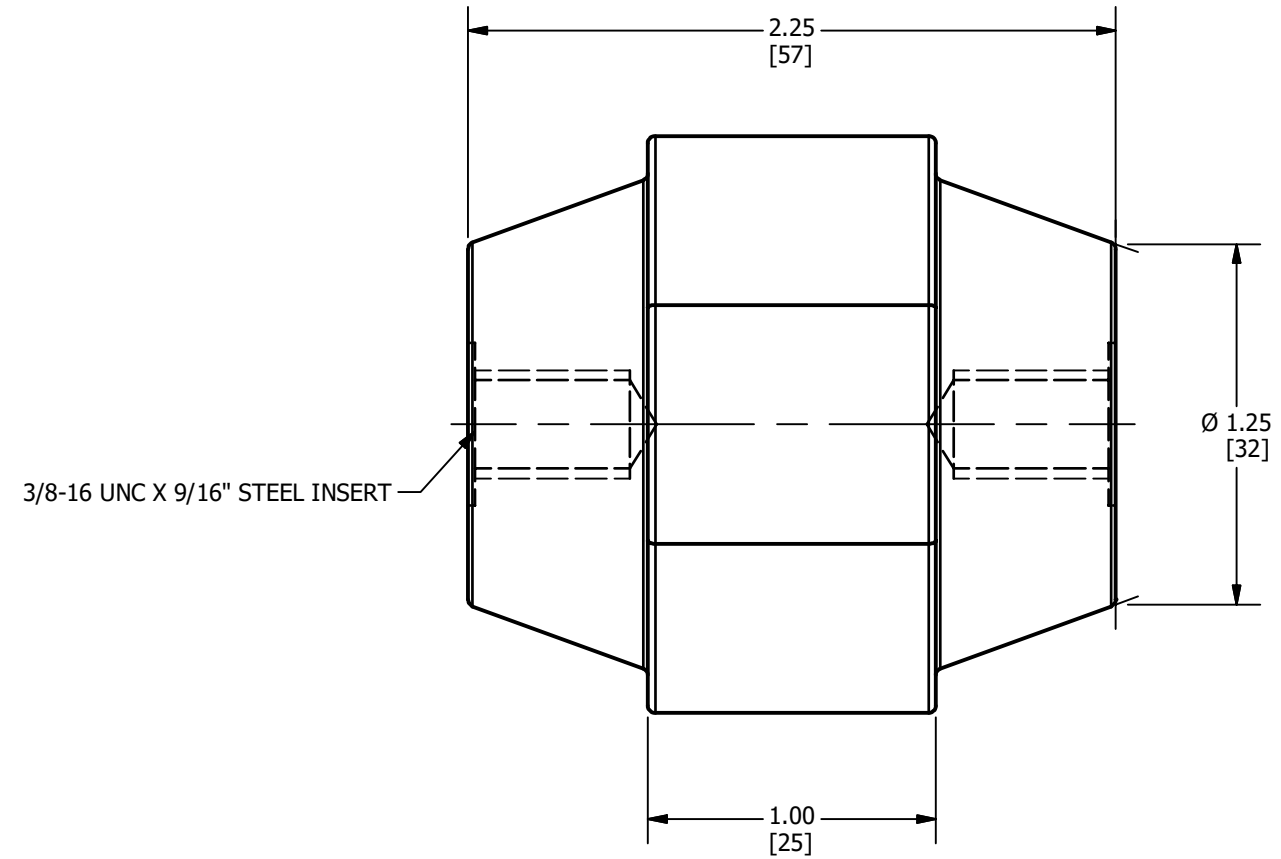
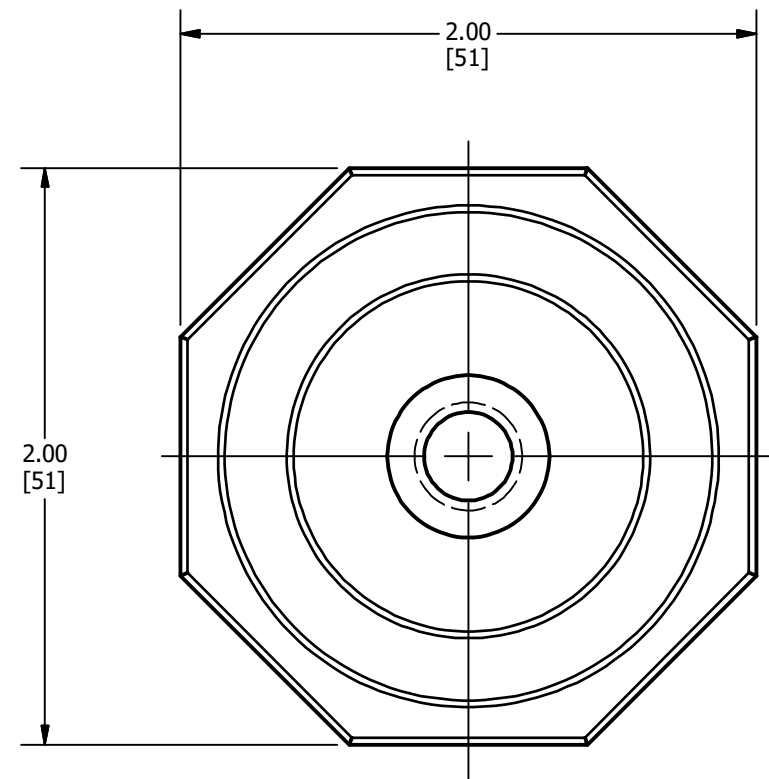


REV	DATE	DESCRIPTION	ECO	BY	C'H'K.
A	04/05/2022	NEW DRAWING CREATED	220405018813	PB	RG



**NOTES:**

1. DIMENSIONS IN BRACKETS [ ] ARE IN MILLIMETERS ROUNDED OFF TO THE NEAREST MILLIMETER, UNLESS OTHERWISE SPECIFIED AND ARE FOR REFERENCE ONLY.
2. MATERIAL:  
GLASS REINFORCED THERMOSET POLYESTER - RED

thermOweld®

TO ORDER thermOweld® PRODUCTS CALL

UNITED STATES  
1-800-558-1373

CANADA:  
1-800-387-6487

FOR PRODUCT INFO: <http://www.burndy.com>

2700V RED OCT STANDOFF INSUL 3/8" - 16 x 9/16

ITEM NO: 000038772500

CAT. NO: 000038772500

DRAWN BY: B.PARTHIBAN 4/5/2022  
 CHECKER: B.ELLIOTT 4/7/2022  
 DSN APRVL: B.ELLIOTT 4/7/2022  
 MFG APRVL: P.MARTEL 4/12/2022  
 QA APRVL: G.REDFIELD 4/7/2022  
 MKT APRVL: K.ROBICHEAU 4/8/2022



PROJ #:	---	SIZE:	B	DRAWING NO:	50127751	REV:	A
DOCUMENT TYPE:	SALES	REL LEVEL:	Released	SHEET 1 OF 1			