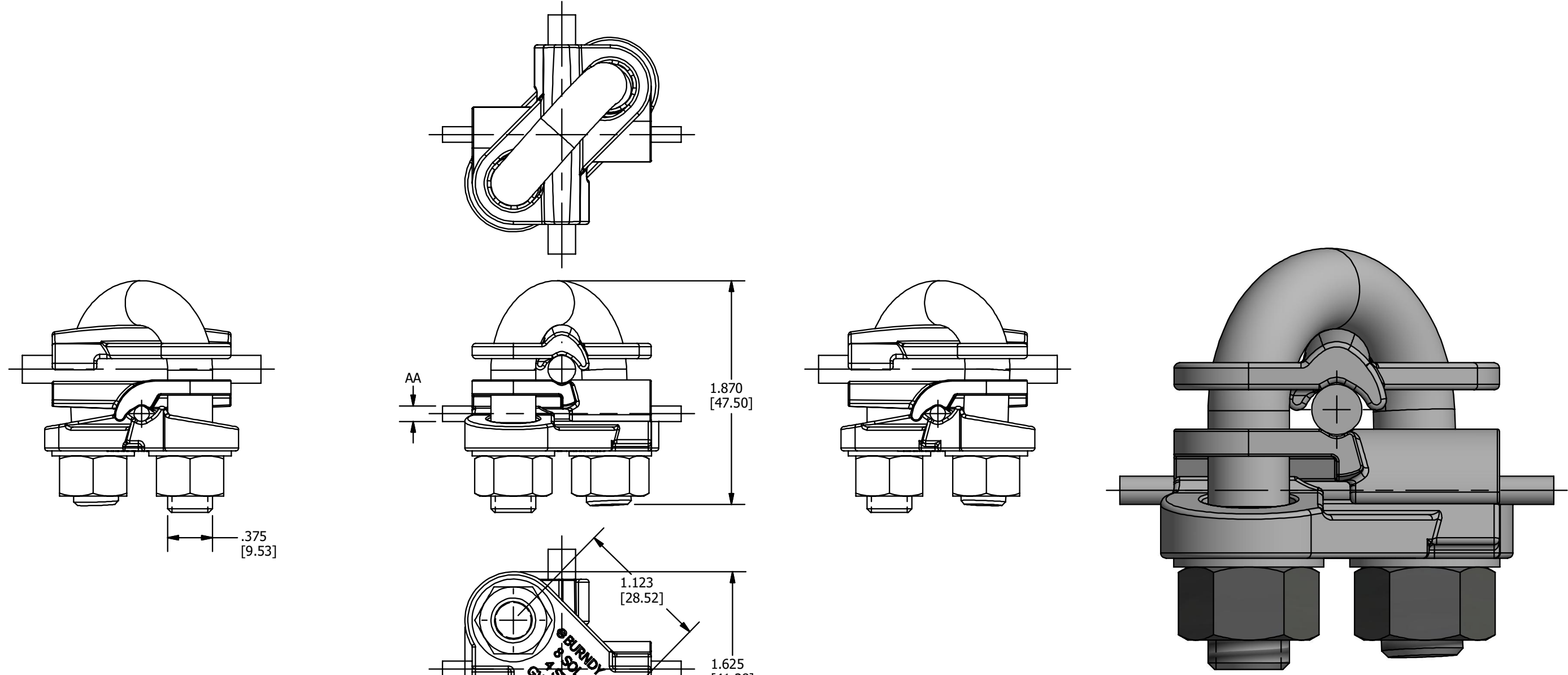


CONDUCTOR RANGE ACCOMMODATED																				TORQUE	
ROD ACCOMMODATED (A OR A-A)		"A"										"AA"									
		AWG				METRIC WIRE SIZE						AWG				METRIC WIRE SIZE					
NOMINAL DIAMETER (in)	ACTUAL DIAMETER		MIN		MAX		MIN		MAX		MIN		MAX		MIN		MAX		Lb*in	N*m	
	(in)	(mm)	SIZE	DIA	SIZE	DIA	SIZE	DIA	SIZE	DIA	SIZE	DIA	SIZE	DIA	SIZE	DIA	SIZE	DIA			
3/8	.375	[9.5]	8 SOL	.129	4 STR	.231	10mm2 SOL	3.6	16mm2 STR	5.1	8 SOL	.129	4 STR	.231	10mm2 SOL	3.6	16mm2 STR	5.1	240	27.0	

REV	DATE	DESCRIPTION	EC	BY	CHK.
A	03-22-2022	REDRAW	220401018718	TM	EM



- NOTE :-
1. MATERIAL: CAST COPPER ALLOY.  
BRONZE U-BOLTS & HEX NUTS.
  2. UL 467 LISTED, FILE NO. E9999.  
ACCEPTABLE FOR DIRECT BURIAL.
  3. DIMENSIONS IN BRACKETS [ ] ARE IN MILLIMETERS  
ROUNDED OFF TO THE NEAREST MILLIMETER,  
UNLESS OTHERWISE NOTED, AND ARE FOR REFERENCE ONLY.

TO ORDER BURNDY® PRODUCTS CALL		GROUND CROSS CONNECTOR	
UNITED STATES 1-800-346-4175 (LONDONDERRY, NH)		ITEM NO: 264262	
CANADA: 1-800-387-6487		CAT. NO: GX4C4C	
FOR PRODUCT INFO: <a href="http://www.burndy.com">http://www.burndy.com</a>		DRAWN BY: M.THAMARAI 03-31-2022	
		CHECKER: E.MARTIN 06-22-2022	
		DSN APRVL: E.MARTIN 06-22-2022	
		MFG APRVL: S.CARBONNEAU 10-26-2022	
		QA APRVL: D.LOCKE 07-20-2022	
		MKT APRVL: S.PARSONS 06-30-2022	
		PROD FAM: MECHANICAL GROUNDING	
		DRAWING NO	
		50127820	
		REV	
		A	
		SHEET 1 OF 1	

