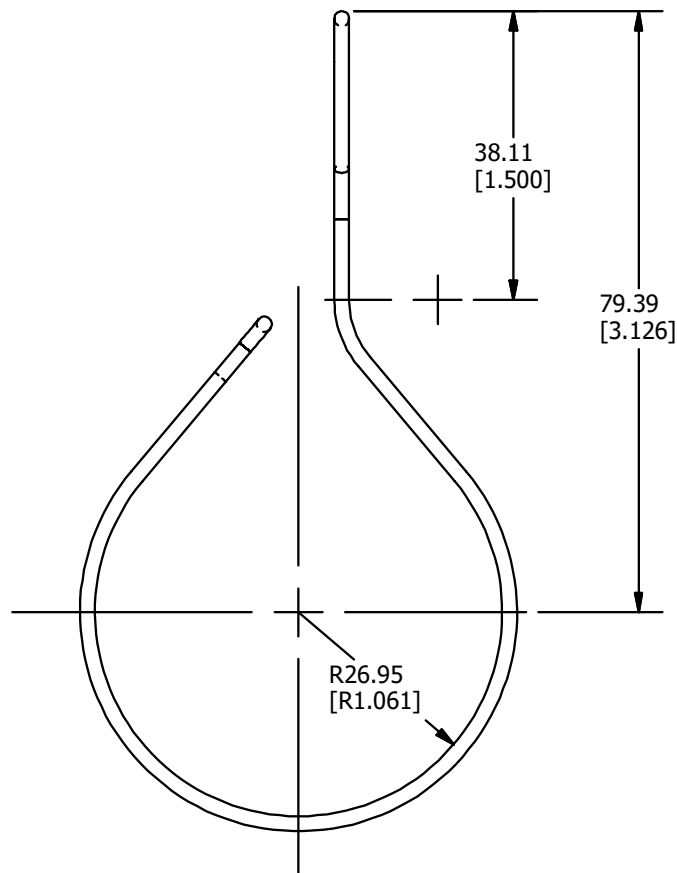
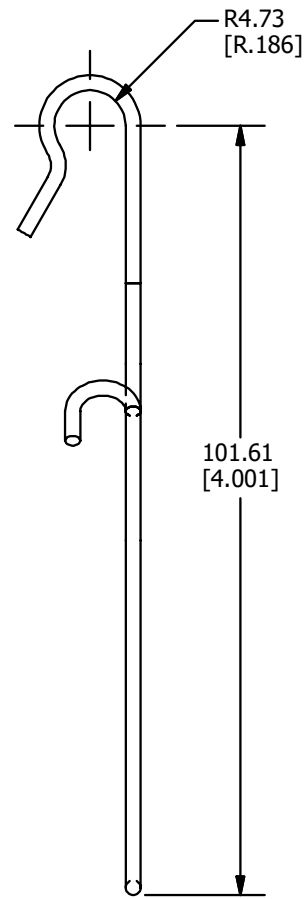
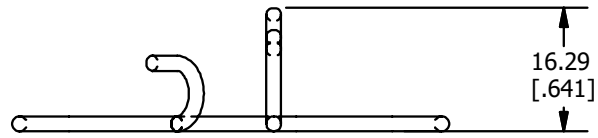


REV	DATE	DESCRIPTION	EC	BY	C'H'K.
A	04/26/2022	DRAWING CREATION	220426019509	TM	BM



NOTES:

- MATERIAL:**
WIRE COIL: 300 SERIES STAINLESS STEEL.
- DIMENSIONS IN BRACKETS [] ARE IN INCHES ROUNDED OFF TO THE NEAREST TENTH, UNLESS OTHERWISE SPECIFIED AND ARE FOR REFERENCE ONLY.

TO ORDER BURNDY® PRODUCTS CALL
 UNITED STATES
 1-800-346-4175 (LONDONDERRY, NH)
 CANADA:
 1-800-387-6487
 FOR PRODUCT INFO: <http://www.burndy.com>

CABLE HANGER	
ITEM NO: 50127837	
CAT. NO: WCH2H1090	
DRAWN BY: R.VASANTH	01-07-2022
CHECKER: E.MARTIN	05-11-2022
DSN APRVL: E.MARTIN	05-11-2022
MFG APRVL: --	
QA APRVL: --	
MKT APRVL: S.PARSONS	05-16-2022
PROD FAM: WILEY	
PROJECT #: FPN2112005	SIZE
DOCUMENT TYPE: SALES	B
REL LEVEL: Released	
DRAWING NO	REV
50128481	A
SHEET 1 OF 1	

