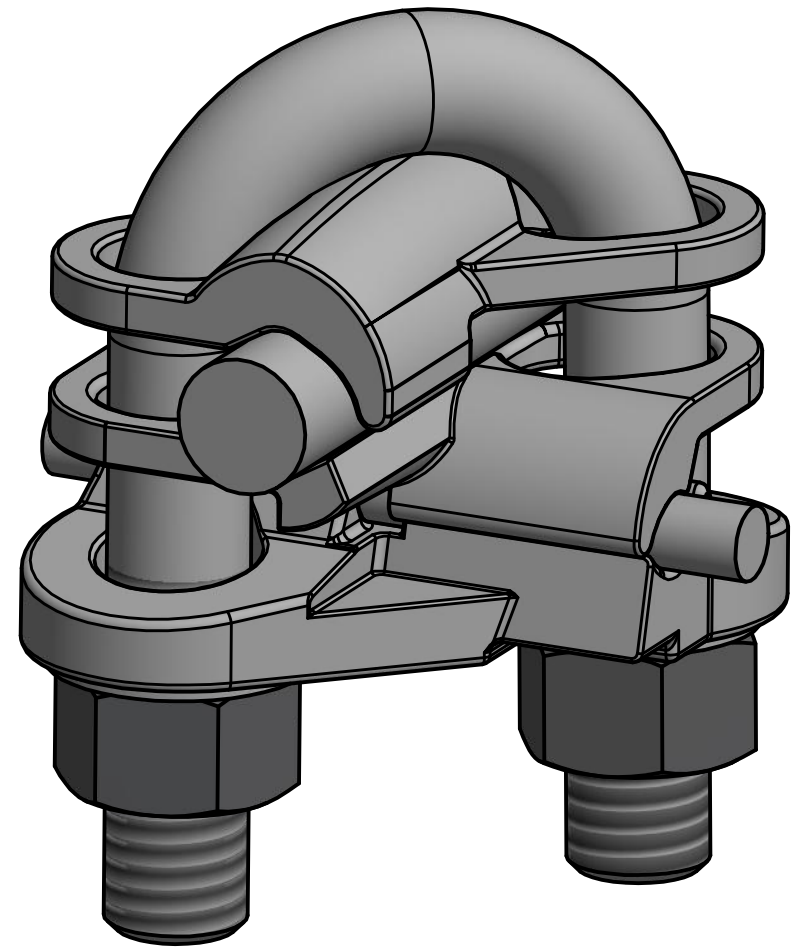
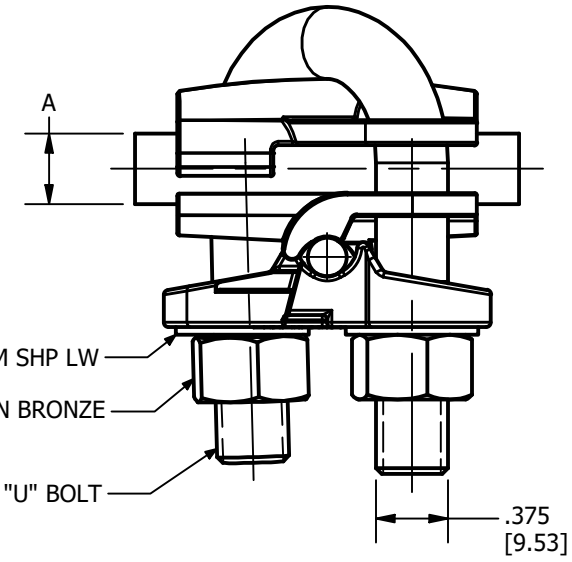
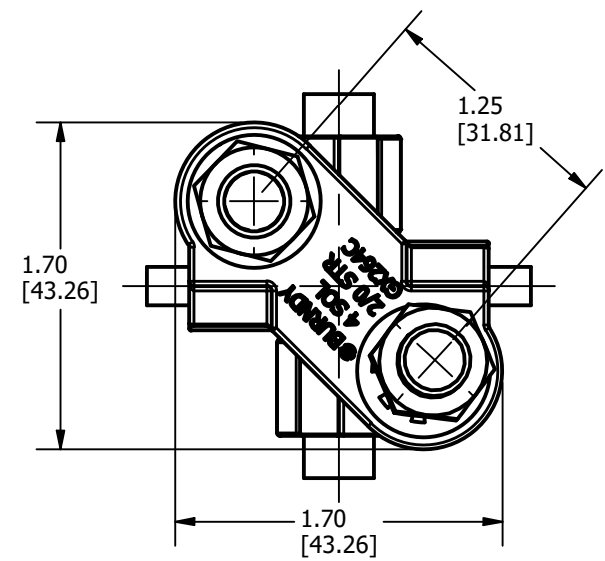
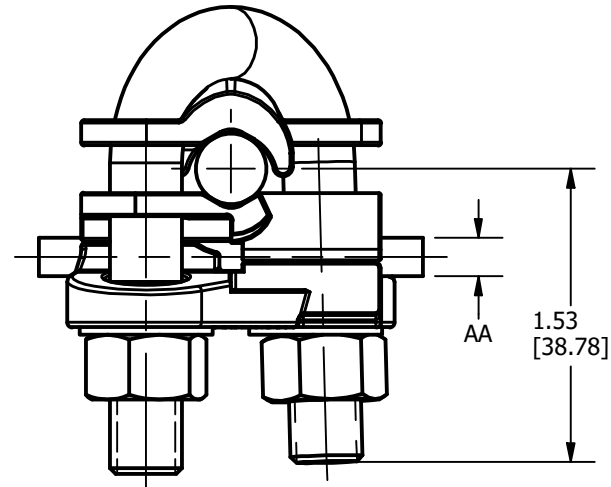
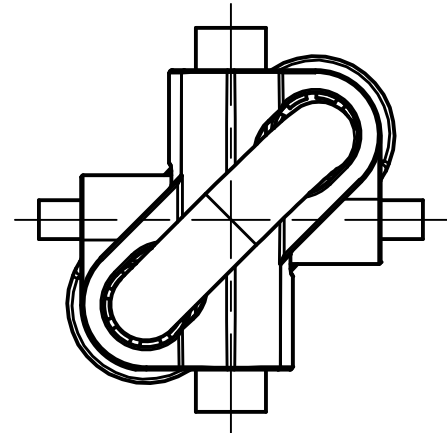


CONDUCTOR RANGE ACCOMMODATED																			TORQUE	
ROD ACCOMMODATED (A OR A-A)		"A"						"AA"												
		AWG		METRIC WIRE SIZE		AWG		METRIC WIRE SIZE												
NOMINAL DIAMETER (in)	ACTUAL DIAMETER		MIN		MAX		MIN		MAX		MIN		MAX		MIN		MAX		Lb*in	N*m
	(in)	(mm)	SIZE	DIA	SIZE	DIA	SIZE	DIA	SIZE	DIA	SIZE	DIA	SIZE	DIA	SIZE	DIA	SIZE	DIA		
3/8	.375	[9.5]	4 SOL	.204	2/0 STR	.418	25mm ² STR	6.5	50mm ² STR	9.3	8 SOL	.129	4 STR	.231	10mm ² SOL	3.6	16mm ² STR	5.1	240	27.0

REV	DATE	DESCRIPTION	EC	BY	C'H'K.
A	04/28/2022	REDRAW	220610021064	TM	EM



- NOTE :-
1. MATERIAL: CAST COPPER ALLOY.
BRONZE U-BOLTS & HEX NUTS.
 2. UL 467 LISTED, FILE NO. E9999.
ACCEPTABLE FOR DIRECT BURIAL.
 3. DIMENSIONS IN BRACKETS [] ARE IN MILLIMETERS
ROUNDED OFF TO THE NEAREST MILLIMETER,
UNLESS OTHERWISE NOTED, AND ARE FOR REFERENCE ONLY.

TO ORDER BURNDY® PRODUCTS CALL		GROUND CROSS CONNECTOR	
UNITED STATES 1-800-346-4175 (LONDONDERRY, NH)		ITEM NO: 264027	CAT. NO: GX264C
CANADA: 1-800-387-6487		DRAWN BY: M.THAMARAI 06-01-2022	CHECKER: EVAN MARTIN 01-09-2023
FOR PRODUCT INFO: http://www.burndy.com		DSN APRVL: EVAN MARTIN 01-09-2023	MFG APRVL: SAM CARBONNEAU 01-10-2023
		QA APRVL: DALE LOCKE 01-24-2023	MKT APRVL: SARAH PARSONS 01-18-2023
		PROD FAM: MECHANICAL GROUNDING	DRAWING NO: 50128489
		PROJECT #: --	SIZE: B
		DOCUMENT TYPE: SALES	REV: A
		REL LEVEL: Released	SHEET 1 OF 1

